



## RPI13 SERIES RECORD PLAYER

Ref. nr.: 102.060, 102.064, 102.065



INSTRUCTION MANUAL  
GEBRUIKSAANWIJZING  
BEDIENUNGSANLEITUNG  
MANUAL DE INSTRUCCIONES  
MANUEL D'INSTRUCTIONS  
INSTRUKCJA OBSŁUGI  
NÁVOD K POUŽITÍ

V1.0



# INDEX

|  |           |
|--|-----------|
| <b>ENGLISH</b> .....   | <b>4</b>  |
| UNPACKING INSTRUCTION.....   | 5         |
| POWERSUPPLY .....  | 5         |
| CONTROLS AND CONNECTIONS .....   | 5         |
| GETTING STARTED.....   | 6         |
| RECORD PLAYER.....   | 6         |
| BT STREAMING.....  | 6         |
| AUX IN.....  | 6         |
| USB.....   | 6         |
| <b>NEDERLANDS</b> .....  | <b>7</b>  |
| UITPAKKEN .....  | 8         |
| AANSLUITSPANNING .....   | 8         |
| BEDIENING .....  | 8         |
| AAN DE SLAG.....   | 9         |
| PLATENSPELER.....  | 9         |
| BT STREAMING.....  | 9         |
| AUX IN.....  | 9         |
| USB.....   | 10        |
| <b>DEUTSCH</b> .....   | <b>11</b> |
| AUSPACKEN .....  | 12        |
| NETZANSCHLUSS .....  | 12        |
| BEDIENUNG .....  | 12        |
| ERSTE SCHRITTE .....   | 13        |
| PLATTENSPIELER .....   | 13        |
| BT STREAMING.....  | 13        |
| AUX EINGANG .....  | 13        |
| USB.....   | 14        |
| <b>ESPAÑOL</b> .....   | <b>15</b> |
| INSTRUCCIONES DE DESEMBALAJE .....   | 16        |
| FUENTE DE ALIMENTACIÓN.....  | 16        |
| OPERACIÓN .....  | 16        |
| EMPEZANDO.....   | 17        |
| TOCADISCOS .....   | 17        |
| REPRODUCCIÓN BT .....  | 17        |
| AUX IN.....  | 17        |
| USB.....   | 18        |
| <b>FRANÇAIS</b> .....  | <b>19</b> |
| DEBALLAGE.....   | 20        |
| ALIMENTATION .....   | 20        |
| REGLAGES .....   | 20        |
| DEMARRER.....  | 21        |
| TOURNE-DISQUE .....  | 21        |
| LECTURE BT .....   | 21        |
| AUX IN.....  | 21        |
| USB.....   | 22        |
| <b>POLSKI</b> .....  | <b>23</b> |
| INSTRUKCJA ROZPAKOWANIA .....  | 24        |
| ZASILANIE .....  | 24        |
| STEROWANIE I POŁĄCZENIA.....   | 24        |
| ROZPOCZĘCIE PRACY.....   | 25        |
| GRAMOFON .....   | 25        |
| ODTWARZANIE BT.....  | 25        |
| AUX IN.....  | 25        |
| USB.....   | 26        |
| <b>ČESKY</b> .....   | <b>27</b> |
| POKYNY PO VYBALENÍ .....   | 28        |
| NAPÁJENÍ .....   | 28        |
| OVLÁDACÍ PRVKY A PŘIPOJENÍ .....   | 28        |
| ZAČÍNÁME .....   | 29        |
| GRAMOFONOVÝ PŘEHRÁVAČ.....   | 29        |
| BT STREAMING.....  | 29        |
| AUX IN.....  | 29        |
| USB.....   | 29        |
| <b>TECHNICAL SPECIFICATION / TECHNISCHE SPECIFICATIE / TECHNISCHE DATEN / SPECIFICACIONES TÉCNICAS / SPÉCIFICATIONS TECHNIQUES / SPECYFIKACJA TECHNICZNA / TECHNICKÁ SPECIFIKACE</b> ..... | <b>31</b> |

## ENGLISH

Congratulations to the purchase of this Audizio product. Please read this manual thoroughly prior to using the unit in order to benefit fully from all features.

Read the manual prior to using the unit. Follow the instructions in order not to invalidate the warranty. Take all precautions to avoid fire and/or electrical shock. Repairs must only be carried out by a qualified technician in order to avoid electrical shock. Keep the manual for future reference.

- Prior to using the unit, please ask advice from a specialist. When the unit is switched on for the first time, some smell may occur. This is normal and will disappear after a while.
- The unit contains voltage carrying parts. Therefore do NOT open the housing.
- Do not place metal objects or pour liquids into the unit. This may cause electrical shock and malfunction.
- Do not place the unit near heat sources such as radiators, etc. Do not place the unit on a vibrating surface. Do not cover the ventilation holes.
- The unit is not suitable for continuous use.
- Be careful with the mains lead and do not damage it. A faulty or damaged mains lead can cause electrical shock and malfunction.
- When unplugging the unit from a mains outlet, always pull the plug, never the lead.
- Do not plug or unplug the unit with wet hands.
- If the plug and/or the mains lead are damaged, they need to be replaced by a qualified technician.
- If the unit is damaged to such an extent that internal parts are visible, do NOT plug the unit into a mains outlet and DO NOT switch the unit on. Contact your dealer. Do NOT connect the unit to a rheostat or dimmer.
- To avoid fire and shock hazard, do not expose the unit to rain and moisture.
- All repairs should be carried out by a qualified technician only.
- Connect the unit to an earthed mains outlet (220-240Vac/50Hz) protected by a 10-16A fuse.
- During a thunderstorm or if the unit will not be used for a longer period of time, unplug it from the mains. The rule is: Unplug it from the mains when not in use.
- If the unit has not been used for a longer period of time, condensation may occur. Let the unit reach room temperature before you switch it on. Never use the unit in humid rooms or outdoors.
- To prevent accidents in companies, you must follow the applicable guide lines and follow the instructions.
- Do not repeatedly switch the fixture on and off. This shortens the life time.
- Keep the unit out of the reach of children. Do not leave the unit unattended.
- Do not use cleaning sprays to clean switches. The residues of these sprays cause deposits of dust and grease. In case of malfunction, always seek advice from a specialist.
- Do not force the controls.
- This unit is with speaker inside which can cause magnetic field. Keep this unit at least 60cm away from computer or TV.
- If this product have a built-in lead-acid rechargeable battery. Please recharge the battery every 3 months if you are not going to use the product for a long period of time. Otherwise, the battery may be permanently damaged.
- If the battery is damaged please replace with same specifications battery. And dispose the damaged battery environment friendly.
- If the unit has fallen, always have it checked by a qualified technician before you switch the unit on again.
- Do not use chemicals to clean the unit. They damage the varnish. Only clean the unit with a dry cloth.
- Keep away from electronic equipment that may cause interference.
- Only use original spares for repairs, otherwise serious damage and/or dangerous radiation may occur.
- Switch the unit off prior to unplugging it from the mains and/or other equipment. Unplug all leads and cables prior to moving the unit.
- Make sure that the mains lead cannot be damaged when people walk on it. Check the mains lead before every use for damages and faults!
- The mains voltage is 220-240Vac/50Hz. Check if power outlet match. If you travel, make sure that the mains voltage of the country is suitable for this unit.
- Keep the original packing material so that you can transport the unit in safe conditions.



This mark attracts the attention of the user to high voltages that are present inside the housing and that are of sufficient magnitude to cause a shock hazard.



This mark attracts the attention of the user to important instructions that are contained in the manual and that he should read and adhere to.

The unit has been certified CE. It is prohibited to make any changes to the unit. They would invalidate the CE certificate and their guarantee!

**NOTE:** To make sure that the unit will function normally, it must be used in rooms with a temperature between 5°C/41°F and 35°C/95°F.



Electric products must not be put into household waste. Please bring them to a recycling centre. Ask your local authorities or your dealer about the way to proceed. The specifications are typical. The actual values can slightly change from one unit to the other. Specifications can be changed without prior notice.


*Do not attempt to make any repairs yourself. This would invalid your warranty. Do not make any changes to the unit. This would also invalid your warranty. The warranty is not applicable in case of accidents or damages caused by inappropriate use or disrespect of the warnings contained in this manual. Audizio cannot be held responsible for personal injuries caused by a disrespect of the safety recommendations and warnings. This is also applicable to all damages in whatever form.*

## UNPACKING INSTRUCTION

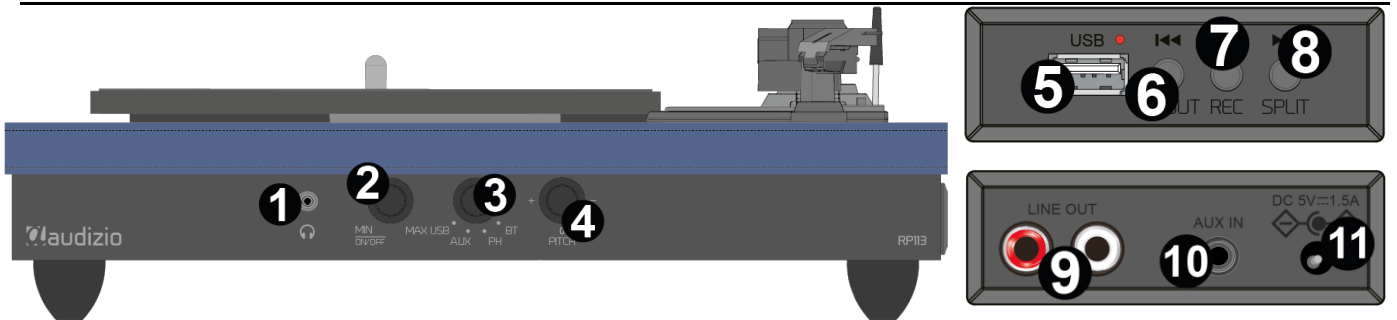
**CAUTION!** Carefully unpack the box upon receipt. Check the contents to ensure that all parts are present and have been received in good condition. Notify the shipper immediately and retain packaging material if any parts appear damaged from shipping or the package itself shows signs of mishandling. Save the package and all packaging materials. If the product must be returned, it is important that the product is returned in the original factory box and packaging. If the device has been exposed to drastic temperature fluctuation (e.g. after transportation), do not switch it on immediately. The arising condensation water might damage your device. Leave the device switched off until it has reached room temperature.

## POWERSUPPLY

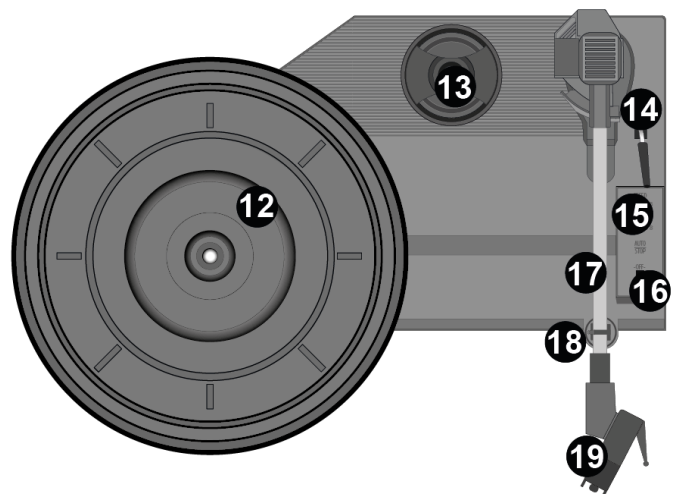
The label on the back/under side of the product indicates the mains voltage to which it must be connected. Check that the mains voltage corresponds to this. Any other voltage than the one indicated may cause irreparable damage to the unit. The unit must also be connected directly to the mains voltage and no dimmer or adjustable power supply may be used.

 Always connect the device to a protected circuit (circuit breaker or fuse). Make sure the device has an appropriate electrical ground to avoid the risk of electrocution or fire.

## CONTROLS AND CONNECTIONS



- 1. Headphone output**  
3.5mm headphone output jack
- 2. On/off and volume control**  
Rotate to turn the device on/off and to adjust the volume level
- 3. Mode**  
Rotate to change modes (USB, AUX, Phono, BT streaming)
- 4. Pitch**  
Rotate to control the pitch (turntable speed)
- 5. USB slot**
- 6. Previous / BT out**  
Press to change to the previous track when in USB-, AUX- and BT mode  
Press in Phono mode to enable a connection with a BT speaker or -headphones
- 7. Play/pause / REC**  
Press to (re)start or pause play in USB-, AUX- and BT mode  
Press in Phono mode to record the vinyl play on a USB stick (when inserted)
- 8. Next / split**  
Press to skip to the next track when in USB-, AUX- and BT mode. Press when recording vinyl play on a USB stick to cut off and save the current file and generate another save file
- 9. Line output**  
RCA connector line output to connect external speakers (not included)
- 10. AUX input**  
3.5 mm auxiliary input jack
- 11. DC 5V IN**  
5V power socket for connecting the supplied power adapter
- 12. Platter**
- 13. 45rpm adapter**  
This adapter allows you to play 45RPM records
- 14. Tone arm lever**  
Use to raise/lower the tone arm
- 15. 33 / 45 / 78 RPM switch**  
Use to adjust the RPM of the turntable platter
- 16. Autostop switch ON/OFF**  
This switch turns the auto stop-function on/off. When the automatic stop is enabled, the platform will start rotating as soon as the tone arm is placed over the record and will stop rotating when it has reached the end of the record. Some vinyl records stop before the end or do not stop when the end is reached. In this case set Auto-stop to OFF
- 17. Tone arm**
- 18. Arm clip**  
This arm clip secures the tonearm while at rest or when not in use. The arm clip has been designed to remain in the up position whilst unlocked



## 19. Stylus cartridge

Cartridge containing the stylus/needle

---

## GETTING STARTED

- Remove the radio record player from the package box.
- Plug in the power adapter and turn on the device.

**Caution:** Use only the adaptor supplied with the unit. Connecting a power supply with a different rating can cause permanent damage to the unit and may be hazardous.

---

## RECORD PLAYER

- Rotate the mode switch to select Phono mode.
- Place the record on the turntable. If required, place the 45rpm adapter on the record spindle.
- Choose the desired playing speed using the speed selection switch (33-, 45- or 78rpm).
- Rotate the on/off and volume control clockwise to turn on the unit.
- Make sure that any protective cover is removed from the stylus.
- Unlock the tone arm by releasing the tone arm clip.
- Raise the arm by using the tone arm lever.
- Place the stylus vertically over the first track of the record, the turntable will start turning automatically.
- Lower the stylus slowly onto the record by using the tone arm lever.
- When a record comes to the end, the turntable will stop automatically if the auto-stop switch is in the ON position. If the switch is in the off position then it will keep turning until the switch is set in the ON position.
  - \* Some vinyl records stop before the end or do not stop when the end is reached. In this case set Auto-stop to OFF.
- Lift up the tone arm and put it on the rest when finished, always using the tone arm lever.
- Lock the tone arm by closing the tone arm clip.
- Re-attach the stylus cover.
- Turn off the power.

---

## BT STREAMING

Before transmission between your BT device and the radio is possible, both devices must be coupled. This process is called "pairing". The radio is served as a receiver, to receive the music stream to be played on the radio.

If you have already coupled to a BT device before, this connection will be restored automatically when both devices are in range and BT operation has been selected on the radio. "Pairing" does not have to be repeated. This function may need to be activated in your BT device, however.

- Set the mode switch to BT mode. The LED indicator will blink in blue color.
- Turn on the BT streaming function on your device. The device will scan for pairable BT devices in the reception range.
- Select "Audizio RP113" from the list with found devices.
- After pairing, the LED will light up continuously. You can now play your music from your device, using the turntable player as speaker.

This device also features a BT transmitter, meaning that it is possible to play sound from the turntable player via BT to, for example, a BT speaker or wireless headphones.

When in phono mode, press the "previous" button: the indicator light will blink in red color. Then, turn on the BT streaming function of the speaker or headphones and start pairing. If the connection is successful, the indicator stops blinking. Now, the vinyl playback will be transmitted to the speaker or headphones wirelessly. Turn the volume control knob of the speaker or press the volume control buttons of the headphones to adjust the volume. The volume control knob of the record player is now blocked.

**Note:** When the turntable is being used as a BT speaker, all other playback functions cannot be used at the same time.

---

## AUX IN

You can listen to the music stored in other audio device or smart phone via the radio, through the connection to the 3.5 mm aux-in jack on the front side. Use a cable with 3.5 mm pins at both ends, one end connected to the aux-in jack on the radio, the other end connected to the earphone jack on the audio device (or line out socket if available).

Set the mode switch to AUX mode. Play music on the connected device, the sound will be emitted from the radio.

---

## USB

**Playback:** Insert your USB drive in the USB slot. The device will automatically start playing the files. Press "previous" or "next" to choose the previous/next track. Press play/pause to (re)start/pause playback.

**Record:**

- Insert your USB drive in the USB slot.
- Start vinyl playback in Phono mode.
- During the vinyl records playback, press "REC". The indicator will blink in red and blue colors.
- Press "split" when recording, the current record will be cut off and stored in a file automatically. Press "split" again and another file will be generated.
- Press "REC" to stop the recording.

## NEDERLANDS

Hartelijk dank voor de aanschaf van dit Audizio product. Neemt u a.u.b. een paar momenten de tijd om deze handleiding zorgvuldig te lezen, aangezien wij graag willen dat u onze producten snel en volledig gebruikt.

Lees deze handleiding eerst door alvorens het product te gebruiken. Volg de instructies op anders zou de garantie wel eens kunnen vervallen. Neem ook altijd alle veiligheidsmaatregelen om brand en/of een elektrische schok te voorkomen. Tevens is het ook raadzaam om reparaties / modificaties e.d. over te laten aan gekwalificeerd personeel om een elektrische schok te voorkomen. Bewaar deze handleiding ook voor toekomstig gebruik.

- Bewaar de verpakking zodat u indien het apparaat defect is, dit in de originele verpakking kunt opsturen om beschadigingen te voorkomen.
- Voordat het apparaat in werking wordt gesteld, altijd eerst een deskundige raadplegen. Bij het voor de eerste keer inschakelen kan een bepaalde reuk optreden. Dit is normaal en verdwijnt na een poos.
- In het apparaat bevinden zich onder spanning staande onderdelen; open daarom NOOIT dit apparaat.
- Plaats geen metalen objecten en mors geen vloeistof in het effect. Dit kan leiden tot elektrische schokken of defecten.
- Toestel niet opstellen in de buurt van warmtebronnen zoals radiatoren etc. en niet op een vibrerende onder- grond plaatsen. Dek ventilatieopeningen nooit af.
- Het apparaat is niet geschikt voor continu gebruik.
- Wees voorzichtig met het netsnoer en beschadig deze niet. Als het snoer kapot of beschadigd is, kan dit leiden tot elektrische schokken of defecten.
- Als u de stekker uit het stopcontact neemt, trek dan niet aan het snoer, maar aan de stekker.
- Om brand of elektrische schok te voorkomen, dient u dit apparaat niet bloot te stellen aan regen of vocht.
- Verwijder of plaats een stekker nooit met natte handen resp. uit en in het stopcontact.
- Indien zowel de stekker en/of netsnoer als snoeringang in het apparaat beschadigd zijn dient dit door een vakman hersteld te worden.
- Indien het apparaat zo beschadigd is dat inwendige (onder)delen zichtbaar zijn mag de stekker NOOIT in het stopcontact worden geplaatst en het apparaat NOOIT worden ingeschakeld. Neem in dit geval contact op met de dealer.
- Sluit het apparaat nooit op een dimmer aan.
- Reparatie aan het apparaat dient te geschieden door een vakman of een deskundige.
- Sluit het apparaat alleen aan op een 220-240VAC / 50Hz (geaard) stopcontact, verbonden met een 10-16A meterkastgroep.
- Bij onweer altijd de stekker uit het stopcontact halen, zo ook wanneer het apparaat voor een langere tijd niet gebruikt wordt. Stelregel: Bij geen gebruik stekker verwijderen.
- Als u het apparaat lang niet gebruikt heeft en het weer wil gebruiken kan er condens ontstaan; laat het apparaat eerst op kamertemperatuur komen alvorens het weer in werking te stellen.
- Apparaat nooit in vochtige ruimten en buiten gebruiken.
- Om ongevallen in bedrijven te voorkomen moet rekening worden gehouden met de daarvoor geldende richtlijnen en moeten de aanwijzingen/waarschuwingen worden gevolgd.
- Het apparaat buiten bereik van kinderen houden. Bovendien mag het apparaat nooit onbeheerd gelaten worden.
- Gebruik geen schoonmaakspray om de schakelaars te reinigen. Restanten van deze spray zorgen ervoor dat smeer en stof ophopen. Raadpleeg bij storing te allen tijde een deskundige.
- Gebruik geen overmatige kracht bij het bedienen van het apparaat.
- Dit apparaat kan magnetisch veld veroorzaken. Houd dit apparaat ten minste 60 cm afstand van de computer of tv.
- Indien dit apparaat beschikt over een loodaccu, dient deze tenminste elke 3 maanden opgeladen te worden indien deze voor een langere periode niet wordt gebruikt anders bestaat de kans dat de accu permanent beschadigd.
- Bij een ongeval met dit product altijd eerst een deskundige raadplegen alvorens opnieuw te gebruiken.
- Tracht het apparaat niet schoon te maken met chemische oplossingen. Dit kan de lak beschadigen. Gebruik een droge doek om schoon te maken.
- Blijf uit de buurt van elektronische apparatuur die bromstoringen zouden kunnen veroorzaken.
- Bij reparatie dienen altijd originele onderdelen te worden gebruikt om onherstelbare beschadigingen en/of ontoelaatbare straling te voorkomen.
- Schakel eerst het toestel uit voordat u het netsnoer verwijdert. Verwijder netsnoer en aansluitsnoeren voordat u dit product gaat verplaatsen.
- Zorg ervoor dat het netsnoer niet beschadigd/defect kan raken wanneer mensen erover heen lopen. Het netsnoer vóór ieder gebruik controleren op breuken/defecten!
- In Nederland/België is de netspanning 220-240Vac/50Hz. Indien u reist (en u neemt het apparaat mee) informeer dan naar de netspanning in het land waar u verblijft.



Deze markering wordt weergegeven om u erop attent te maken dat een levensgevaarlijke spanning in het product aanwezig is en dat bij aanraking van deze delen een elektrische schok wordt verkregen.



Deze instructiemarkering wordt weergegeven om u erop te wijzen dat de instructie zeer belangrijk is om te lezen en/of op te volgen.

**OPMERKING:** Om zeker te zijn van een correcte werking, dient u dit apparaat in een ruimte te gebruiken waar de temperatuur tussen de 5°C/41°F en 35°C/95°F ligt.



Raadpleeg eventueel [www.wecycle.nl](http://www.wecycle.nl) en/of [www.vrom.nl](http://www.vrom.nl) v.w.b. het afhandelen van elektronische apparaten in het kader van de WEEE-regeling. Vele artikelen kunnen worden gerecycled, gooi ze daarom niet bij het huisvuil maar lever ze in bij een gemeentelijk depot of uw dealer. Lever ook afgedankte batterijen in bij uw gemeentelijk depot of bij de dealer, zie [www.stibat.nl](http://www.stibat.nl)

*Alle (defecte) artikelen dienen gedurende de garantieperiode altijd retour te worden gezonden in de originele verpakking. Voer zelf geen reparaties uit aan het toestel; in elk geval vervalt de totale garantie. Ook mag het toestel niet eigenmachtig worden gemodificeerd, ook in dit geval vervalt de totale garantie. Ook vervalt de garantie bij ongevallen en beschadigingen in elke vorm t.g.v. onoordeelkundig gebruik en het niet in acht nemen van het gestelde in deze gebruiksaanwijzing. Tevens aanvaardt Audizio geen enkele aansprakelijkheid in geval van persoonlijke ongelukken als gevolg van het niet naleven van veiligheidsinstructies en waarschuwingen. Dit geldt ook voor gevolgschade in welke vorm dan ook.*

## UITPAKKEN

**LET OP!** Pak na ontvangst de doos zorgvuldig uit. Controleer of alle onderdelen aanwezig- en in goede staat ontvangen zijn. Bij transportschade of bij het ontbreken van onderdelen onmiddellijk de verkopende partij inlichten. Bewaar de verpakking en het verpakkingsmateriaal. Indien het product moet worden teruggestuurd, is het belangrijk dat het product in originele verpakking wordt geretourneerd. Schakel het apparaat niet onmiddellijk in als het apparaat is blootgesteld aan drastische temperatuurverschillen (bv. na het transport). De ontstane condensatie kan het apparaat beschadigen. Zorg ervoor dat het apparaat eerst op kamertemperatuur komt alvorens het aan te sluiten.

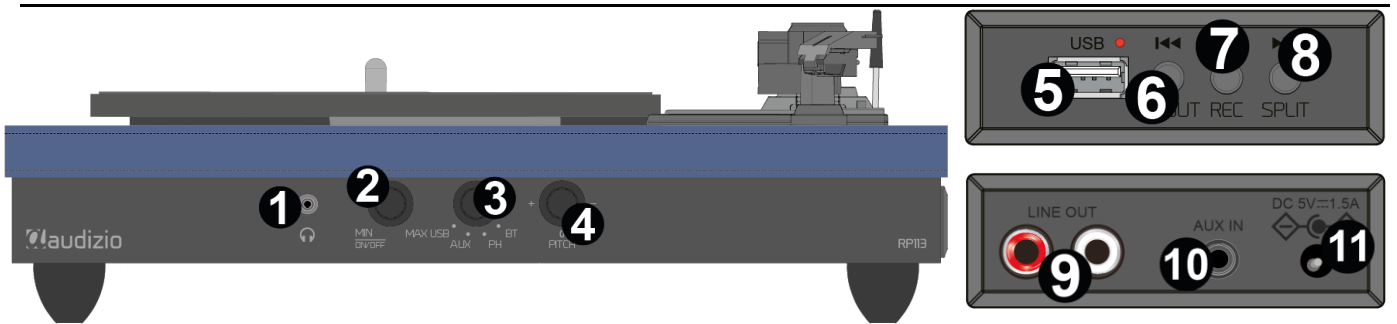
## AANSLUITSPANNING

Op het label aan de achterzijde van het product staat aangegeven op welke netspanning deze moet worden aangesloten. Controleer of de netspanning hiermee overeenkomt, bij alle andere netspanningen dan aangegeven kan het apparaat onherstelbaar worden beschadigd. Tevens moet het apparaat direct op de netspanning worden aangesloten en mag géén dimmer of regelbare voeding worden gebruikt.

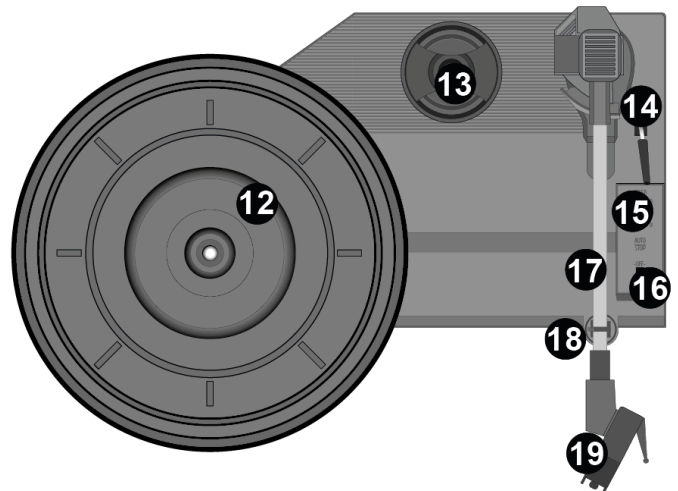


Sluit het apparaat altijd aan op een beschermd circuit (aardlekschakelaar of zekering). Zorg ervoor dat het apparaat voldoende elektrisch is geaard om het risico op elektrocutie of brand te vermijden.

## BEDIENING



- 1. Hoofdtelefoonuitgang**  
3,5 mm hoofdtelefoonuitgang
- 2. Aan/uit en volumeregelaar**  
Draaien om het apparaat aan/uit te zetten en het volume aan te passen
- 3. Modus**  
Draaien om van modus te veranderen (USB, AUX, Phono, BT streaming)
- 4. Pitch**  
Draaien om de pitch (draaisnelheid) te regelen
- 5. USB**
- 6. Vorige / BT out**  
Drukken om naar het vorige nummer te gaan in USB-, AUX- en BT-modus  
Druk in Phono-modus om een verbinding met een BT-luidspreker of -hoofdtelefoon mogelijk te maken
- 7. Afspelen/pauzeren / REC**  
Drukken om het afspelen te (her)starten of te pauzeren in USB-, AUX- en BT-modus  
Druk in Phono-modus om het vinylspel op te nemen op een USB-stick (indien geplaatst)
- 8. Volgende / split**  
Druk hierop om naar het volgende nummer te gaan in USB-, AUX- en BT-modus. Druk hierop bij het opnemen van vinylweergave op een USB-stick om het huidige bestand af te snijden en op te slaan en een ander opslagbestand te genereren
- 9. Lijnuitgang**  
RCA-connector lijnuitgang voor aansluiting van externe luidsprekers (niet meegeleverd)
- 10. AUX ingang**  
3,5 mm aux-ingangsaansluiting
- 11. DC 5V IN**  
5V voedingsaansluiting voor het aansluiten van de meegeleverde voedingsadapter
- 12. Draaitafel**
- 13. 45rpm adapter**  
Met deze adapter kun je 45RPM platen afspelen
- 14. Toonarm hendel**  
Gebruik om de toonarm te verhogen/verlagen
- 15. 33 / 45 / 78 RPM schakelaar**  
Voor het instellen van het toerental van de draaitafel
- 16. Autostop-schakelaar AAN/UIT**  
Deze schakelaar zet de automatische stop-functie aan/uit. Wanneer de automatische stop is ingeschakeld, begint het platform te draaien zodra de toonarm over de plaat wordt geplaatst en stopt het met draaien wanneer het het einde van





de plaat heeft bereikt. Sommige vinylplaten stoppen voor het einde of stoppen niet wanneer het einde is bereikt. Stel in dat geval Auto-stop in op OFF

#### 17. Toonarm

#### 18. Toonarm klem

Deze armklem zet de toonarm vast wanneer deze in rust is of niet wordt gebruikt. De armklem is ontworpen om in de opwaartse positie te blijven terwijl hij ontgrendeld is

#### 19. Stylus cartridge

Patroon met de naald

## AAN DE SLAG

---

• Haal de platenspeler uit de verpakkingendoos.

• Sluit de stroomadapter aan en zet het apparaat aan.

**Let op:** Gebruik alleen de bij de radio geleverde adapter. Het aansluiten van een voeding met een andere rating kan permanente schade aan de radio veroorzaken en kan gevaarlijk zijn.

## PLATENSPELER

---

• Draai de modusschakelaar om de Phono-modus te selecteren.

• Plaats de plaat op de draaitafel. Plaats indien nodig de 45-toeren adapter op de platenspeler.

• Kies de gewenste afspeelsnelheid met de snelheidskeuzeschakelaar (33-, 45- of 78-toeren).

• Draai de aan/uit- en volumeknop met de klok mee om het toestel in te schakelen.

• Zorg ervoor dat de beschermkap van de stylus is verwijderd.

• Ontgrendel de toonarm door de toonarmklem los te maken.

• Breng de arm omhoog met behulp van de toonarmhendel.

• Plaats de naald boven de plaat, de draaitafel begint automatisch te draaien.

• Laat de naald langzaam op de plaat zakken met behulp van de toonarmhendel.

• Als een plaat het einde bereikt, stopt de draaitafel automatisch als de auto-stopschakelaar op ON staat. Als de schakelaar in de uit-stand staat, blijft hij draaien totdat de schakelaar in de AAN-stand wordt gezet.

\* Sommige vinylplaten stoppen voor het einde of stoppen niet wanneer het einde is bereikt. Stel in dat geval Auto-stop in op OFF.

• Til de toonarm op en zet hem op de steun wanneer u klaar bent, altijd met behulp van de toonarmhendel.

• Vergrendel de toonarm door de toonarmklem te sluiten.

• Plaats de beschermkap van de stylus terug.

• Schakel het apparaat uit.

## BT STREAMING

---

Voordat transmissie tussen uw BT-apparaat en de radio mogelijk is, moeten beide apparaten gekoppeld worden. Dit proces wordt "pairing" genoemd. De radio dient als ontvanger, om de muziekstroom te ontvangen die op de radio moet worden afgespeeld. Als u al eerder met een BT-apparaat hebt gekoppeld, wordt deze verbinding automatisch hersteld wanneer beide apparaten binnen bereik zijn en de BT-bediening op de radio is geselecteerd. "Koppelen" hoeft niet te worden herhaald. Deze functie moet mogelijk wel geactiveerd worden op uw BT-apparaat.

• Zet de modusschakelaar op BT-modus. De LED-indicator zal in blauwe kleur knipperen.

• Zet de BT-streamingfunctie op uw apparaat aan. Het apparaat zoekt naar koppelbare BT-apparaten in het ontvangstbereik.

• Selecteer "Audizio RP113" uit de lijst met gevonden apparaten.

• Na het koppelen gaat de LED continu branden. U kunt nu uw muziek afspelen vanaf uw apparaat, met de platenspeler als luidspreker.

Dit apparaat beschikt ook over een BT-zender, wat betekent dat het mogelijk is om het geluid van de platenspeler via BT af te spelen op bijvoorbeeld een BT-luidspreker of een draadloze hoofdtelefoon.

Druk in de Phono-modus op de "vorige" toets: het indicatielampje knippert in rode kleur. Schakel vervolgens de BT streaming functie van de luidspreker of hoofdtelefoon in en start de koppeling. Als de verbinding succesvol is, stopt het indicatielampje met knipperen. Het afspelen van vinyl wordt nu draadloos naar de luidspreker of de hoofdtelefoon gestuurd. Draai aan de volumeknop van de luidspreker of druk op de volumeknoppen van de hoofdtelefoon om het volume aan te passen. De volumeknop van de platenspeler is nu geblokkeerd.

**Opmerking:** Wanneer de platenspeler als BT-luidspreker wordt gebruikt, kunnen alle andere afspeelfuncties niet tegelijkertijd worden gebruikt.

## AUX IN

---

U kunt via de radio naar de muziek luisteren die op een ander audioapparaat of smartphone is opgeslagen, via de 3,5 mm aux-in aansluiting aan de voorkant. Gebruik een kabel met 3,5 mm aansluitpennen aan beide uiteinden, het ene uiteinde aangesloten op de aux-in aansluiting van de radio, het andere uiteinde aangesloten op de oortelefoonaansluiting van het audioapparaat (of lijnuitgang indien beschikbaar). Zet de modusschakelaar op AUX-modus.

Speel muziek af op het aangesloten apparaat, het geluid zal worden weergegeven door de radio.

## USB

---

Afspelen: Plaats uw USB-station in de USB-sleuf. Het apparaat begint automatisch de bestanden af te spelen. Druk op "vorige" of "volgende" om het vorige/volgende nummer te kiezen. Druk op play/pause om het afspelen te (her)starten/pauzeren.

Opnemen:

- Plaats uw USB-station in de USB-sleuf.
- Start het afspelen van vinyl in de Phono-modus.
- Druk tijdens het afspelen van de vinylplaten op "REC". De indicator knippert in de kleuren rood en blauw.
- Druk op "split" tijdens het opnemen, de huidige opname wordt afgesneden en automatisch in een bestand opgeslagen. Druk nogmaals op "split" en een ander bestand wordt gegenereerd.
- Druk op "REC" om de opname te stoppen.

## DEUTSCH

Vielen Dank für den Kauf dieses Audiziosgeräts. Nehmen Sie sich einen Augenblick Zeit, um diese Anleitung sorgfältig durchzulesen, damit Sie die Möglichkeiten, die unser Produkt bietet, sofort voll ausnutzen können.

Lesen Sie erst die Anleitung vollständig vor der ersten Inbetriebnahme durch. Befolgen Sie die Anweisung, da sonst jeglicher Garantieanspruch verfällt. Treffen Sie stets alle Sicherheitsvorkehrungen um Feuer und/oder Stromschlag zu vermeiden. Reparaturen dürfen nur von qualifiziertem Fachpersonal ausgeführt werden, um Stromschlag zu vermeiden. Bewahren Sie diese Anleitung für spätere Bezugnahme auf.

- Bewahren Sie die Verpackung auf, um das Gerät im Bedarfsfall sicher transportieren zu können.
  - Bevor das Gerät in Betrieb genommen wird, muss es erst von einem Fachmann überprüft werden. Bei der ersten Benutzung kann etwas Geruch auftreten. Das ist normal und verschwindet nach einer Weile
  - Das Gerät enthält unter Spannung stehende Teile. Daher NIEMALS das Gehäuse öffnen.
  - Keine Metallgegenstände oder Flüssigkeiten ins Gerät dringen lassen. Sie können zu Stromschlag und Defekten führen.
  - Gerät nicht in der Nähe von Wärmequellen wie Heizkörpern aufstellen. Nicht auf eine vibrierende Oberfläche stellen. Niemals die Belüftungsschlitze abdecken.
  - Das Gerät ist nicht für Dauerbetrieb geeignet.
  - Gehen Sie vorsichtig mit dem Netzkabel um und beschädigen Sie es nicht. Eine beschädigte Netzschnur kann zu Stromschlag und Defekten führen.
  - Wenn Sie das Gerät vom Netz trennen, immer am Stecker ziehen, niemals an der Schnur.
  - Um Feuer und Stromschlag zu vermeiden, das Gerät vor Regen und Feuchtigkeit schützen.
  - Den Stecker nie mit nassen Händen in eine Netzsteckdose stecken oder abziehen.
  - Wenn sowohl der Stecker und/oder die Netzschnur bzw. der Kabeleintritt ins Gerät beschädigt sind, müssen sie von einem Fachmann repariert werden.
  - Wenn das Gerät so beschädigt ist, dass Innenteile sichtbar sind, darf der Stecker NICHT in eine Steckdose gesteckt werden und das Gerät darf NICHT eingeschaltet werden. Wenden Sie sich in dem Fall an Ihren Fachhändler. Das Gerät darf nicht an einen Dimmer angeschlossen werden.
  - Reparaturen dürfen nur von einem Fachmann oder Sachverständigen ausgeführt werden.
  - Das Gerät nur an eine geerdete 10-16A Netzsteckdose mit 220-240V AC/50Hz Spannung anschließen.
  - Bei Gewitter oder längerem Nichtgebrauch den Netzstecker abziehen. Die Regel gilt: Bei Nichtgebrauch Netzstecker abziehen.
  - Wenn das Gerät längere Zeit nicht benutzt wurde, kann sich Kondenswasser gebildet haben. Lassen Sie das Gerät erst auf Zimmertemperatur kommen, bevor Sie es einschalten.
- Das Gerät nicht in feuchten Räumen oder im Freien benutzen.
  - Um Unfällen in der Öffentlichkeit vorzubeugen, müssen die geltenden Richtlinien beachtet und die Anweisungen/Warnungen befolgt werden.
  - Niemals das Gerät kurz hintereinander ein- und ausschalten. Dadurch verkürzt sich die Lebensdauer erheblich.
  - Das Gerät außerhalb der Reichweite von Kindern halten. Das Gerät niemals unbeaufsichtigt lassen.
  - Die Regler nicht mit Reinigungssprays reinigen. Diese hinterlassen Rückstände, die zu Staub- und Fettansammlungen führen. Bei Störungen immer einen Fachmann um Rat fragen.
  - Das Gerät nur mit sauberen Händen bedienen.
  - Das Gerät nicht mit Gewalt bedienen.
  - Dieses Gerät kann dazu führen Magnetfeld. Halten Sie das Gerät mindestens 60 cm vom Computer oder Fernseher.
  - Wenn dieses Gerät eine Blei-Säure-Batterie hat, soll dies jede 3 Monate zumindest wieder aufgeladen werden, wenn es nicht für eine längere Zeit nicht benutzt wird, sonst ist es möglich, dass die Batterie dauerhaft beschädigt.
  - Fachmann um Rat fragen, bevor Sie es wieder einschalten.
  - Keine chemischen Reinigungsmittel benutzen, die den Lack beschädigen. Das Gerät nur mit einem trockenen Tuch abwischen.
  - Nicht in der Nähe von elektronischen Geräten benutzen, die Brummstörungen verursachen können.
  - Bei Reparaturen nur die Original-Ersatzteile verwenden, um starke Schäden und/oder gefährliche Strahlungen zu vermeiden.
  - Bevor Sie das Netz- und/oder Anschlusskabel abziehen, erst das Gerät ausschalten. Netz- und Anschlusskabel abziehen, bevor Sie das Gerät umstellen.
  - Sorgen Sie dafür, dass das Netzkabel nicht beschädigt werden kann, wenn Menschen darüber laufen. Das Netzkabel vor jedem Einsatz auf Brüche/Schadstellen überprüfen.
  - In Deutschland beträgt die Netzspannung 220-240V AC / 50Hz. Wenn Sie das Gerät auf Reisen mitnehmen, prüfen Sie, ob die örtliche Netzspannung den Anforderungen des Geräts entspricht.



Dieses Zeichen weist den Benutzer darauf hin, dass lebensgefährliche Spannungen im Gerät anliegen, die bei Berührung einen Stromschlag verursachen.



Dieses Zeichen lenkt die Aufmerksamkeit des Benutzers auf wichtige Hinweise in der Anleitung hin, die unbedingt eingehalten werden müssen.

**HINWEIS:** Um einen einwandfreien Betrieb zu gewährleisten, muss die Raumtemperatur zwischen 5° und 35°C liegen.



Tronios BV Registrierungsnummer : DE51181017 (ElektroG).

Dieses Produkt darf am Ende seiner Lebensdauer nicht über den normalen Haushaltsabfall entsorgt werden, sondern muss an einem Sammelpunkt für das Recycling abgegeben werden. Hiermit leisten Sie einen wichtigen Beitrag zum Schutze unserer Umwelt.

Tronios BV Registrierungsnummer : 21003000 (BatterieG).

Lithiumbatterien und Akkupacks sollten nur im entladenen Zustand in die Altbatteriesammelgefäße bei Handel und bei öffentlich-rechtlichen Entsorgungsträgern gegeben werden. Bei nicht vollständig entladenen Batterien Vorsorge gegen Kurzschluss treffen durch Isolieren der Pole mit Klebestreifen. Der Endnutzer ist zur Rückgabe von Altbatterien gesetzlich verpflichtet.

*Reparieren Sie das Gerät niemals selbst und nehmen Sie niemals eigenmächtig Veränderungen am Gerät vor. Sie verlieren dadurch den Garantieanspruch. Der Garantieanspruch verfällt ebenfalls bei Unfällen und Schäden in jeglicher Form, die durch unsachgemäßen Gebrauch und Nichtbeachtung der Warnungen und Sicherheitshinweise in dieser Anleitung entstanden sind. Audizio ist in keinem Fall verantwortlich für persönliche Schäden in Folge von Nichtbeachtung der Sicherheitsvorschriften und Warnungen. Dies gilt auch für Folgeschäden jeglicher Form.*

## AUSPACKEN

Packen Sie das Gerät sofort nach Empfang aus und prüfen Sie den Inhalt. Wenn Teile fehlen oder beschädigt sind, benachrichtigen Sie sofort den Spediteur und bewahren Sie die Verpackung auf. Falls ein Gerät ins Werk zurückgeschickt werden muss, ist es wichtig, dass es in der Originalverpackung versandt wird. Das Gerät darf nicht in Betrieb genommen werden, nachdem es von einem kalten in einen warmen Raum gebracht wurde. Das dabei entstehende Kondenswasser kann unter Umständen Ihr Gerät zerstören. Lassen Sie das Gerät solange ausgeschaltet, bis es Zimmertemperatur erreicht hat!

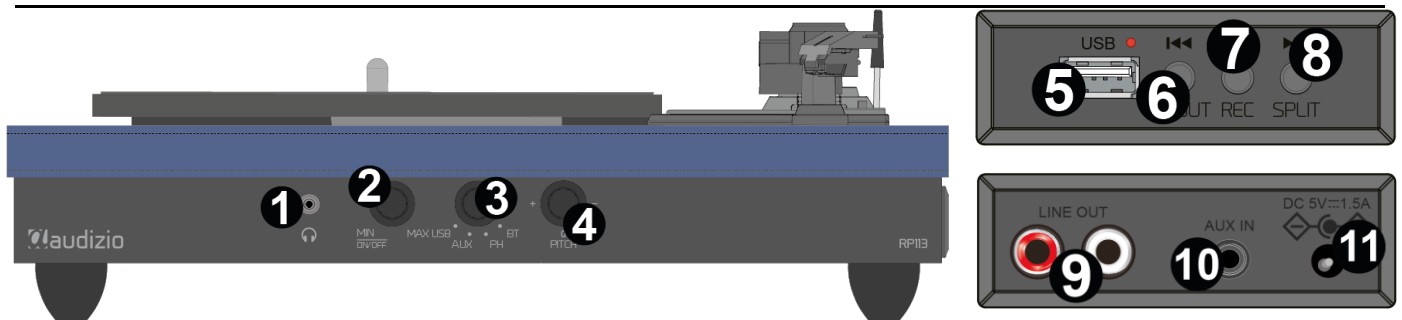
## NETZANSCHLUSS

Die benötigte Versorgungsspannung steht auf dem Typenschild auf der Rückseite des Geräts. Die angegebenen Stromwerte entsprechen einem Durchschnittswert bei normalem Betrieb. Alle Geräte müssen direkt ans Netz angeschlossen werden und dürfen nicht über Dimmerpacks geschaltet werden. Bevor Sie eine Spannung anlegen, prüfen Sie, ob der Wert der zulässigen Spannung entspricht.

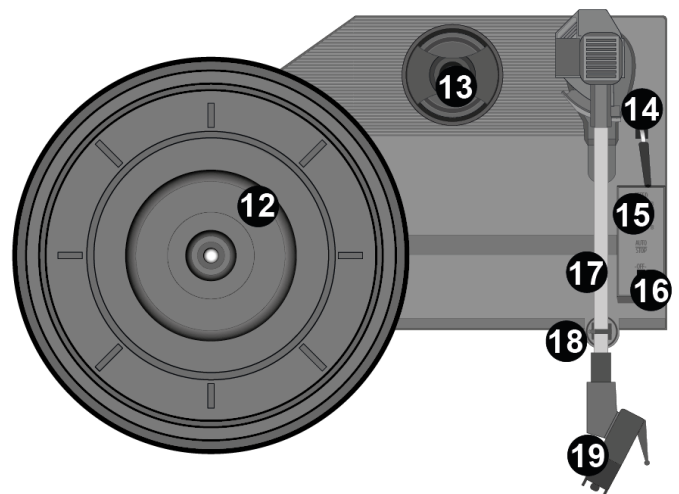


Verbinden Sie immer das Gerät an einem geschützten Schaltkreis (Leistungsschalter oder Sicherung). Stellen Sie sicher, das Gerät ist elektrisch geerdet, um das Risiko eines Stromschlags oder Feuer zu vermeiden.

## BEDIENUNG



- 1. Kopfhörerausgang**  
3,5 mm Kopfhörerausgang
- 2. Ein/Aus und Lautstärkereglern**  
Drehen, um das Gerät ein-/auszuschalten und die Lautstärke einzustellen
- 3. Modus**  
Drehen, um den Modus zu ändern (USB, AUX, Phono, BT-Streaming)
- 4. Pitch**  
Drehen zur Steuerung der Drehgeschwindigkeit
- 5. USB**
- 6. Vorherige / BT out**  
Drücken Sie die Taste, um im USB-, AUX- und BT-Modus zum vorherigen Titel zu wechseln  
Im Phono-Modus drücken, um die Verbindung zu einem BT-Lautsprecher oder Kopfhörer zu aktivieren
- 7. Abspielen/Pausieren / REC**  
Drücken, um die Wiedergabe im USB-, AUX- und BT-Modus (erneut) zu starten oder anzuhalten  
Drücken im Phono-Modus, um die Vinyl-Wiedergabe auf einem USB-Stick aufzuzeichnen (falls angeschlossen)
- 8. Nächste / split**  
Drücken, um im USB-, AUX- und BT-Modus zum nächsten Titel zu springen. Drücken Sie diese Taste bei der Aufnahme von Vinyl-Wiedergabe auf einem USB-Stick, um die aktuelle Datei zu schneiden und zu speichern und eine andere Speicherdatei zu erzeugen.
- 9. Line Ausgang**  
Line-Ausgang mit RCA-Stecker zum Anschluss externer Lautsprecher (nicht im Lieferumfang enthalten)
- 10. AUX Eingang**  
3,5-mm-Auxiliary-Eingangsbuchse
- 11. DC 5V IN**  
5-V-Steckdose zum Anschluss des mitgelieferten Netzteils
- 12. Drehscheibe**
- 13. 45rpm Adapter**  
Mit diesem Adapter können Sie 45RPM-Schallplatten abspielen
- 14. Tonarm Hebel**  
Zum Anheben/Absenken des Tonarms
- 15. 33 / 45 / 78 U/min Schalter**  
Zur Einstellung der Rundtischgeschwindigkeit
- 16. Autostopp-Schalter EIN/AUS**  
Dieser Schalter schaltet die automatische Stoppfunktion ein/aus. Wenn die automatische Stoppfunktion eingeschaltet ist, beginnt sich die Plattform zu drehen, sobald der Tonarm über die Schallplatte gelegt wird, und hört auf, sich zu drehen,



wenn sie das Ende der Schallplatte erreicht. Manche Schallplatten stoppen vor dem Ende oder halten nicht an, wenn das Ende erreicht ist. Stellen Sie in diesem Fall Auto-Stopp auf OFF

#### 17. Tonarm

#### 18. Tonarm Klammer

Diese Armklemme sichert den Tonarm, wenn er ruht oder nicht benutzt wird. Die Armklemme ist so konstruiert, dass sie im entriegelten Zustand in der oberen Position bleibt

#### 19. Tonabnehmerpatrone

Muster mit der Nadel

## ERSTE SCHRITTE

---

- Nehmen Sie die Drehscheibe aus dem Verpackungskarton.
- Schließen Sie den Netzadapter an und schalten Sie das Gerät ein.

**Hinweis:** Verwenden Sie nur den mit dem Funkgerät gelieferten Adapter. Der Anschluss eines Netzteils mit einem anderen Nennwert kann zu dauerhaften Schäden am Funkgerät führen und gefährlich sein.

## PLATTENSPIELER

---

- Drehen Sie den Modus-Schalter, um den Phono-Modus auszuwählen.
- Legen Sie die Schallplatte auf den Plattenteller. Legen Sie ggf. den 45 U/min-Adapter auf den Plattenteller.
- Wählen Sie die gewünschte Wiedergabegeschwindigkeit mit dem Geschwindigkeitsschalter (33-, 45- oder 78-rpm).
- Drehen Sie den Netzschalter und den Lautstärkereger im Uhrzeigersinn, um das Gerät einzuschalten.
- Stellen Sie sicher, dass die Schutzkappe des Stiftes entfernt ist.
- Entriegeln Sie den Tonarm durch Lösen der Tonarmklammer.
- Heben Sie den Arm mit dem Tonarmhebel an.
- Führen Sie die Nadel über die Schallplatte, der Plattenteller beginnt sich automatisch zu drehen.
- Senken Sie die Nadel mit Hilfe des Tonarmhebels langsam auf die Schallplatte ab.
- Wenn eine Schallplatte das Ende erreicht, hält der Plattenspieler automatisch an, wenn sich der Auto-Stopp-Schalter in der Position ON befindet. Befindet sich der Schalter in der Position OFF, dreht er sich weiter, bis der Schalter in die Position ON gedreht wird.  
\* Manche Schallplatten stoppen vor dem Ende oder halten nicht an, wenn das Ende erreicht ist. Stellen Sie in diesem Fall Auto-Stopp auf OFF.
- Heben Sie den Tonarm an und legen Sie ihn auf den Ständer, wenn Sie fertig sind, indem Sie immer den Tonarmhebel benutzen.
- Verriegeln Sie den Tonarm durch Schließen der Tonarm Klammer.
- Setzen Sie die Schutzkappe des Stiftes wieder auf.
- Schalten Sie das Gerät aus.

## BT STREAMING

---

Bevor eine Übertragung zwischen Ihrem BT-Gerät und dem Funkgerät möglich ist, müssen beide Geräte gekoppelt werden. Dieser Vorgang wird als "Pairing" bezeichnet. Das Radio dient als Empfänger, um den Musikstrom für die Wiedergabe im Radio zu empfangen. Wenn Sie schon einmal mit einem BT-Gerät gekoppelt haben, wird diese Verbindung automatisch wiederhergestellt, wenn beide Geräte in Reichweite sind und der BT-Betrieb am Radio ausgewählt wurde. Das "Pairing" muss nicht wiederholt werden. Diese Funktion muss jedoch möglicherweise in Ihrem BT-Gerät aktiviert werden.

- Stellen Sie den Modusschalter auf den BT-Modus. Die LED-Anzeige blinkt in blauer Farbe.
- Schalten Sie die BT-Streaming-Funktion an Ihrem Gerät ein. Das Gerät sucht nach koppelbaren BT-Geräten im Empfangsbereich.
- Wählen Sie "Audizio RP113" aus der Liste der gefundenen Geräte.
- Nach der Kopplung leuchtet die LED kontinuierlich. Sie können nun Ihre Musik von Ihrem Gerät abspielen, indem Sie den Plattenspieler als Lautsprecher verwenden.

Das Gerät verfügt auch über einen BT-Sender, so dass der Ton des Plattenspielers über BT z. B. auf einem BT-Lautsprecher oder einem kabellosen Kopfhörer wiedergegeben werden kann.

Drücken Sie im Phono-Modus die "vorherige"-Taste: Die Anzeigeleuchte blinkt rot. Schalten Sie dann die BT-Streaming-Funktion des Lautsprechers oder Kopfhörers ein und starten Sie die Kopplung. Wenn die Verbindung erfolgreich ist, hört die Anzeigeleuchte auf zu blinken. Die Vinyl-Wiedergabe wird nun drahtlos an den Lautsprecher oder Kopfhörer übertragen. Drehen Sie den Lautstärkereger am Lautsprecher oder drücken Sie die Lautstärkereger am Kopfhörer, um die Lautstärke einzustellen. Der Lautstärkereger des Plattenspielers ist nun gesperrt.

**Hinweis:** Wenn der Plattenspieler als BT-Lautsprecher verwendet wird, können alle anderen Wiedergabefunktionen nicht gleichzeitig genutzt werden.

## AUX EINGANG

---

Sie können die auf einem anderen Audiogerät oder Smartphone gespeicherte Musik über die 3,5-mm-Aux-In-Buchse an der Vorderseite des Radios anhören. Verwenden Sie ein Kabel mit 3,5-mm-Klinkenstiften an beiden Enden, wobei ein Ende an die Aux-In-Buchse des Radios und das andere Ende an die Kopfhörerbuchse des Audiogeräts (oder den Line-Ausgang, falls vorhanden) angeschlossen wird. Stellen Sie den Modusschalter auf AUX-Modus.

Spielen Sie Musik auf dem angeschlossenen Gerät ab, der Ton wird vom Radio wiedergegeben.

## USB

---

Wiedergabe: Stecken Sie Ihr USB-Laufwerk in den USB-Steckplatz. Das Gerät beginnt automatisch mit der Wiedergabe der Dateien. Drücken Sie "Vorherige" oder "Nächste", um den vorherigen/nächsten Titel auszuwählen. Drücken Sie Abspielen/Pausieren, um die Wiedergabe (erneut) zu starten/anzuhalten.

Aufnahme:

- Stecken Sie Ihr USB-Laufwerk in den USB-Steckplatz.
- Start der Vinyl-Wiedergabe im Phono-Modus.
- Drücken Sie während der Schallplattenwiedergabe "REC". Die Anzeige blinkt rot und blau.
- Drücken Sie während der Aufnahme "split", wird die aktuelle Aufnahme abgeschnitten und automatisch in einer Datei gespeichert. Drücken Sie erneut "split" und eine weitere Datei wird erzeugt.
- Drücken Sie "REC", um die Aufnahme zu beenden.

Felicitaciones a la compra de este producto Audizio. Por favor lea atentamente este manual antes de usar el aparato para disfrutar al completo de sus prestaciones.

Seguir las instrucciones le permite no invalidar la garantía. Tome todas las precauciones para evitar que se produzca fuego o una descarga eléctrica. Las reparaciones solo deben llevarse a cabo por técnicos cualificados para evitar descargas eléctricas. Guarde el manual para futuras consultas.

sentirse cierto olor. Esto es normal y desaparece al poco tiempo.

- Este aparato contiene piezas que llevan voltaje. Por lo tanto NO abra la carcasa.
- No coloque objetos metálicos o vierta líquidos dentro del aparato. Podría producir descargas eléctricas y fallos en el funcionamiento.
- No coloque el aparato cerca de fuentes de calor tipo radiadores, etc. No coloque el aparato en superficies vibratorias. No tape los agujeros de ventilación.
- Este aparato no está preparado para un uso continuado.
- Tenga cuidado con el cable de alimentación y no lo dañe. Un daño o defecto en el cable de alimentación puede producir una descarga eléctrica o fallo en el funcionamiento.
- Cuando desconecte el aparato de la toma de corriente, siempre tire de la clavija, nunca del cable.
- No enchufe o desenchufe el aparato con las manos mojadas.
- Si la clavija y/o el cable de alimentación están dañados, necesitan reemplazarse por un técnico cualificado.
- Si el aparato está dañado de modo que puedan verse sus partes internas, NO conecte el aparato a la toma de corriente y NO lo encienda. Contacte con su distribuidor. NO conecte el aparato a un reostato o dimmer.
- Para evitar un fuego o peligro de descarga, no exponga el aparato a la lluvia y a la humedad.
- Todas las reparaciones deben llevarse a cabo exclusivamente por técnicos cualificados.
- Conecte el aparato a una toma de corriente con toma de tierra (220-240Vca/50Hz) protegida por un fusible de 10-16A.
- Durante una tormenta o si el aparato no va a usarse durante un periodo largo de tiempo, desconéctelo de la toma de corriente. La regla es: Desconéctelo si no lo va a usar.
- Si el aparato no se ha usado en mucho tiempo puede producirse condensación. Deje el aparato a temperatura ambiente antes de encenderlo. Nunca utilice el aparato en ambientes húmedos o en el exterior.
- Para prevenir accidentes en las empresas, debe seguir las directrices aplicables y seguir las instrucciones.
- No lo apague y encienda repetidamente. Esto acorta su tiempo de vida.
- Mantenga el aparato fuera del alcance de los niños. No deje el aparato sin vigilancia.
- No utilice sprays limpiadores para limpiar los interruptores. Los residuos de estos sprays producen depósitos de polvo y grasa. En caso de mal funcionamiento, siempre consulte a un profesional.
- No fuerce los controles.
- Si el aparato se ha caído, siempre haga que lo verifique un técnico cualificado antes de encenderlo otra vez.
- NO utilice productos químicos para limpiar el aparato. Dañan el barniz. Tan solo límpielo con un trapo seco.
- Manténgalo lejos de equipos electrónicos ya que pueden producir interferencias.
- Si este producto incorpora una batería recargable con base ácida, por favor recargue batería cada 3 meses si no va a usar la unidad por un tiempo prolongado. En caso contrario la batería podría dañarse.
- Solo utilice recambios originales para las reparaciones, de otro modo pueden producirse daños serios y/o radiaciones peligrosas.
- Apague el aparato antes de desconectarlo de la toma de corriente y/o de otros equipos. Desconecte todos los cables y conexiones antes de mover el aparato.
- Asegúrese de que el cable de alimentación no puede dañarse cuando la gente lo pise. Compruebe el cable de alimentación antes de cada uso por si hay daños o defectos.
- El voltaje de funcionamiento es 220-240Vca/50Hz. Compruebe que la toma de corriente coincide. Si tiene que viajar, asegúrese de que el voltaje del país es el adecuado para este aparato.
- Guarde el embalaje original para poder transportar el aparato en condiciones seguras.



Esta señal advierte al usuario de la presencia de alto voltaje en el interior de la carcasa y que es de la suficiente magnitud como para producir una descarga eléctrica.



Esta señal advierte al usuario de que el manual contiene instrucciones importantes que han de leerse y seguirse al pie de la letra.

**NOTA:** Para asegurarse de que el aparato funcione correctamente, debe usarse en ambientes a una temperatura de entre 5°C/41°F y 35°C/95°F.



Los productos electrónicos no pueden tirarse a la basura normal. Por favor lleve este producto a un centro de reciclaje. Pregunte a la autoridad local en caso de duda. Las especificaciones son generales. Los valores actuales pueden variar de una unidad a otra. Las especificaciones pueden variar sin previo aviso.

*Nunca intente reparar usted mismo este equipo. Esta manipulación anulará la garantía. No realice cambios en la unidad. Esta manipulación anulará la garantía. Esta garantía no es aplicable en caso de accidente o daños ocasionados por uso indebido del aparato o mal uso del mismo. Audizio no se hace responsable de daños personales causados por el no seguimiento de las normas e instrucciones de este manual. Esto es aplicable también a los daños de cualquier tipo.*

## INSTRUCCIONES DE DESEMBALAJE

**ATENCIÓN!** Inmediatamente después de recibir un dispositivo, desempaqué cuidadosamente la caja de cartón, compruebe el contenido para asegurarse de que todas las partes están presentes, y se han recibido en buenas condiciones. Notifique inmediatamente al transportista y conserve el material de embalaje para la inspección por si aparecen daños causados por el transporte o el propio envase muestra signos de mal manejo. Guarde el paquete y todos los materiales de embalaje originales. Si el aparato ha estado expuesto a grandes cambios de temperatura (tras el transporte), no lo enchufe inmediatamente. La condensación de agua producida podría dañar su aparato. Deje el dispositivo apagado hasta que se haya alcanzado la temperatura ambiente.

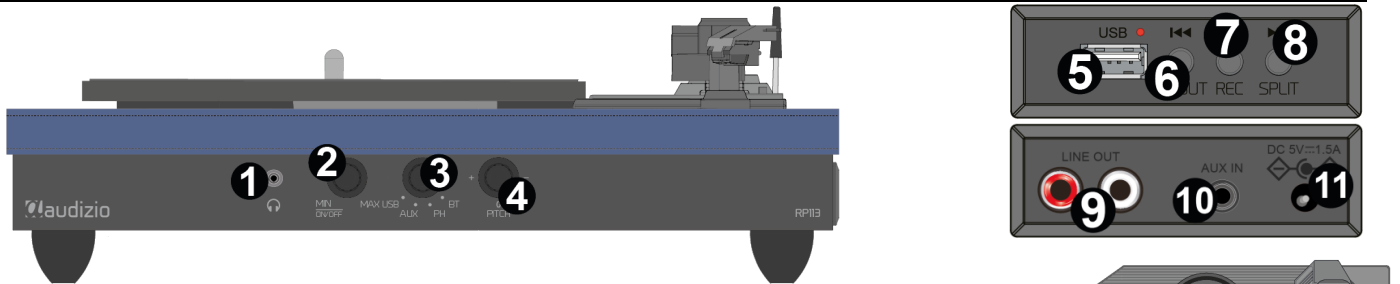
## FUENTE DE ALIMENTACIÓN

En la etiqueta de la parte trasera del controlador se indica el tipo de fuente de alimentación que debe ser conectado. Compruebe que la tensión de red corresponda a esto, todos los otros voltajes a la especificada, puede causar efectos irreparable. El producto también debe estar conectado directamente a la red para ser utilizado. No en ninguna fuente de alimentación o dimmer ajustable.



Conecte siempre el producto a un circuito protegido (disyuntor o fusible). Asegúrese de que el producto tiene una toma de tierra adecuada para evitar el riesgo de electrocución o incendio.

## OPERACIÓN



- 1. Salida de auriculares**  
Salida de auriculares de 3,5 mm
- 2. Encendido/apagado y control de volumen**  
Gire para encender/apagar el dispositivo y ajustar el nivel de volumen
- 3. Modo**  
Gire para cambiar de modo (USB, AUX, Phono, BT streaming)
- 4. Pitch**  
Gire para controlar el paso (velocidad del plato giratorio)
- 5. USB**
- 6. Anterior / BT out**  
Pulse para cambiar a la pista anterior en los modos USB, AUX y BT  
Pulse en modo Phono para activar la conexión con un altavoz o auriculares BT
- 7. Reproducir/pausa / REC**  
Pulse para (re)iniciar o pausar la reproducción en los modos USB, AUX y BT  
Pulse en modo Phono para grabar la reproducción del vinilo en una memoria USB (cuando esté insertada)
- 8. Siguiente / split**  
Pulse para saltar a la pista siguiente cuando estés en modo USB-, AUX- y BT. Pulse cuando grabes vinilos en una memoria USB para cortar y guardar el archivo actual y generar otro archivo guardado
- 9. Salida línea**  
Salida de línea con conector RCA para conectar altavoces externos (no incluidos)
- 10. Entrada AUX**  
Toma de entrada auxiliar de 3,5 mm
- 11. Entrada DC 5V**  
Toma de alimentación de 5 V para conectar el adaptador de corriente suministrado
- 12. Plato**
- 13. Adaptador de 45 rpm**  
Este adaptador permite reproducir discos de 45RPM
- 14. Palanca del brazo de tono**  
Permite subir/bajar el brazo de tono
- 15. Conmutador 33 / 45 / 78 RPM**  
Sirve para ajustar las RPM del plato giratorio
- 16. Interruptor de parada automática ON/OFF**  
Este interruptor activa/desactiva la función de parada automática. Cuando la parada automática está activada, la plataforma empezará a girar en cuanto el brazo de tono se coloque sobre el disco y dejará de girar cuando haya llegado al final del disco. Algunos discos de vinilo se paran antes del final o no se paran cuando se llega al final. En este caso, ajuste Auto-stop en OFF
- 17. Brazo de tono**



## 18. Clip de brazo

Este clip de brazo asegura el tóner mientras está en reposo o cuando no se utiliza. El clip del brazo ha sido diseñado para permanecer en la posición superior mientras está desbloqueado

## 19. Cartucho stylus/aguja

Cartucho que contiene el aguja

## EMPEZANDO

---

- Saque el tocadiscos de la caja.
- Enchufa el adaptador de corriente y enciende el aparato.

**Precaución:** Utilice únicamente el adaptador suministrado con la unidad. La conexión de una fuente de alimentación con un valor nominal diferente puede causar daños permanentes a la unidad y puede ser peligroso.

## TOCADISCOS

---

- Gire el conmutador de modo para seleccionar el modo Phono.
- Coloque el disco en el plato giratorio. Si es necesario, coloque el adaptador de 45 rpm en el eje del disco.
- Seleccione la velocidad de reproducción deseada mediante el selector de velocidad (33, 45 ó 78 rpm).
- Gire el control de encendido/apagado y volumen en el sentido de las agujas del reloj para encender la unidad.
- Asegúrese de retirar cualquier cubierta protectora del palpador.
- Desbloquee el brazo de tono soltando el clip del brazo de tono.
- Levante el brazo mediante la palanca del brazo de tono.
- Coloque la aguja verticalmente sobre la primera pista del disco, el tocadiscos comenzará a girar automáticamente.
- Baje lentamente la aguja sobre el disco utilizando la palanca del brazo fonocaptor.
- Cuando un disco llega al final, el tocadiscos se detendrá automáticamente si el interruptor de parada automática está en la posición ON. Si el interruptor está en la posición de apagado, seguirá girando hasta que el interruptor se coloque en la posición de encendido.
  - \* Algunos discos de vinilo se detienen antes del final o no se detienen al llegar al final. En este caso, ajuste Auto-stop en OFF.
- Levante el brazo de tono y colóquelo en el soporte cuando haya terminado, utilizando siempre la palanca del brazo de tono.
- Bloquee el brazo de tono cerrando el clip del brazo de tono.
- Vuelva a colocar la cubierta del lápiz óptico.
- Desconectar la alimentación.

## REPRODUCCIÓN BT

---

Antes de que sea posible la transmisión entre su dispositivo BT y la radio, ambos dispositivos deben estar acoplados. Este proceso se llama "emparejamiento". La radio sirve de receptor, para recibir el flujo de música que se reproducirá en la radio. Si ya se ha acoplado a un dispositivo BT con anterioridad, esta conexión se restablecerá automáticamente cuando ambos dispositivos estén dentro del alcance y se haya seleccionado el funcionamiento BT en la radio. No es necesario repetir el "emparejamiento". Sin embargo, es posible que tenga que activar esta función en su dispositivo BT.

- Ponga el conmutador de modo en modo BT. El indicador LED parpadeará en color azul.
- Activa la función de transmisión BT en tu dispositivo. El dispositivo buscará dispositivos BT emparejables en el rango de recepción.
- Seleccione "Audizio RP113" en la lista de dispositivos encontrados.
- Tras el emparejamiento, el LED se iluminará de forma continua. Ahora puede reproducir su música desde su dispositivo, utilizando el tocadiscos como altavoz.

Este dispositivo también cuenta con un transmisor BT, lo que significa que es posible reproducir sonido desde el tocadiscos a través de BT a, por ejemplo, un altavoz BT o unos auriculares inalámbricos.

Cuando estés en modo fono, pulsa el botón "anterior": la luz indicadora parpadeará en color rojo. A continuación, activa la función de transmisión BT del altavoz o los auriculares e inicia el emparejamiento. Si la conexión se realiza correctamente, el indicador dejará de parpadear. Ahora, la reproducción del vinilo se transmitirá al altavoz o los auriculares de forma inalámbrica. Gira el control de volumen del altavoz o pulsa los botones de control de volumen de los auriculares para ajustar el volumen. El botón de control de volumen del tocadiscos está ahora bloqueado.

**Nota:** Cuando el tocadiscos se utiliza como altavoz BT, las demás funciones de reproducción no pueden utilizarse al mismo tiempo.

## AUX IN

---

Puede escuchar la música almacenada en otro dispositivo de audio o smartphone a través de la radio, mediante la conexión a la toma aux-in de 3,5 mm de la parte frontal. Utilice un cable con clavijas de 3,5 mm en ambos extremos, un extremo conectado a la toma aux-in de la radio, el otro extremo conectado a la toma de auriculares del dispositivo de audio (o toma de salida de línea si está disponible).

Coloque el conmutador de modo en modo AUX. Reproduzca música en el dispositivo conectado, el sonido se emitirá desde la radio.

## USB

---

Reproducción: Inserte su unidad USB en la ranura USB. El aparato empezará a reproducir los archivos automáticamente. Pulse "anterior" o "siguiente" para seleccionar la pista anterior/siguiente. Pulse **"Reproducir/pausa"** para (re)iniciar/pausar la reproducción.

Grabar:

- Inserte su unidad USB en la ranura USB.
- Iniciar la reproducción de vinilos en modo Phono.
- Durante la reproducción de los discos de vinilo, pulse "REC". El indicador parpadeará en rojo y azul.
- Pulse "split" cuando esté grabando, el registro actual se cortará y se guardará en un archivo automáticamente. Pulse "split" de nuevo y se generará otro archivo.
- Pulse "REC" para detener la grabación.

## FRANÇAIS

Nous vous remercions d'avoir acheté un produit Audizio. Veuillez lire la présente notice avant l'utilisation afin de pouvoir en profiter pleinement. Veuillez lire la notice avant toute utilisation. Respectez impérativement les instructions afin de continuer à bénéficier de la garantie. Prenez toutes les précautions nécessaires pour éviter tout incendie ou décharge électrique. Seul un technicien spécialisé peut effectuer les réparations. Nous vous conseillons de conserver la présente notice pour pouvoir vous y reporter ultérieurement.

- Avant d'utiliser l'appareil, prenez conseil auprès d'un spécialiste. Lors de la première mise sous tension, il est possible qu'une odeur soit perceptible. C'est normal, l'odeur disparaîtra peu de temps après.
- L'appareil contient des composants porteurs de tension. N'OUVREZ JAMAIS le boîtier.
- Ne placez pas des objets métalliques ou du liquide sur l'appareil, cela pourrait causer des décharges électriques et dysfonctionnements.
- Ne placez pas l'appareil à proximité de sources de chaleur, par exemple radiateur. Ne positionnez pas l'appareil sur une surface vibrante. N'obturez pas les ouïes de ventilation.
- L'appareil n'est pas conçu pour une utilisation en continu.
- Faites attention au cordon secteur, il ne doit pas être endommagé.
- Lorsque vous débranchez l'appareil de la prise secteur, tenez-le par la prise, ne tirez jamais sur le cordon.
- Ne branchez pas et ne débranchez pas l'appareil avec les mains mouillées.
- Seul un technicien spécialisé peut remplacer la fiche secteur et / ou le cordon secteur.
- Si l'appareil est endommagé et donc les éléments internes sont visibles, ne branchez pas l'appareil, NE L'ALLUMEZ PAS. Contactez votre revendeur. NE BRANCHEZ PAS l'appareil à un rhéostat ou un dimmer.
- Pour éviter tout risque d'incendie ou de décharge électrique, n'exposez pas l'appareil à la pluie ou à l'humidité.
- Seul un technicien habilité et spécialisé peut effectuer les réparations
- Branchez l'appareil à une prise secteur 220-240 Vac/50 Hz avec terre, avec un fusible 10-16 A.
- Pendant un orage ou en cas de non-utilisation prolongée de l'appareil, débranchez l'appareil du secteur.
- En cas de non-utilisation prolongée de l'appareil, de la condensation peut être créée. Avant de l'allumer, laissez l'appareil atteindre la température ambiante. Ne l'utilisez jamais dans des pièces humides ou en extérieur.
- Afin d'éviter tout accident en entreprise, vous devez respecter les conseils et instructions.
- N'allumez pas et n'éteignez pas l'appareil de manière répétée. Cela réduit sa durée de vie.
- Conservez l'appareil hors de la portée des enfants. Ne laissez pas l'appareil sans surveillance.
- N'utilisez pas d'aérosols pour nettoyer les interrupteurs. Les résidus créent des dépôts et de la graisse. En cas de dysfonctionnement, demandez conseil à un spécialiste.
- Ne forcez pas les réglages.
- L'appareil contient un haut-parleur pouvant engendrer des champs magnétiques. Tenez cet appareil à 60 cm au moins d'un téléviseur ou ordinateur.
- Si le produit comprend un accumulateur intégré plomb-acide, rechargez l'accumulateur tous les 3 mois en cas de non-utilisation prolongée de l'appareil. Sinon, l'accumulateur pourrait être endommagé de manière permanente.
- Si l'accumulateur est endommagé, remplacez-le par un accumulateur de même type et déposez l'ancien accumulateur dans un container de recyclage adapté.
- Si l'appareil est tombé, faites-le toujours vérifier par un technicien avant de le rallumer.
- Pour nettoyer l'appareil, n'utilisez pas de produits chimiques qui abîment le revêtement, utilisez uniquement un tissu sec.
- Tenez toujours l'appareil éloigné de tout équipement électrique pouvant causer des interférences.
- Pour toute réparation, il faut impérativement utiliser des pièces d'origine, sinon il y a risque de dommages graves et / ou de radiations dangereuses.
- Eteignez toujours l'appareil avant de le débrancher du secteur et de tout autre appareil. Débranchez tous les cordons avant de déplacer l'appareil.
- Assurez-vous que le cordon secteur n'est pas abîmé si des personnes viennent à marcher dessus. Avant toute utilisation, vérifiez son état.
- La tension d'alimentation est de 220-240Vac/50 Hz. Vérifiez la compatibilité. Si vous voyagez, vérifiez que la tension d'alimentation du pays est compatible avec l'appareil.
- Conservez l'emballage d'origine pour pouvoir transporter l'appareil en toute sécurité.



Ce symbole doit attirer l'attention de l'utilisateur sur les tensions élevées présentes dans le boîtier de l'appareil, pouvant engendrer une décharge électrique.



Ce symbole doit attirer l'attention de l'utilisateur sur des instructions importantes détaillées dans la notice, elles doivent être lues et respectées.

Cet appareil porte le symbole CE. Il est interdit d'effectuer toute modification sur l'appareil. La certification CE et la garantie deviendraient caduques !

**NOTE:** Pour un fonctionnement normal de l'appareil, il doit être utilisé en intérieur avec une plage de température maximale autorisée entre 5°C/41°F et 35°C/95°F.



Ne jetez pas les produits électriques dans la poubelle domestique. Déposez-les dans une décharge. Demandez conseil aux autorisés ou à votre revendeur. Données techniques réservées. Les valeurs actuelles peuvent varier d'un produit à l'autre. Tout droit de modification réservé sans notification préalable.

*N'essayez pas de réparer l'appareil vous-même. Vous perdriez tout droit à la garantie. Ne faites aucune modification sur l'appareil. Vous perdriez tout droit à la garantie. La garantie deviendrait également caduque en cas d'accidents ou dommages causés par une utilisation inappropriée de l'appareil ou un non-respect des consignes présentes dans cette notice. Audizio ne pourrait être tenu responsable en cas de dommages matériels ou corporels causés par un non-respect des consignes de sécurité et avertissements. Cela est également valable pour tous les dommages quelle que soit la forme.*

## DEBALLAGE

**ATTENTION !** Immédiatement après réception, vérifiez le contenu du carton et assurez-vous que tous les éléments sont bien présents et en bon état. Si besoin, faites les réserves nécessaires si le matériel ou les cartons sont endommagés. Si l'appareil doit être retourné, faites-le dans l'emballage d'origine. Si l'appareil a été exposé à des fluctuations importantes de températures (par exemple après le transport), ne l'allumez pas immédiatement. De la condensation peut survenir. Laissez l'appareil éteint le temps qu'il atteigne la température ambiante.

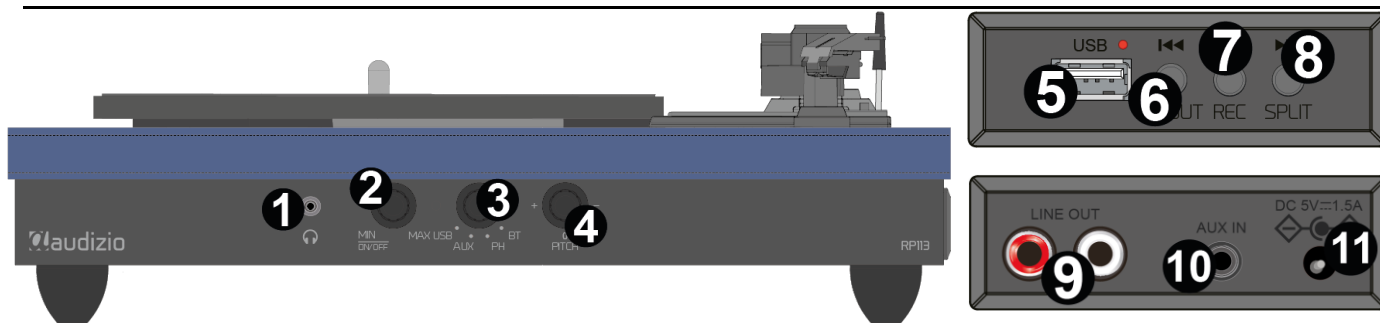
## ALIMENTATION

Vous trouvez sur l'étiquette à l'arrière de l'appareil, le type d'alimentation à utiliser. Vérifiez que la tension d'alimentation corresponde à celle mentionnée. Toute autre alimentation peut endommager l'appareil. Reliez l'appareil au secteur, il est prêt à être utilisé. En aucun cas, vous ne devez utiliser de dimmer ou d'alimentation réglable.



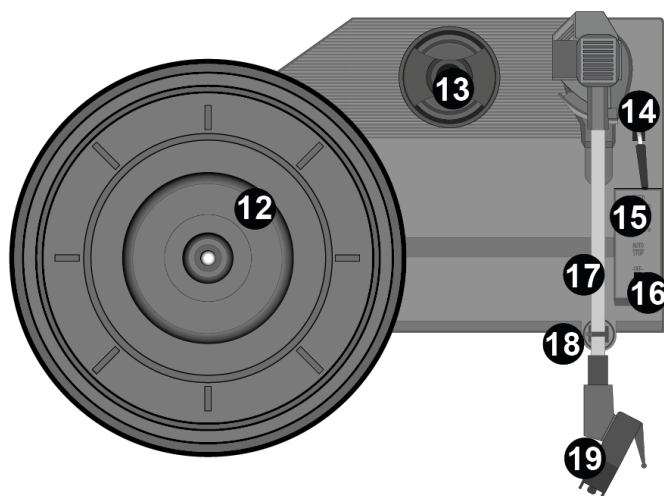
Connectez toujours l'appareil à un circuit protégé (disjoncteur ou fusible). Assurez-vous que l'appareil soit correctement relié à la terre afin d'éviter tout risque d'électrocution ou d'incendie.

## REGLAGES



- Sortie casque**  
Prise de sortie casque 3,5 mm
- Marche/arrêt et réglage du volume**  
Tourner pour allumer/éteindre l'appareil et pour régler le niveau de volume
- Mode**  
Tourner pour changer de mode (USB, AUX, Phono, BT streaming)
- Pitch**  
Tourner pour contrôler la hauteur (vitesse du plateau)
- USB**
- Précédent / BT out**  
Appuyez pour passer à la piste précédente en mode USB, AUX et BT  
Appuyez en mode Phono pour activer la connexion avec un haut-parleur ou un casque BT
- Lecture/pause / REC**  
Appuyez sur cette touche pour (re)démarrer ou mettre en pause la lecture en mode USB, AUX et BT  
Appuyez sur cette touche en mode Phono pour enregistrer la lecture du vinyle sur une clé USB (lorsqu'elle est insérée)
- Suivant / split**

- Sortie de ligne**  
Sortie ligne sur connecteur RCA pour connecter des haut-parleurs externes (non inclus)
- Entrée AUX**  
Prise d'entrée auxiliaire de 3,5 mm
- Entrée DC 5V**  
Prise d'alimentation 5V pour connecter l'adaptateur d'alimentation fourni
- Plateau**
- Adaptateur 45rpm**  
Cet adaptateur vous permet de lire des disques 45 tours
- Levier du bras de lecture**  
Permet de monter/descendre le bras de lecture
- Commutateur 33 / 45 / 78 RPM**  
Permet de régler la vitesse de rotation du plateau de la platine
- Interrupteur Autostop ON/OFF**  
Cet interrupteur permet d'activer ou de désactiver la fonction d'arrêt automatique. Lorsque l'arrêt automatique est activé, la plate-forme commence à tourner dès que le bras de lecture est placé sur le disque et s'arrête lorsqu'elle a atteint la fin du disque. Certains disques vinyles s'arrêtent avant la fin ou ne s'arrêtent pas lorsque la fin est atteinte. Dans ce cas, réglez Auto-stop sur OFF



## 17. Bras de tonalité

### 18. Clip de bras

Ce clip de bras sécurise le bras de lecture lorsqu'il est au repos ou lorsqu'il n'est pas utilisé. Le clip de bras a été conçu pour rester en position haute lorsqu'il est déverrouillé

### 19. Cartouche de stylet

Cartouche contenant le stylet/l'aiguille

## DEMARRER

---

- Retirer le tourne-disque radio de son emballage.
- Branchez l'adaptateur d'alimentation et mettez l'appareil sous tension.

**Attention:** Utilisez uniquement l'adaptateur fourni avec l'appareil. Le branchement d'une alimentation électrique d'une puissance différente peut endommager l'appareil de manière permanente et peut être dangereux.

## TOURNE-DISQUE

---

- Tournez le commutateur de mode pour sélectionner le mode Phono.
- Placez le disque sur la platine. Si nécessaire, placez l'adaptateur 45 tours sur l'axe du disque.
- Choisissez la vitesse de lecture souhaitée à l'aide du commutateur de sélection de la vitesse (33, 45 ou 78 tours/minute).
- Tournez la commande de marche/arrêt et de volume dans le sens des aiguilles d'une montre pour mettre l'appareil en marche.
- Veillez à ce que tout couvercle de protection soit retiré du stylet.
- Déverrouillez le bras de lecture en relâchant le clip du bras de lecture.
- Relever le bras à l'aide du levier du bras de lecture.
- Placez le stylet verticalement sur la première piste du disque, la platine commencera à tourner automatiquement.
- Abaisser lentement la pointe de lecture sur le disque en utilisant le levier du bras de lecture.
- Lorsqu'un disque arrive à la fin, la platine s'arrête automatiquement si l'interrupteur d'arrêt automatique est en position ON. Si l'interrupteur est en position d'arrêt, la platine continuera à tourner jusqu'à ce que l'interrupteur soit mis en position de marche.
  - \* Certains disques vinyles s'arrêtent avant la fin ou ne s'arrêtent pas lorsque la fin est atteinte. Dans ce cas, réglez Auto-stop sur OFF.
- Soulevez le bras de lecture et posez-le sur le support lorsque vous avez terminé, en utilisant toujours le levier du bras de lecture.
- Verrouillez le bras de lecture en fermant le clip du bras de lecture.
- Remettre en place le couvercle du stylet.
- Couper l'alimentation.

## LECTURE BT

---

Avant que la transmission entre votre appareil BT et la radio soit possible, les deux appareils doivent être couplés. Ce processus est appelé "couplage". La radio sert de récepteur, pour recevoir le flux musical à diffuser sur la radio.

Si vous avez déjà couplé un appareil BT auparavant, cette connexion sera rétablie automatiquement lorsque les deux appareils sont à portée et que le fonctionnement BT a été sélectionné sur la radio. Il n'est pas nécessaire de répéter l'opération de "couplage". Il se peut toutefois que cette fonction doive être activée dans votre appareil BT.

- Placez le commutateur de mode sur le mode BT. L'indicateur LED clignote en bleu.
- Activez la fonction de diffusion BT sur votre appareil. L'appareil recherche les appareils BT pouvant être appariés dans la zone de réception.
- Sélectionnez "Audizio RP113" dans la liste des appareils trouvés.
- Après l'appairage, le voyant s'allume en continu. Vous pouvez maintenant écouter votre musique à partir de votre appareil, en utilisant le tourne-disque comme haut-parleur.

Cet appareil est également équipé d'un émetteur BT, ce qui signifie qu'il est possible de diffuser le son de la platine via BT, par exemple vers un haut-parleur BT ou un casque sans fil.

En mode phono, appuyez sur le bouton "précédent" : le voyant lumineux clignote en rouge. Ensuite, activez la fonction de streaming BT du haut-parleur ou du casque et commencez l'appairage. Si la connexion est réussie, le voyant cesse de clignoter. La lecture du vinyle est alors transmise sans fil à l'enceinte ou au casque. Tournez le bouton de réglage du volume de l'enceinte ou appuyez sur les boutons de réglage du volume du casque pour régler le volume. Le bouton de réglage du volume du tourne-disque est maintenant bloqué.

**Remarque:** Lorsque la platine est utilisée comme haut-parleur BT, toutes les autres fonctions de lecture ne peuvent pas être utilisées en même temps.

## AUX IN

---

Vous pouvez écouter la musique stockée dans un autre appareil audio ou un téléphone intelligent via la radio, grâce à la connexion à la prise d'entrée auxiliaire de 3,5 mm sur la face avant. Utilisez un câble avec des broches de 3,5 mm aux deux extrémités, l'une connectée à la prise d'entrée auxiliaire de la radio, l'autre connectée à la prise d'écouteurs de l'appareil audio (ou à la prise de sortie de ligne si disponible).

Réglez le commutateur de mode sur le mode AUX. Lisez de la musique sur l'appareil connecté, le son sera émis par la radio.

## USB

---


Lecture : Insérez votre clé USB dans la fente USB. L'appareil commence automatiquement à lire les fichiers. Appuyez sur "précédent" ou "suivant" pour sélectionner la piste précédente/suivante. Appuyez sur play/pause pour (re)démarrer/pause la lecture.


Enregistrement:

- Insérez votre clé USB dans la fente USB.
- Lancer la lecture d'un vinyle en mode Phono.
- Pendant la lecture des disques vinyles, appuyez sur "REC". L'indicateur clignote en rouge et en bleu.
- Appuyez sur "split" pendant l'enregistrement, l'enregistrement en cours sera coupé et stocké dans un fichier automatiquement. Appuyez à nouveau sur "split" et un autre fichier sera généré.
- Appuyez sur "REC" pour arrêter l'enregistrement.


Gratulujemy zakupu tego produktu firmy Audizio. Prosimy o dokładne zapoznanie się z niniejszą instrukcją przed rozpoczęciem korzystania z urządzenia, aby w pełni wykorzystać wszystkie jego funkcje. Przeczytaj instrukcję przed rozpoczęciem korzystania z urządzenia. Postępuj zgodnie z instrukcjami, aby nie unieważnić gwarancji. Podjąć wszelkie środki ostrożności, aby uniknąć pożaru i/lub porażenia prądem. Naprawy mogą być wykonywane wyłącznie przez wykwalifikowanego technika, aby uniknąć porażenia prądem. Instrukcję należy zachować do wykorzystania w przyszłości.

- Przed rozpoczęciem użytkowania urządzenia należy zasięgnąć porady specjalisty. Przy pierwszym włączeniu urządzenia może pojawić się nieprzyjemny zapach. Jest to normalne i po chwili zniknie.
- Urządzenie zawiera części przewodzące napięcie. Dlatego NIE należy otwierać obudowy.
- Nie należy umieszczać metalowych przedmiotów ani wlewać płynów do urządzenia. Może to spowodować porażenie prądem elektrycznym i nieprawidłowe działanie.
- Nie należy umieszczać urządzenia w pobliżu źródeł ciepła, takich jak grzejniki itp. Nie umieszczać urządzenia na wibrującej powierzchni. Nie zakrywać otworów wentylacyjnych.
- Urządzenie nie nadaje się do pracy ciągłej.
- Należy zachować ostrożność z przewodem zasilającym i nie wolno go uszkodzić. Wadliwy lub uszkodzony przewód sieciowy może spowodować porażenie prądem elektrycznym i wadliwe działanie.
- Podczas odłączania urządzenia od gniazdka sieciowego należy zawsze wyciągać wtyczkę, a nie przewód.
- Nie należy podłączać ani odłączać urządzenia mokrymi rękami.
- Jeśli wtyczka i/lub przewód sieciowy są uszkodzone, należy je wymienić przez wykwalifikowanego technika.
- Jeśli urządzenie jest uszkodzone w takim stopniu, że widoczne są części wewnętrzne, NIE podłączać urządzenia do gniazdka sieciowego i NIE włączać urządzenia. Skontaktować się ze sprzedawcą.
- Aby uniknąć zagrożenia pożarem i porażeniem prądem, nie wystawiać urządzenia na działanie deszczu i wilgoci.
- Wszystkie naprawy powinny być wykonywane wyłącznie przez wykwalifikowanego technika.
- Podłączyć urządzenie do uziemionego gniazdka sieciowego (220-240Vac/50Hz) zabezpieczonego bezpiecznikiem 10-16A.
- Podczas burzy z piorunami lub jeśli urządzenie nie będzie używane przez dłuższy okres czasu, należy odłączyć je od sieci elektrycznej. Zasada jest taka sama: Gdy urządzenie nie jest używane, należy je odłączyć od sieci zasilającej.
- Jeśli urządzenie nie było używane przez dłuższy okres czasu, może dojść do kondensacji pary wodnej. Przed włączeniem urządzenie powinno osiągnąć temperaturę pokojową.
- Nigdy nie używać urządzenia w wilgotnych pomieszczeniach lub na zewnątrz.
- Aby zapobiec wypadkom w firmach, należy postępować zgodnie z obowiązującymi wytycznymi i instrukcjami.
- Nie należy wielokrotnie włączać i wyłączać urządzenia. Skraca to żywotność urządzenia.
- Przechowywać urządzenie w miejscu niedostępnym dla dzieci. Nie pozostawiać urządzenia bez nadzoru.
- Do czyszczenia przelotników nie używać sprayów czyszczących. Pozostałości tych sprayów powodują osadzenie się kurzu i smaru. W przypadku awarii należy zawsze zasięgnąć porady specjalisty.
- Nie wolno wymuszać używania elementów sterujących.
- Wewnątrz urządzenia znajduje się głośnik, który może powodować pole magnetyczne. Urządzenie należy trzymać w odległości co najmniej 60 cm od komputera lub telewizora.
- Jeśli ten produkt ma wbudowany akumulator kwasowo-ołowiowy. Jeśli nie zamierzasz używać produktu przez dłuższy okres czasu, ładuj go co 3 miesiące. W przeciwnym razie bateria może ulec trwałemu uszkodzeniu.
- Jeśli bateria jest uszkodzona, należy wymienić ją na baterię o tej samej specyfikacji. Uszkodzoną baterię należy utylizować w sposób przyjazny dla środowiska.
- Jeśli urządzenie upadło, przed ponownym włączeniem należy je sprawdzić przez wykwalifikowanego technika.
- Do czyszczenia urządzenia nie należy używać środków chemicznych. Uszkodzą one lakier. Urządzenie należy czyścić wyłącznie suchą ściereczką.
- Trzymać z dala od sprzętu elektronicznego, który może powodować zakłócenia.
- Do napraw należy używać wyłącznie oryginalnych części zamiennych, w przeciwnym razie może dojść do poważnych uszkodzeń i/lub niebezpiecznego promieniowania.
- Przed odłączeniem urządzenia od sieci elektrycznej i/lub innych urządzeń należy je wyłączyć. Przed przeniesieniem urządzenia należy odłączyć wszystkie przewody i kable.
- Upewnić się, że przewód zasilający nie może zostać uszkodzony, gdy ludzie chodzą po nim. Przed każdym użyciem należy sprawdzić przewód sieciowy pod kątem uszkodzeń i usterek!
- Napięcie sieciowe wynosi 220-240Vac/50Hz. Sprawdź, czy gniazdo zasilania pasuje. W przypadku podróży należy upewnić się, że napięcie sieciowe w danym kraju jest odpowiednie dla tego urządzenia.
- Należy zachować oryginalne opakowanie, aby umożliwić bezpieczny transport urządzenia.

 Ten znak zwraca uwagę użytkownika na wysokie napięcie, które jest obecne w środku obudowy urządzenia. Napięcie jest wystarczające, aby porazić użytkownika.

 Ten znak zwraca uwagę użytkownika do ważnych informacji, które znajdują się w instrukcji. Informacje te powinny być przeczytane oraz uwzględnione w codziennym użytkowaniu  
Urządzenie posiada certyfikat CE. **Nie wolno** wprowadzać żadnych zmian w urządzeniu. Każda modyfikacja sprzętu spowoduje utratę certyfikatu CE oraz gwarancji!

**UWAGA:** Urządzenie może funkcjonować w pomieszczeniach o temperaturze pomiędzy 5°C/41°F oraz 35°C/95°F.

 **WAŻNA INFORMACJA:** Urządzenia elektryczne muszą być składowane w miejscach do tego przeznaczonych. Sprawdź, gdzie w Twojej okolicy znajduje się najbliższe centrum recyklingu. Specyfikacja techniczna poszczególnych urządzeniach może się nieznacznie różnić. Specyfikacja może ulec zmian bez powiadomień.

*Nie próbuj dokonywać żadnych napraw samodzielnie, to spowoduje unieważnienie gwarancji. Gwarancja nie dotyczy uszkodzeń spowodowanych niewłaściwym użytkowaniem sprzętu, niezgodnie z instrukcją. Power Dynamics nie jest odpowiedzialny za uszkodzenia na zdrowiu oraz kontuzje spowodowane niestosowaniem się do zaleceń bezpieczeństwa. Dotyczy to wszelakich uszkodzeń.*

## INSTRUKCJA ROZPAKOWANIA

**UWAGA!** Po otrzymaniu przesyłki należy ostrożnie ją rozpakować. Sprawdzić zawartość, aby upewnić się, że wszystkie części są obecne i zostały dostarczone w dobrym stanie. Jeśli jakiegokolwiek części wyglądają na uszkodzone podczas transportu lub opakowanie nosi ślady niewłaściwego obchodzenia się z nimi, należy natychmiast powiadomić dostawcę i zachować materiały opakowaniowe. Należy zachować opakowanie i wszystkie materiały opakowaniowe. Jeśli produkt musi zostać zwrócony, ważne jest, aby był zwrócony w oryginalnym fabrycznym pudełku i opakowaniu. Jeśli urządzenie zostało narażone na drastyczne zmiany temperatury (np. po transporcie), nie należy go od razu włączyć. Powstająca woda kondensacyjna może uszkodzić urządzenie. Pozostawić urządzenie wyłączone, aż osiągnie temperaturę pokojową.

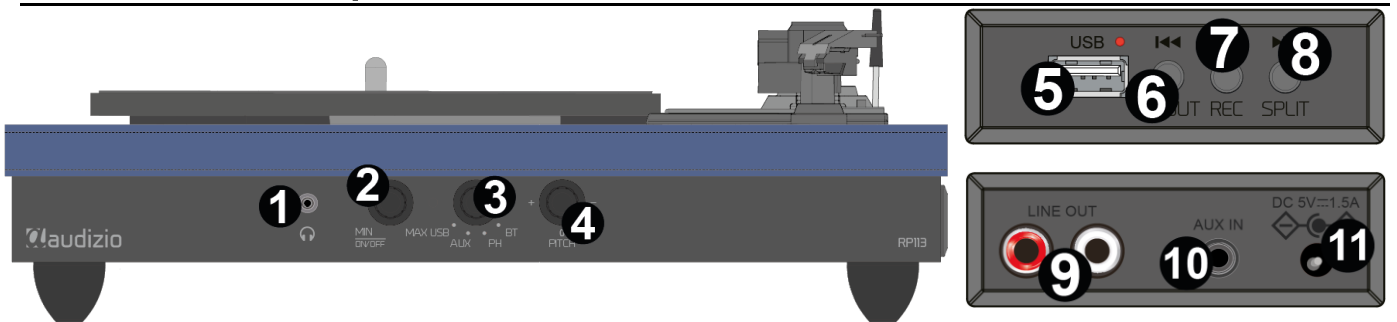
## ZASILANIE

Na etykiecie znajdującej się na tylnej stronie produktu podany jest typ zasilania, który należy podłączyć. Sprawdź, czy napięcie sieciowe odpowiada temu, wszystkie inne napięcia niż podane, urządzenie może zostać nieodwracalnie uszkodzone. Produkt musi być również bezpośrednio podłączony do sieci i może być używany. Brak ściemniacza lub regulowanego zasilania.



Zawsze podłączaj urządzenie do zabezpieczonego obwodu (wyłącznik automatyczny lub bezpiecznik). Upewnij się, że urządzenie ma odpowiednie uziemienie elektryczne, aby uniknąć ryzyka porażenia prądem lub pożaru.

## STEROWANIE I POŁĄCZENIA



### 1. Wyjście słuchawkowe

Gniazdo wyjścia słuchawkowego 3,5 mm

### 2. Włączanie/wyłączanie i regulacja głośności

Obróć, aby włączyć/wyłączyć urządzenie i dostosować poziom głośności

### 3. Tryb

Obróć, aby zmienić tryby (USB, AUX, Phono, strumieniowanie BT)

### 4. Pitch

Obróć, aby kontrolować wysokość dźwięku (prędkość gramofonu)

### 5. USB

### 6. Poprzedni / BT out

Naciśnij, aby przejść do poprzedniego utworu w trybie USB, AUX i BT

Naciśnij w trybie Phono, aby włączyć połączenie z głośnikiem lub słuchawkami BT

### 7. Odtwarzanie/pauza / REC

Naciśnij, aby (ponownie) rozpocząć lub wstrzymać odtwarzanie w trybie USB, AUX i BT

Naciśnij w trybie Phono, aby nagrać płytę winylową na pamięć USB (jeśli jest włożona)

### 8. Następny / split

Naciśnij, aby przejść do następnego utworu w trybie USB, AUX i BT. Naciśnij podczas nagrywania odtwarzania winyłu na pamięci USB, aby odciąć i zapisać bieżący plik oraz wygenerować kolejny zapisany plik

### 9. Wyjście liniowe

Wyjście liniowe ze złączem RCA do podłączenia zewnętrznych głośników (brak w zestawie)

### 10. Wejście AUX

Pomocnicze gniazdo wejściowe 3,5 mm

### 11. DC 5V IN

Gniazdo zasilania 5 V do podłączenia dostarczonego zasilacza

### 12. Talerz gramofonu

### 13. Adapter 45 obr.

Ten adapter umożliwia odtwarzanie płyt 45RPM

### 14. Dźwignia ramienia tonowego

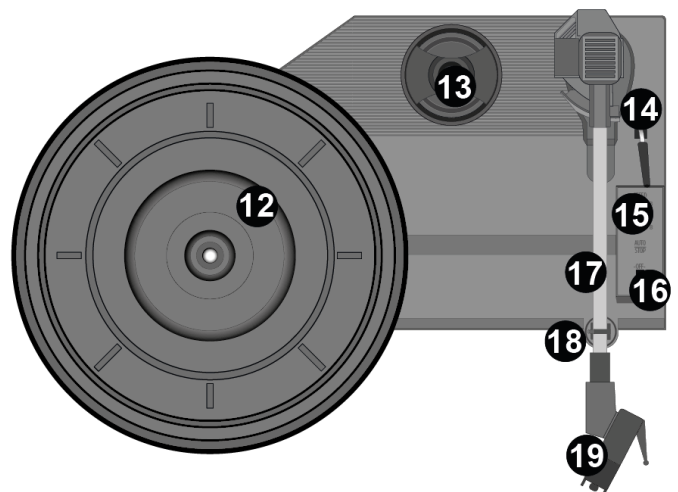
Służy do podnoszenia/opuszczania ramienia tonowego

### 15. Przetątnik 33/45/78 obr.

Służy do regulacji obrotów talerza gramofonu

### 16. Przetątnik autostopu ON/OFF

Ten przetątnik włącza/wyłącza funkcję automatycznego zatrzymania. Gdy funkcja automatycznego zatrzymania jest włączona, platforma zacznie się obracać, gdy tylko ramię tonowe zostanie umieszczone nad płytą i przestanie się obracać





po osiągnięciu końca płyty. Niektóre płyty winylowe zatrzymują się przed końcem lub nie zatrzymują się po osiągnięciu końca. W takim przypadku należy ustawić opcję Auto-stop na OFF

#### 17. Ramię tonowe

#### 18. Klips do ramienia

Ten zacisk ramienia zabezpiecza ramię tonu w stanie spoczynku lub gdy nie jest używane. Klips na ramię został zaprojektowany tak, aby pozostawał w pozycji podniesionej, gdy jest odblokowany

#### 19. Wkładka z rysikiem

Kaseta zawierająca rysik/igłę

## ROZPOCZĘCIE PRACY

---

- Wyjmij radioodtwarzacz z opakowania.
- Podłącz zasilacz i włącz urządzenie.

**Przeostrożenie:** Należy używać wyłącznie zasilacza dostarczonego z urządzeniem. Podłączenie zasilacza o innych parametrach może spowodować trwałe uszkodzenie urządzenia i może być niebezpieczne.

## GRAMOFON

---

- Obróć przełącznik trybu, aby wybrać tryb Phono.
- Umieść płytę na gramofonie. W razie potrzeby umieść adapter 45 obr./min na wrzecionie płyty.
- Wybierz żądaną prędkość odtwarzania za pomocą przełącznika prędkości (33-, 45- lub 78 obr./min).
- Obróć pokrętkę włączania/wyłączania i głośności w prawo, aby włączyć urządzenie.
- Upewnij się, że osłona ochronna została zdjęta z rysika.
- Odblokuj ramię tonowe, zwalniając zacisk ramienia tonowego.
- Podnieś ramię za pomocą dźwigni ramienia tonowego.
- Umieść igłę pionowo nad pierwszą ścieżką płyty, gramofon zacznie obracać się automatycznie.
- Powoli opuść igłę na płytę za pomocą dźwigni ramienia tonowego.
- Gdy płyta dobiegnie końca, gramofon zatrzyma się automatycznie, jeśli przełącznik automatycznego zatrzymania znajduje się w pozycji ON. Jeśli przełącznik znajduje się w pozycji wyłączonej, gramofon będzie obracał się do momentu ustawienia przełącznika w pozycji ON.  
\* Niektóre płyty winylowe zatrzymują się przed końcem lub nie zatrzymują się po osiągnięciu końca. W takim przypadku należy ustawić opcję Auto-stop na OFF.
- Po zakończeniu podnieś ramię tonowe i umieść je na podpórce, zawsze używając dźwigni ramienia tonowego.
- Zablokuj ramię tonowe, zamykając zacisk ramienia tonowego.
- Ponownie załóż osłonę rysika.
- Wyłącz zasilanie.

## ODTWARZANIE BT

---

Zanim możliwa będzie transmisja między urządzeniem BT a radiem, oba urządzenia muszą zostać połączone. Proces ten nazywany jest "pairing". Radio służy jako odbiornik, aby odbierać strumień muzyki, który ma być odtwarzany przez radio. Jeśli urządzenie BT zostało już wcześniej sparowane, połączenie to zostanie przywrócone automatycznie, gdy oba urządzenia znajdą się w zasięgu i w radiu zostanie wybrana obsługa BT. "Pairing" nie musi być powtarzane. Funkcja ta może jednak wymagać aktywacji w urządzeniu BT.

- Ustaw przełącznik trybu na tryb BT. Wskaźnik LED będzie migać na niebiesko.
- Włącz funkcję przesyłania strumieniowego BT w urządzeniu. Urządzenie rozpocznie skanowanie w poszukiwaniu sparowanych urządzeń BT w zasięgu odbioru.
- Wybierz "Audizio RP113" z listy znalezionych urządzeń.
- Po sparowaniu dioda LED będzie świecić światłem ciągłym. Możesz teraz odtwarzać muzykę z urządzenia, używając gramofonu jako głośnika.

Urządzenie to posiada również nadajnik BT, co oznacza, że możliwe jest odtwarzanie dźwięku z gramofonu przez BT, na przykład do głośnika BT lub słuchawek bezprzewodowych.

W trybie phono naciśnij przycisk "poprzedni": wskaźnik zacznie migać na czerwono. Następnie włącz funkcję przesyłania strumieniowego BT głośnika lub słuchawek i rozpocznij parowanie. Jeśli połączenie się powiedzie, wskaźnik przestanie migać. Odtwarzanie płyty winylowej będzie teraz bezprzewodowo przesyłane do głośnika lub słuchawek. Obróć pokrętkę regulacji głośności głośnika lub naciśnij przyciski regulacji głośności słuchawek, aby dostosować głośność. Pokrętko regulacji głośności odtwarzacza płyt jest teraz zablokowane.

**Uwaga:** Gdy gramofon jest używany jako głośnik BT, wszystkie inne funkcje odtwarzania nie mogą być używane w tym samym czasie.

## AUX IN

---

Muzyki zapisanej w innym urządzeniu audio lub smartfonie można słuchać za pośrednictwem radia, podłączając je do gniazda aux-in 3,5 mm z przodu. Użyj kabla z wtykami 3,5 mm na obu końcach, jeden koniec podłączony do gniazda AUX-in w radiu, drugi koniec podłączony do gniazda słuchawkowego w urządzeniu audio (lub gniazda wyjścia liniowego, jeśli jest dostępne). Ustaw przełącznik trybu na tryb AUX. Odtwarzaj muzykę na podłączonym urządzeniu, dźwięk będzie emitowany przez radio.

## USB

---

Odtwarzanie: Włóż napęd USB do gniazda USB. Urządzenie automatycznie rozpocznie odtwarzanie plików. Naciśnij "previous" lub "next", aby wybrać poprzedni/następny utwór. Naciśnij przycisk odtwarzania/pauzy, aby (ponownie) rozpocząć/wstrzymać odtwarzanie.

Rekord:

- Włóż napęd USB do gniazda USB.
- Rozpoczęcie odtwarzania płyty winylowej w trybie Phono.
- Podczas odtwarzania płyty winylowej naciśnij przycisk "REC". Wskaźnik będzie migać w kolorach czerwonym i niebieskim.
- Naciśnięcie przycisku "split" podczas nagrywania spowoduje automatyczne odcięcie bieżącego nagrania i zapisanie go w pliku. Ponowne naciśnięcie przycisku "split" spowoduje wygenerowanie kolejnego pliku.
- Naciśnij "REC", aby zatrzymać nagrywanie.

Gratulujeme ke koupi tohoto produktu Audizio. Před použitím výrobku si pečlivě přečtete tento návod, abyste mohli plně využívat všechny jeho funkce.

Před použitím přístroje si přečtete tuto příručku. Postupujte podle pokynů, aby nedošlo ke zneplatnění záruky. Přijměte veškerá preventivní opatření, abyste zabránili požáru nebo úrazu elektrickým proudem. Opravy smí provádět pouze kvalifikovaný technik, aby nedošlo k úrazu elektrickým proudem. Návod si uschovejte pro budoucí použití.

- Před použitím přístroje se poraďte s prodávajícím. Při prvním zapnutí jednotky může dojít k zápachu. To je normální a po chvíli to zmizí.
- Přístroj obsahuje části pod napětím. Proto neotvírejte jeho kryt.
- Neumisťujte do přístroje kovové předměty a nelijte na ni tekutiny. Mohlo by dojít k úrazu elektrickým proudem a poruše.
- Neumisťujte jednotku do blízkosti zdrojů tepla, jako jsou radiátory apod.
- Neumisťujte jednotku na vibrující povrch. Nezakrývejte ventilační otvory.
- Jednotka není vhodná pro trvalé používání.
- S napájecím kabelem buďte opatrní a nepoškozujte jej. Vadný nebo poškozený napájecí kabel může způsobit úraz elektrickým proudem, nebo poruchu.
- Při odpojování zařízení od zásuvky vždy tahejte za zástrčku, nikdy ne za kabel.
- Nezapojujte a neodpojujte přístroj mokřima rukama.
- Pokud je poškozena zástrčka a / nebo napájecí kabel, musí být opraveny kvalifikovaným technikem.
- Pokud je jednotka poškozena do takové míry, že jsou vidět vnitřní části, NEZAPOJUJTE jednotku do zásuvky ani ji NEZAPÍNEJTE. Kontaktujte svého prodejce. NEPŘIPOJUJTE jednotku k reostatu nebo stmívači.
- Aby nedošlo k požáru, nebo úrazu elektrickým proudem, nevystavujte jednotku dešti a vlhkosti.
- Všechny opravy musí provádět pouze kvalifikovaný technik.
- Připojte přístroj k uzemněné síťové zásuvce (220 - 240 V, střídavý / 50 Hz) chráněné pojistkou 10 - 16 A.
- Během bouřky nebo pokud nebudete jednotku delší dobu používat, odpojte ji od elektrické sítě. Pokud zařízení nepoužíváte, odpojte jej od elektrické sítě.
- Pokud jednotku nebudete delší dobu používat, může dojít ke kondenzaci vlhkosti. Než přístroj zapnete, nechejte jej dosáhnout pokojovou teplotu. Nikdy nepoužívejte jednotku ve vlhkých místnostech nebo venku.
- Abyste předešli nehodám na veřejnosti, musíte postupovat podle příslušných pokynů a instrukcí.
- Zařízení opakovaně nezapínejte a nevypínejte. Tím se zkracuje jeho životnost.
- Uchovávejte jednotku mimo dosah dětí. Nenechávejte jednotku bez dozoru.
- K čištění spínačů nepoužívejte čisticí spreje. Zbytky těchto sprejů způsobují, že se na spínačích usazuje prach a mastnota. V případě poruchy vždy vyhledejte radu od odborníka.
- Na ovládací prvky netlačte silou.
- Tato jednotka má uvnitř reproduktor, který může způsobit magnetické pole. Udržujte proto toto zařízení ve vzdálenosti alespoň 60 cm od počítače nebo televize.
- Pokud má tato jednotka vestavěnou dobíjecí baterii, tak ji dobijte alespoň 1x za 3 měsíce. Jinak může dojít k poškození baterie.
- Pokud je baterie poškozená, vyměňte ji za baterii se stejnými specifikacemi. Poškozenou baterii zlikvidujte ekologicky.
- Pokud Vám přístroj upadnul, nechte ho před opětovným zapnutím zkontrolovat kvalifikovaným technikem.
- K čištění jednotky nepoužívejte chemikálie. Poškozují lak. Jednotku čistěte pouze suchým hadříkem.
- Uchovávejte mimo dosah elektronických zařízení, která mohou způsobovat rušení.
- K opravám používejte pouze originální náhradní díly, jinak může dojít k vážnému poškození nebo nebezpečnému záření.
- Před odpojením od sítě nebo od jiného zařízení přístroj vypněte. Před přemístováním přístroje odpojte všechny napájecí i jiné kabely.
- Zajistěte, aby nemohlo dojít k poškození síťového kabelu, když po něm lidé kráčí. Před každým použitím zkontrolujte přívodní kabel, zda není poškozený nebo vadný!
- Síťové napětí je 220 – 240 V, AC / 50Hz. Zkontrolujte, zda se napětí v zásuvce shoduje. Pokud cestujete, zkontrolujte, zda je v dané zemi pro tuto jednotku vhodné síťové napětí.
- Uschovejte originální obalový materiál, abyste mohli jednotku v případě potřeby přepravit v bezpečných podmínkách.



Tento znak upozorňuje uživatele na vysokému napětí, které je uvnitř přístroje a které je dostatečně velké, aby způsobilo nebezpečí úrazu elektrickým proudem.



Tento znak upozorňuje uživatele na důležité pokyny obsažené v této příručce, kterou by si měl před používáním přečíst a dodržovat.

Jednotka má certifikát CE. Na jednotce je zakázáno provádět jakékoli změny. Certifikát CE by tím pozbyl platnost a zboží by přišlo o záruku!

**POZNÁMKA:** Aby bylo zajištěno, že jednotka bude fungovat normálně, musí být používána v místnostech s teplotou mezi 5 °C a 35 °C.



Elektrické výrobky se nesmí ukládat do domácího odpadu. Přineste je, prosím, do recyklačního centra. Zeptejte se místních úřadů nebo prodejce na postup. Specifikace jsou typické. Skutečné hodnoty se mohou z jedné jednotky na druhou mírně změnit. Specifikace lze změnit bez předchozího upozornění.

*Nepokoušejte se sami provádět žádné opravy. To by zneplatnilo vaši záruku. Na jednotce neprovádějte žádné změny. Tím by také zanikla vaše záruka. Záruka se nevztahuje na nehody nebo škody způsobené nevhodným použitím nebo nerespektováním varování obsažených v této příručce. Power dynamics nemůže nést odpovědnost za zranění osob způsobená nerespektováním bezpečnostních doporučení a varování. To platí také pro všechny škody v jakékoli formě.*

## POKYNY PO VYBALENÍ

**POZOR!** Ihned po obdržení produktu pečlivě vybalte krabici, zkontrolujte obsah, zda jsou všechny součásti přítomny a zda jsou v bezvadném stavu. Okamžitě informujte přepravce i prodejce a uschovejte obal ke kontrole, pokud se objeví nějaké známky poškození, nebo pokud obal samotný vykazuje známky nesprávné manipulace. Ponechte si veškerý původní balicí materiál. V případě, že produkt bude muset být vrácen do továrny, je důležité, aby byl vrácen a zabalen v původní krabici. Pokud bylo zařízení vystaveno drastickým výkyvům teploty (např. v rámci přepravy), nezapínejte jej okamžitě. Vznikající kondenzovaná voda může poškodit vaše zařízení. Nechejte zařízení vypnuté, dokud nedosáhne pokojové teploty.

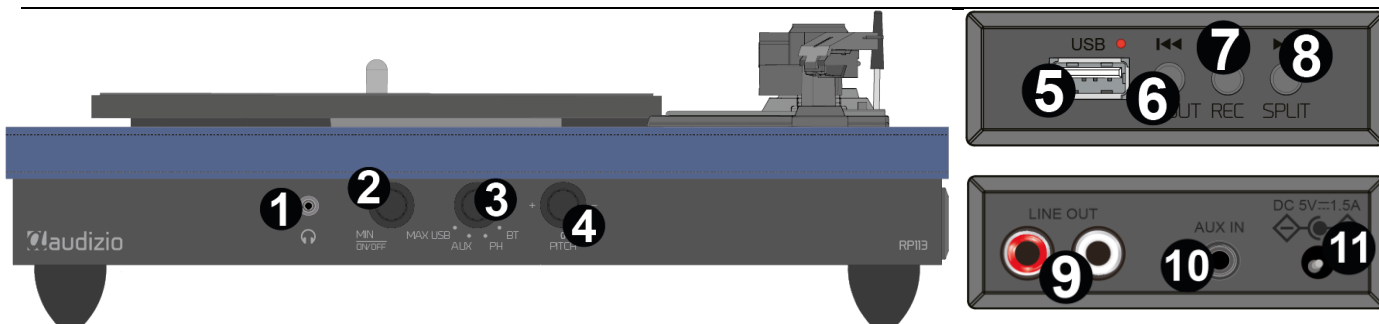
## NAPÁJENÍ

Štítek na zadní/spodní straně výrobku udává síťové napětí, ke kterému musí být výrobek připojen. Zkontrolujte, zda síťové napětí odpovídá tomuto napětí. Jiné než uvedené napětí může způsobit neopravitelné poškození přístroje. Přístroj musí být také připojen přímo k síťovému napětí a nesmí být použit žádný stmívač nebo nastavitelný zdroj napájení.



Přístroj vždy připojujte k chráněnému obvodu (jistič nebo pojistka). Ujistěte se, že má zařízení vhodné elektrické uzemnění, abyste předešli riziku úrazu elektrickým proudem nebo požáru.

## OVLÁDACÍ PRVKY A PŘIPOJENÍ



### 1. Sluchátkový výstup

3,5mm výstupní konektor pro sluchátka

### 2. Zapnutí/vypnutí a ovládání hlasitosti

Otáčením zapnete/vypnete zařízení a nastavíte úroveň hlasitosti

### 3. Režimy

Otáčením můžete měnit režimy (USB, AUX, Phono, BT streaming)

### 4. Pitch

Otáčením ovládáte rozteč (rychlost otáčení gramofonu)

### 5. USB

### 6. Předchozí / BT out

Stisknutím tlačítka přepnete na předchozí skladbu v režimu USB, AUX a BT

Stisknutím v režimu Phono povolíte připojení k reproduktoru BT nebo sluchátkům

### 7. Přehrávání/pauza / REC

Stisknutím tlačítka (znovu)spustíte nebo pozastavíte přehrávání v režimu USB, AUX a BT

Stisknutím v režimu Phono nahrajete přehrávání vinylu na paměťové zařízení USB (je-li vloženo)

### 8. Další / split

V režimu USB, AUX a BT stisknutím přeskočíte na další

skladbu. Stisknutím při nahrávání vinylu přehrávaného na

paměťové kartě USB přerušíte a uložíte aktuální soubor a vygenerujete další uložený soubor

### 9. Linkový výstup

Linkový výstup s konektorem RCA pro připojení externích reproduktorů (nejsou součástí dodávky)

### 10. Vstup AUX

3,5 mm pomocný vstupní konektor

### 11. DC 5V IN

5V zásuvka pro připojení dodaného napájecího adaptéru

### 12. Talíř gramofonu

### 13. Adaptér na 45 otáček za minutu

Tento adaptér umožňuje přehrávat desky s rychlostí 45 otáček za minutu

### 14. Páka tónovacího ramene

Slouží ke zvýšení/spuštění tónové clony

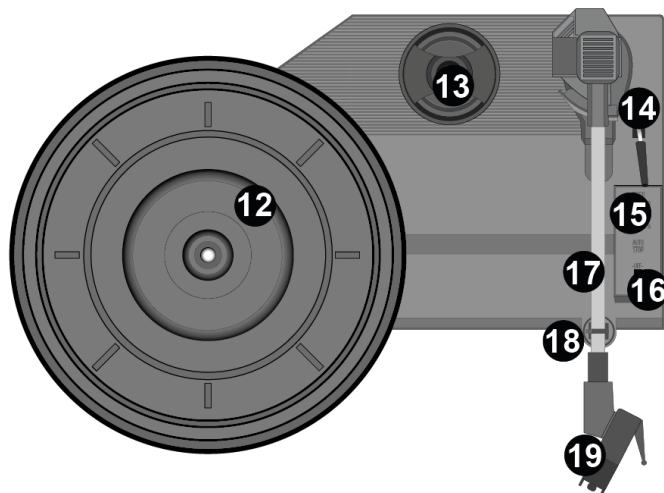
### 15. Přepínač 33 / 45 / 78 RPM

Slouží k nastavení otáček talíře gramofonu

### 16. Spínač automatického vypnutí/zapnutí

Tímto přepínačem se zapíná/vypíná funkce automatického zastavení. Je-li zapnuta funkce automatického zastavení, začne se plošina otáčet, jakmile je tónové rameno umístěno nad záznamem, a přestane se otáčet, jakmile dosáhne konce záznamu. Některé vinylové desky se zastaví před koncem nebo se nezastaví po dosažení konce. V takovém případě nastavte možnost Automatické zastavení na hodnotu OFF

### 17. Tónové rameno



## 18. Spona na rameno

Tento klip ramene zajišťuje raménko v klidovém stavu nebo v době, kdy se nepoužívá. Klip ramene byl navržen tak, aby zůstal v odemčené poloze nahoře

## 19. Stylusová kazeta

Kazeta se stylusem/jehlou

## ZAČÍNÁME

---

- Vyměňte rádiový přehrávač z krabice.
- Připojte napájecí adaptér a zapněte zařízení.

**Upozornění:** Používejte pouze adaptér dodaný s přístrojem. Připojení napájecího zdroje s jinou jmenovitou hodnotou může způsobit trvalé poškození přístroje a může být nebezpečné.

## GRAMOFONOVÝ PŘEHRÁVAČ

---

- Otočením přepínače režimů vyberte režim Phono.
- Umístěte desku na gramofon. V případě potřeby nasad'te na vřeteno desky adaptér na 45 otáček za minutu.
- Přepínačem rychlosti zvolte požadovanou rychlost přehrávání (33, 45 nebo 78 otáček za minutu).
- Otočením ovladače zapnutí/vypnutí a hlasitosti ve směru hodinových ručiček přístroj zapnete.
- Ujistěte se, že je ze stylusu sejmutý ochranný kryt.
- Odemkněte tónové rameno uvolněním svorky tónového ramene.
- Zvedněte rameno pomocí páčky tónovacího ramene.
- Umístěte hrot vertikálně nad první stopu desky, gramofon se začne automaticky otáčet.
- Pomalu spouštějte stylus na desku pomocí páčky tónového raménka.
- Když deska skončí, gramofon se automaticky zastaví, pokud je spínač automatického zastavení v poloze ON. Pokud je přepínač v poloze vypnuto, bude se otáčet, dokud nebude přepínač nastaven do polohy ON.  
\* Některé vinylové desky se zastaví před koncem nebo se po dosažení konce nezastaví. V takovém případě nastavte možnost Auto-stop na OFF.
- Po dokončení zvedněte tónové rameno a položte jej na opěrku, vždy pomocí páčky tónového ramene.
- Uzamkněte tónové rameno zavřením spony tónového ramene.
- Znovu nasad'te kryt stylusu.
- Vypněte napájení.

## BT STREAMING

---

Než je možný přenos mezi vaším BT zařízením a rádiem, musí být obě zařízení propojena. Tento proces se nazývá „párování“. Rádio slouží jako přijímač pro příjem hudebního proudu přehrávaného v rádiu. Pokud jste se již dříve připojili k zařízení BT, toto připojení se automaticky obnoví, když budou obě zařízení v dosahu a na rádiu byl zvolen provoz BT. "Párování" se nemusí opakovat. Tuto funkci však může být nutné aktivovat ve vašem BT zařízení.

- Nastavte přepínač režimů na režim BT. Indikátor LED bude blikat modrou barvou.
- Zapněte na svém zařízení funkci BT streaming. Zařízení vyhledá spárovatelná zařízení BT v dosahu příjmu.
- V seznamu nalezených zařízení vyberte "Audizio RP113".
- Po párování bude kontrolka LED svítit nepřetržitě. Nyní můžete přehrávat hudbu ze zařízení pomocí gramofonu jako reproduktoru.

Toto zařízení je také vybaveno vysílačem BT, což znamená, že je možné přehrávat zvuk z gramofonu prostřednictvím BT například do reproduktoru BT nebo bezdrátových sluchátek.

V režimu phono stiskněte tlačítko "předchozí": kontrolka bude blikat červeně. Poté zapněte funkci BT streaming reproduktoru nebo sluchátek a spusťte párování. Pokud je připojení úspěšné, indikátor přestane blikat. Nyní bude přehrávání vinyly bezdrátově přenášeno do reproduktoru nebo sluchátek. Otočením knoflíku ovládní hlasitosti reproduktoru nebo stisknutím tlačítek ovládní hlasitosti sluchátek upravte hlasitost. Ovládací knoflík hlasitosti přehrávače je nyní zablokován.

**Poznámka:** Pokud je gramofon používán jako reproduktor BT, nelze současně používat všechny ostatní funkce přehrávání.

## AUX IN

---

Prostřednictvím rádia můžete poslouchat hudbu uloženou v jiném audio zařízení nebo chytrém telefonu prostřednictvím připojení ke konektoru 3,5 mm aux-in na přední straně. Použijte kabel s 3,5 mm kolíky na obou koncích, jeden konec připojte ke konektoru aux-in na rádiu, druhý konec připojte ke konektoru pro sluchátka na audio zařízení (nebo k zásuvce line out, je-li k dispozici). Nastavte přepínač režimů na režim AUX. Přehrávejte hudbu na připojeném zařízení, zvuk bude vycházet z rádia.

## USB

---

Přehrávání: Vložte disk USB do slotu USB. Zařízení automaticky spustí přehrávání souborů. Stisknutím tlačítka "předchozí" nebo "další" vyberte předchozí/následující skladbu. Stisknutím tlačítka play/pause (znovu)spustíte/pozastavíte přehrávání.

Záznam:

- Vložte jednotku USB do slotu USB.
- Spuštění přehrávání vinyly v režimu Phono.
- Během přehrávání vinylových desek stiskněte tlačítko "REC". Indikátor bude blikat červenou a modrou barvou.
- Při nahrávání stiskněte tlačítko "split", aktuální záznam se automaticky odřízne a uloží do souboru. Stiskněte znovu "split" a vytvoří se další soubor.
- Stisknutím tlačítka "REC" zastavíte nahrávání.



**TECHNICAL SPECIFICATION / TECHNISCHE SPECIFICATIE / TECHNISCHE DATEN /  
SPECIFICACIONES TÉCNICAS / SPÉCIFICATIONS TECHNIQUES / SPECYFIKACJA  
TECHNICZNA / TECHNICKÁ SPECIFIKACE**

---

|                        |                                   |
|------------------------|-----------------------------------|
| Playback options       | : BT streaming, USB               |
| Input connections      | : 3.5mm Jack, USB                 |
| Output connections     | : 3.5mm Jack, RCA                 |
| Speed settings (RPM)   | : 33, 45, 78                      |
| Power supply           | : 100-240VAC 50/60Hz (5V Adapter) |
| Dimensions (L x W x H) | : 335 x 305 x 120mm               |
| Weight                 | : 2,65                            |

The specifications are typical. The actual values can slightly change from one unit to the other. Specifications can be changed without prior notice.

The products referred to in this manual conform to the European Community Directives to which they are subject:

**European Union**

Tronios B.V.,  
Bedrijvenpark Twente Noord 18,  
7602KR Almelo, The Netherlands

2014/35/EU  
2014/30/EU  
2011/65/EC  
2014/53/EU



**United Kingdom**

Tronios Ltd.,  
130 Harley Street,  
London W1G 7JU, United Kingdom

S.I. 2016:1101  
S.I. 2016:1091  
S.I. 2012:3032  
S.I. 2017:1206



Specifications and design are subject to change without prior notice.

**[www.audizio.com](http://www.audizio.com)**

Copyright © 2023 by Tronios The Netherlands