



## FRISCO RETRO RECORD PLAYER RADIO

Ref. nr.: 102.200



INSTRUCTION MANUAL  
GEBRUIKSAANWIJZING  
BEDIENUNGSANLEITUNG  
MANUAL DE INSTRUCCIONES  
MANUEL D'INSTRUCTIONS  
INSTRUKCJA OBSŁUGI  
NÁVOD K POUŽITÍ





# INDEX

<b>ENGLISH</b> .....	<b>6</b>
UNPACKING INSTRUCTION.....	7
POWERSUPPLY .....	7
CONTROLS AND CONNECTIONS .....	7
GETTING STARTED.....	8
DAB + .....	8
FM RADIO .....	8
RECORD PLAYER.....	8
BT PLAYBACK .....	8
AUX IN.....	9
ALARM SETTING .....	9
MENU .....	9
<b>NEDERLANDS</b> .....	<b>10</b>
UITPAKKEN .....	11
AANSLUITSPANNING .....	11
BEDIENING .....	11
AAN DE SLAG GAAN .....	12
DAB+ .....	12
FM RADIO .....	12
BT AFSPLELEN .....	12
AUX IN .....	12
ALARM INSTELLING.....	13
MENU .....	13
<b>DEUTSCH</b> .....	<b>14</b>
AUSPACKEN .....	15
NETZANSCHLUSS .....	15
BEDIENUNG .....	15
ERSTE SCHRITTE .....	16
DAB+ .....	16
FM RADIO .....	16
BT WIEDERGABE .....	16
AUX ANSCHLUSS .....	16
ALARMEINSTELLUNG .....	17
MENÜ .....	17
<b>ESPAÑOL</b> .....	<b>18</b>
INSTRUCCIONES DE DESEMBALAJE .....	19
FUENTE DE ALIMENTACIÓN.....	19
OPERACIÓN .....	19
EMPEZANDO.....	20
DAB + .....	20
RADIO FM.....	20
REPRODUCCIÓN BT .....	20
AUX IN (ENTRADA AUXILIAR) .....	20
AJUSTE DE ALARMA .....	21
MENÚ .....	21
<b>FRANÇAIS</b> .....	<b>22</b>
DEBALLAGE.....	23
ALIMENTATION .....	23
RÉGLAGES .....	23
DEMARRER .....	24
DAB + .....	24
FM RADIO .....	24
LECTURE BT .....	24
AUX IN.....	24
RÉGLAGE ALARME .....	25
MENU .....	25
<b>POLSKI</b> .....	<b>26</b>
INSTRUKCJA ROZPAKOWANIA .....	27
ZASILANIE .....	27
STEROWANIE I POŁĄCZENIA .....	27
ROZPOCZĘCIE PRACY .....	28
DAB+ .....	28
FM .....	28
ODTWARZANIE BT .....	28
AUX IN.....	28
USTAWIENIE ALARMU .....	29
MENU .....	29
<b>ČESKY</b> .....	<b>30</b>
POKYNY PO VYBALENÍ .....	31

NAPÁJENÍ .....	31
OVLÁDACÍ PRVKY A PŘIPOJENÍ .....	31
ZAČÍNÁME .....	32
DAB + .....	32
FM .....	32
PŘEHRÁVAČ NAHRÁVEK.....	32
BT PLAYBACK .....	32
AUX IN.....	33
NASTAVENÍ ALARMU .....	33
NABÍDKA.....	33
<b>TECHNICAL SPECIFICATION / TECHNISCHE SPECIFICATIE / TECHNISCHE DATEN / SPECIFICACIONES TÉCNICAS / SPÉCIFICATIONS TECHNIQUES / SPECYFIKACJA TECHNICZNA / TECHNICKÁ SPECIFIKACE .....</b>	<b>34</b>

## ENGLISH

Congratulations to the purchase of this Audizio product. Please read this manual thoroughly prior to using the unit in order to benefit fully from all features.

Read the manual prior to using the unit. Follow the instructions in order not to invalidate the warranty. Take all precautions to avoid fire and/or electrical shock. Repairs must only be carried out by a qualified technician in order to avoid electrical shock. Keep the manual for future reference.

- Prior to using the unit, please ask advice from a specialist. When the unit is switched on for the first time, some smell may occur. This is normal and will disappear after a while.
- The unit contains voltage carrying parts. Therefore do NOT open the housing.
- Do not place metal objects or pour liquids into the unit. This may cause electrical shock and malfunction.
- Do not place the unit near heat sources such as radiators, etc. Do not place the unit on a vibrating surface. Do not cover the ventilation holes.
- The unit is not suitable for continuous use.
- Be careful with the mains lead and do not damage it. A faulty or damaged mains lead can cause electrical shock and malfunction.
- When unplugging the unit from a mains outlet, always pull the plug, never the lead.
- Do not plug or unplug the unit with wet hands.
- If the plug and/or the mains lead are damaged, they need to be replaced by a qualified technician.
- If the unit is damaged to such an extent that internal parts are visible, do NOT plug the unit into a mains outlet and DO NOT switch the unit on. Contact your dealer. Do NOT connect the unit to a rheostat or dimmer.
- To avoid fire and shock hazard, do not expose the unit to rain and moisture.
- All repairs should be carried out by a qualified technician only.
- Connect the unit to an earthed mains outlet (220-240Vac/50Hz) protected by a 10-16A fuse.
- During a thunderstorm or if the unit will not be used for a longer period of time, unplug it from the mains. The rule is: Unplug it from the mains when not in use.
- If the unit has not been used for a longer period of time, condensation may occur. Let the unit reach room temperature before you switch it on. Never use the unit in humid rooms or outdoors.
- To prevent accidents in companies, you must follow the applicable guide lines and follow the instructions.
- Do not repeatedly switch the fixture on and off. This shortens the life time.
- Keep the unit out of the reach of children. Do not leave the unit unattended.
- Do not use cleaning sprays to clean switches. The residues of these sprays cause deposits of dust and grease. In case of malfunction, always seek advice from a specialist.
- Do not force the controls.
- This unit is with speaker inside which can cause magnetic field. Keep this unit at least 60cm away from computer or TV.
- If this product have a built-in lead-acid rechargeable battery. Please recharge the battery every 3 months if you are not going to use the product for a long period of time. Otherwise the battery may be permanently damaged.
- If the battery is damaged please replace with same specifications battery. And dispose the damaged battery environment friendly.
- If the unit has fallen, always have it checked by a qualified technician before you switch the unit on again.
- Do not use chemicals to clean the unit. They damage the varnish. Only clean the unit with a dry cloth.
- Keep away from electronic equipment that may cause interference.
- Only use original spares for repairs, otherwise serious damage and/or dangerous radiation may occur.
- Switch the unit off prior to unplugging it from the mains and/or other equipment. Unplug all leads and cables prior to moving the unit.
- Make sure that the mains lead cannot be damaged when people walk on it. Check the mains lead before every use for damages and faults!
- The mains voltage is 220-240Vac/50Hz. Check if power outlet match. If you travel, make sure that the mains voltage of the country is suitable for this unit.
- Keep the original packing material so that you can transport the unit in safe conditions.



This mark attracts the attention of the user to high voltages that are present inside the housing and that are of sufficient magnitude to cause a shock hazard.



This mark attracts the attention of the user to important instructions that are contained in the manual and that he should read and adhere to.

The unit has been certified CE. It is prohibited to make any changes to the unit. They would invalidate the CE certificate and their guarantee!

**NOTE:** To make sure that the unit will function normally, it must be used in rooms with a temperature between 5°C/41°F and 35°C/95°F.



Electric products must not be put into household waste. Please bring them to a recycling centre. Ask your local authorities or your dealer about the way to proceed. The specifications are typical. The actual values can slightly change from one unit to the other. Specifications can be changed without prior notice.

*Do not attempt to make any repairs yourself. This would invalid your warranty. Do not make any changes to the unit. This would also invalid your warranty. The warranty is not applicable in case of accidents or damages caused by inappropriate use or disrespect of the warnings contained in this manual. Audizio cannot be held responsible for personal injuries caused by a disrespect of the safety recommendations and warnings. This is also applicable to all damages in whatever form.*

## UNPACKING INSTRUCTION

**CAUTION!** Carefully unpack the box upon receipt. Check the contents to ensure that all parts are present and have been received in good condition. Notify the shipper immediately and retain packaging material if any parts appear damaged from shipping or the package itself shows signs of mishandling. Save the package and all packaging materials. If the product must be returned, it is important that the product is returned in the original factory box and packaging. If the device has been exposed to drastic temperature fluctuation (e.g. after transportation), do not switch it on immediately. The arising condensation water might damage your device. Leave the device switched off until it has reached room temperature.

## POWERSUPPLY

The label on the back/under side of the product indicates the mains voltage to which it must be connected. Check that the mains voltage corresponds to this. Any other voltage than the one indicated may cause irreparable damage to the unit. The unit must also be connected directly to the mains voltage and no dimmer or adjustable power supply may be used.



Always connect the device to a protected circuit (circuit breaker or fuse). Make sure the device has an appropriate electrical ground to avoid the risk of electrocution or fire.

## CONTROLS AND CONNECTIONS

### 1. Volume control

Rotate to adjust the volume level

### 2. Power

On/standby

### 3. Scan

Press to scan for stations automatically

### 4. Menu

Press in DAB- and FM mode to enter the menu

### 5. Info

Press to show channel information

### 6. Alarm

Press to set an alarm

### 7. Mode

Press to change modes

Press and hold to initiate factory reset function

### 8. Preset

Press and hold to save a channel as preset

Press to recall saved presets

### 9. Quick preset 1,2 & 3

Press to quickly recall preset 1, preset 2 or preset 3

### 10. Tune/Select

Rotate to tune

Press to select

### 11. LCD display

### 12. Speaker

### 13. Antenna

### 14. DC 5V IN

### 15. Aux in jack 3.5 mm

### 16. Headphone output

### 17. USB

Usb socket for playback use

### 18. Platter

### 19. 45rpm adapter

This adapter allows you to play 45RPM records

### 20. 33 / 45 / 78 RPM switch

Use to adjust the RPM of the turntable platter

### 21. Autostop switch ON/OFF

This switch turns the auto stop-function on/off. When the automatic stop is enabled, the platform will start rotating as soon as the tone arm is placed over the record and will stop rotating when it has reached the end of the record. Some vinyl records stop before the end or do not stop when the end is reached. In this case set Auto-stop to OFF

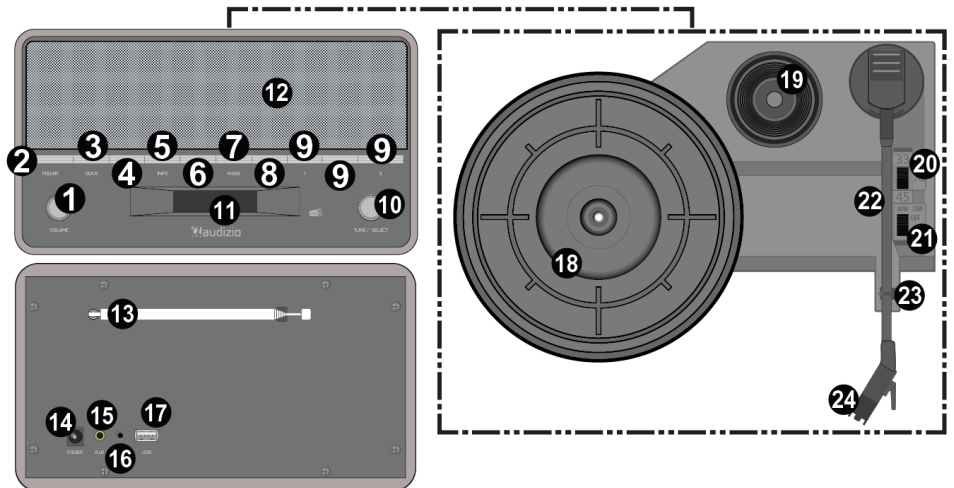
### 22. Tone arm

### 23. Arm clip

This arm clip secures the tonearm while at rest or when not in use. The arm clip has been designed to remain in the up position whilst unlocked

### 24. Stylus cartridge

Cartridge containing the stylus/needle



## GETTING STARTED

---

- Remove the radio record player from the package box.
- Plug in the power adapter and press **[Power]**.

**Caution:** Use only the adaptor supplied with the unit. Connecting a power supply with a different rating can cause permanent damage to the unit and may be hazardous.

## DAB +

---

If there is Digital Audio Broadcasting (DAB) in your area, the unit can pick up the DAB stations. The radio supports both DAB and DAB+.

Place the radio close to the window and extend the antenna as far as it can go to get the best reception. Sometimes you may need to adjust the direction of the antenna to improve reception.

Press **[Mode]** to select DAB mode.

Auto select: Press **[Scan]**, "AUTOTUNE FULL SCAN" will appear on the display. The number of found stations will show in the top right corner of the display. The radio will start to play the first found station automatically after completing the scan. Rotate the **[Tune/Select]** knob to select another DAB station. Press **[Tune/Select]** to confirm.

Manual select: Press and hold the **[Tune/Select]** knob until "MANUAL TUNE" appears on the display. Rotate **[Tune/Select]** to choose a station. Press **[Tune/Select]** to confirm.

Station presetting: While playing in DAB mode, press and hold **[Preset]**. "Preset Empty X" will appear on the display. Rotate **[Tune/Select]** to select the desired preset slot (1-10), press **[Tune/Select]** to store.

Press **[Preset]** to recall memory. Rotate **[Tune/Select]** to select the stored station you want to listen to. Press **[Tune/Select]** to confirm. If stations are saved in slot 1, 2 and/or 3, it's possible to quickly recall them by pressing **[1]**, **[2]** or **[3]**.

Show channel information: Press **[Info]** to show various forms of information regarding the station that is being played. Press **[Menu]** to show the current software version.

## FM RADIO

---

To receive the ordinary FM stations, place the radio close to the window and extend the antenna as far as it can go to get the best reception. You may need to adjust the direction of the antenna to improve reception.

Press **[Mode]** to select FM mode. Press **[Scan]**, the radio will start searching for channels. When a channel has been found, it will be played automatically. If reception is not as desired, use the **[Tune/Select]** knob to manually fine tune frequency.

Station presetting: While playing in FM mode, press and hold **[Preset]**. "Preset Empty X" will appear on the display. Rotate **[Tune/Select]** to select the desired preset slot (1-10), press **[Tune/Select]** to store.

Press **[Preset]** to recall memory. Rotate **[Tune/Select]** to select the stored station you want to listen to. Press **[Tune/Select]** to confirm. If stations are saved in slot 1, 2 and/or 3, it's possible to quickly recall them by pressing **[1]**, **[2]** or **[3]**.

Show channel information: Press **[Info]** to show various forms of information regarding the station that is being played. Press **[Menu]** to show the current software version.

## RECORD PLAYER

---

1. Place the record on the turntable. If required, also place the adaptor on the record spindle.
2. Choose the desired playing speed using the speed selection switch (33- or 78rpm).
3. Turn on the unit.
4. Unlock the tone arm by releasing the tone arm clip.
5. Raise the arm with your hand lightly.
6. Place the stylus vertically over the first track of the record, the turntable will start turning automatically.
7. Lower the stylus slowly onto the record to play.
8. When a record comes to the end, the turntable will stop automatically if the auto-stop switch is in the ON position. If the switch is in the off position then it will keep revolving until the tone arm is returned to the tone arm rest manually.  
\* Some vinyl records stop before the end or do not stop when the end is reached. In this case set Auto-stop to OFF
9. Lift up the tone arm and put it on the rest when finished.
10. Lock the tone arm by closing the tone arm clip.
11. Turn off the power.

## BT PLAYBACK

---

Before transmission between your BT device and the radio is possible, both devices must be coupled. This process is called "pairing". The radio is served as a receiver, to receive the music stream to be played on the radio.

If you have already coupled to a BT device before, this connection will be restored automatically when both devices are in range and BT operation has been selected on the radio. "Pairing" does not have to be repeated. This function may need to be activated in your BT device, however.

- Press **[Mode]** until "BT" shows on the display.
- Turn on BT streaming on your device. The device will scan for pairable BT devices in the reception range.
- Select "Audizio Frisco" from the list with found devices.
- Start playback on your BT device. Playback now takes place emitting sound from the radio.



## AUX IN

---

You can listen to the music stored in other audio device or smart phone via the radio, through the connection to the 3.5 mm aux-in jack on the rear side. Use a cable with 3.5 mm pins at both ends, one end connected to the aux-in jack on the radio, the other end connected to the earphone jack on the audio device (or line out socket if available).

Press **[Mode]** until "AUX IN" shows on the display. Play music on the connected device, the sound will be emitted from the radio.

## ALARM SETTING

---

Alarms will only sound when the unit is "ON" or in "STANDBY".

Alarms can be switched on or off in standby mode, however, the alarm parameters can only be set when the unit is turned on.

To set or change alarm 1, press **[Alarm]** once, then select "ON" and press **[Tune/Select]**. To set or change alarm 2, press **[Alarm]** twice, then select "ON" and press **[Tune/Select]**. To exit the alarm setting mode, press **[Alarm]** again.

The alarm setup prompts you for the following parameters. Select a value for each parameter by rotating the **[Tune/Select]** knob and press **[Tune/Select]** to confirm and prompt the next parameter.

- Hours
- Minutes
- Daily, Weekdays, Weekends, Once  
Choose the days on which the alarm is active.
- Source – Beeper 1, Beeper 2, DAB or FM

Press **[Alarm]** or **[Power]** when the alarm is sounding to shut it off. The alarm will reset for the next day. The alarm will automatically shut off after 59 minutes when no input is registered.

## MENU

---

In DAB mode, press **[Menu]** and rotate the tuning knob to set the following:

- Auto Scan  
Perform a full scan of available DAB radio channels.
- Manual Tune  
Scan for DAB radio channels manually.
- Dynamic range compression (DRC) (Off/ High/ Low)  
This function reduces the difference between the loudest and quietest audio being broadcast. Effectively, this makes quiet sounds comparatively louder, and loud sounds comparatively quieter.  
**Note:** DRC only works if it is enabled by the broadcaster of the specific station.
- Prune  
Yes- remove all invalid stations.  
No- keep all stations.
- Set Time/Date
- System Reset  
Choose "YES" to clear all settings.
- SW version

In FM mode, press **[Menu]** and rotate the tuning knob to set the following:

- Scan Setting  
Select scan for Strong Stations or All Stations.
- Audio Setting  
Select Forced mono or Stereo allowed.
- Set Time/Date
- System Reset  
Choose "YES" to clear all settings.
- SW version

## NEDERLANDS

Hartelijk dank voor de aanschaf van dit Audizio product. Neemt u a.u.b. een paar momenten de tijd om deze handleiding zorgvuldig te lezen, aangezien wij graag willen dat u onze producten snel en volledig gebruikt.

Lees deze handleiding eerst door alvorens het product te gebruiken. Volg de instructies op anders zou de garantie wel eens kunnen vervallen. Neem ook altijd alle veiligheidsmaatregelen om brand en/of een elektrische schok te voorkomen. Tevens is het ook raadzaam om reparaties / modificaties e.d. over te laten aan gekwalificeerd personeel om een elektrische schok te voorkomen. Bewaar deze handleiding ook voor toekomstig gebruik.

- Bewaar de verpakking zodat u indien het apparaat defect is, dit in de originele verpakking kunt opsturen om beschadigingen te voorkomen.
- Voordat het apparaat in werking wordt gesteld, altijd eerst een deskundige raadplegen. Bij het voor de eerste keer inschakelen kan een bepaalde reuk optreden. Dit is normaal en verdwijnt na een poos.
- In het apparaat bevinden zich onder spanning staande onderdelen; open daarom NOOIT dit apparaat.
- Plaats geen metalen objecten en mors geen vloeistof in het effect. Dit kan leiden tot elektrische schokken of defecten.
- Toestel niet opstellen in de buurt van warmtebronnen zoals radiatoren etc. en niet op een vibrerende onder- grond plaatsen. Dek ventilatieopeningen nooit af.
- Het apparaat is niet geschikt voor continu gebruik.
- Wees voorzichtig met het netsnoer en beschadig deze niet. Als het snoer kapot of beschadigd is, kan dit leiden tot elektrische schokken of defecten.
- Als u de stekker uit het stopcontact neemt, trek dan niet aan het snoer, maar aan de stekker.
- Om brand of elektrische schok te voorkomen, dient u dit apparaat niet bloot te stellen aan regen of vocht.
- Verwijder of plaats een stekker nooit met natte handen resp. uit en in het stopcontact.
- Indien zowel de stekker en/of netsnoer als snoeringang in het apparaat beschadigd zijn dient dit door een vakman hersteld te worden.
- Indien het apparaat zo beschadigd is dat inwendige (onder)delen zichtbaar zijn mag de stekker NOOIT in het stopcontact worden geplaatst en het apparaat NOOIT worden ingeschakeld. Neem in dit geval contact op met de dealer.
- Sluit het apparaat nooit op een dimmer aan.
- Reparatie aan het apparaat dient te geschieden door een vakman of een deskundige.
- Sluit het apparaat alleen aan op een 220-240VAC / 50Hz (geaard) stopcontact, verbonden met een 10-16A meterkastgroep.
- Bij onweer altijd de stekker uit het stopcontact halen, zo ook wanneer het apparaat voor een langere tijd niet gebruikt wordt. Stelregel: Bij geen gebruik stekker verwijderen.
- Als u het apparaat lang niet gebruikt heeft en het weer wil gebruiken kan er condens ontstaan; laat het apparaat eerst op kamertemperatuur komen alvorens het weer in werking te stellen.
- Apparaat nooit in vochtige ruimten en buiten gebruiken.
- Om ongevallen in bedrijven te voorkomen moet rekening worden gehouden met de daarvoor geldende richtlijnen en moeten de aanwijzingen/waarschuwingen worden gevolgd.
- Het apparaat buiten bereik van kinderen houden. Bovendien mag het apparaat nooit onbeheerd gelaten worden.
- Gebruik geen schoonmaakspray om de schakelaars te reinigen. Restanten van deze spray zorgen ervoor dat smeer en stof ophopen. Raadpleeg bij storing te allen tijde een deskundige.
- Gebruik geen overmatige kracht bij het bedienen van het apparaat.
- Dit apparaat kan magnetisch veld veroorzaken. Houd dit apparaat ten minste 60 cm afstand van de computer of tv.
- Indien dit apparaat beschikt over een loodaccu, dient deze tenminste elke 3 maanden opgeladen te worden indien deze voor een langere periode niet wordt gebruikt anders bestaat de kans dat de accu permanent beschadigd.
- Bij een ongeval met dit product altijd eerst een deskundige raadplegen alvorens opnieuw te gebruiken.
- Tracht het apparaat niet schoon te maken met chemische oplossingen. Dit kan de lak beschadigen. Gebruik een droge doek om schoon te maken.
- Blijf uit de buurt van elektronische apparatuur die bromstoringen zouden kunnen veroorzaken.
- Bij reparatie dienen altijd originele onderdelen te worden gebruikt om onherstelbare beschadigingen en/of ontoelaatbare straling te voorkomen.
- Schakel eerst het toestel uit voordat u het netsnoer verwijderd. Verwijder netsnoer en aansluitsnoeren voordat u dit product gaat verplaatsen.
- Zorg ervoor dat het netsnoer niet beschadigd/defect kan raken wanneer mensen erover heen lopen. Het netsnoer vóór ieder gebruik controleren op breuken/defecten!
- In Nederland/België is de netspanning 220-240Vac/50Hz. Indien u reist (en u neemt het apparaat mee) informeer dan naar de netspanning in het land waar u verblijft.



Deze markering wordt weergegeven om u erop attent te maken dat een levensgevaarlijke spanning in het product aanwezig is en dat bij aanraking van deze delen een elektrische schok wordt verkregen.



Deze instructiemarkering wordt weergegeven om u erop te wijzen dat de instructie zeer belangrijk is om te lezen en/of op te volgen.

**OPMERKING:** Om zeker te zijn van een correcte werking, dient u dit apparaat in een ruimte te gebruiken waar de temperatuur tussen de 5°C/41°F en 35°C/95°F ligt.



Raadpleeg eventueel [www.wecycle.nl](http://www.wecycle.nl) en/of [www.vrom.nl](http://www.vrom.nl) v.w.b. het afदानken van elektronische apparaten in het kader van de WEEE-regeling. Vele artikelen kunnen worden gerecycled, gooi ze daarom niet bij het huisvuil maar lever ze in bij een gemeentelijk depot of uw dealer. Lever ook afgedankte batterijen in bij uw gemeentelijk depot of bij de dealer, zie [www.stibat.nl](http://www.stibat.nl)

*Alle (defecte) artikelen dienen gedurende de garantieperiode altijd retour te worden gezonden in de originele verpakking. Voer zelf geen reparaties uit aan het toestel; in elk geval vervalt de totale garantie. Ook mag het toestel niet eigenmachtig worden gemodificeerd, ook in dit geval vervalt de totale garantie. Ook vervalt de garantie bij ongevallen en beschadigingen in elke vorm t.g.v. onoordeelkundig gebruik en het niet in acht nemen van het gestelde in deze gebruiksaanwijzing. Tevens aanvaardt Audizio geen enkele aansprakelijkheid in geval van persoonlijke ongelukken als gevolg van het niet naleven van veiligheidsinstructies en waarschuwingen. Dit geldt ook voor gevolgschade in welke vorm dan ook.*

## UITPAKKEN

**LET OP!** Pak na ontvangst de doos zorgvuldig uit. Controleer of alle onderdelen aanwezig- en in goede staat ontvangen zijn. Bij transportschade of bij het ontbreken van onderdelen onmiddellijk de verkopende partij inlichten. Bewaar de verpakking en het verpakkingsmateriaal. Indien het product moet worden teruggestuurd, is het belangrijk dat het product in originele verpakking wordt geretourneerd. Schakel het apparaat niet onmiddellijk in als het apparaat is blootgesteld aan drastische temperatuurverschillen (bv. na het transport). De ontstane condensatie kan het apparaat beschadigen. Zorg ervoor dat het apparaat eerst op kamertemperatuur komt alvorens het aan te sluiten.

## AANSLUITSPANNING

Op het label aan de achterzijde van het product staat aangegeven op welke netspanning deze moet worden aangesloten. Controleer of de netspanning hiermee overeenkomt, bij alle andere netspanningen dan aangegeven kan het apparaat onherstelbaar worden beschadigd. Tevens moet het apparaat direct op de netspanning worden aangesloten en mag géén dimmer of regelbare voeding worden gebruikt.



Sluit het apparaat altijd aan op een beschermd circuit (aardlekschakelaar of zekering). Zorg ervoor dat het apparaat voldoende elektrisch is geaard om het risico op elektrocutie of brand te vermijden.

## BEDIENING

### 1. Volumeregelaar

Draai aan deze knop om het volume te regelen

### 2. Power

Aan / standby

### 3. Scan

Druk om automatisch naar zenders te scannen

### 4. Menu

Druk in DAB- en FM-modus om het desbetreffende menu te betreden

### 5. Info

Druk om kanaalinformatie te tonen

### 6. Alarm

Druk om een alarm in te stellen

### 7. Mode

Indrukken om van modus te veranderen  
Ingedrukt houden om fabrieksreset te starten

### 8. Preset

Ingedrukt houden om een kanaal als preset op te slaan  
Druk om opgeslagen presets op te roepen

### 9. Directe preset 1,2 & 3

Druk hierop om snel preset 1, preset 2 of preset 3 op te roepen

### 10. Tune/Select

Draaien om af te stemmen  
Drukken om te selecteren

### 11. LCD-scherm

### 12. Luidspreker

### 13. Antenne

### 14. DC 5V ingang

### 15. AUX IN 3.5mm Jack-aansluiting

### 16. Hoofdtelefoonuitgang

### 17. USB

Usb-aansluiting voor afspelen van muziekbestanden

### 18. Draaitafel

### 19. 45rpm adapter

Met deze adapter kun je 45RPM platen afspelen

### 20. 33 / 45 / 78 TPM schakelaar

Voor het instellen van het toerental van het draaiplateau

### 21. Autostop AAN/UIT

Deze schakelaar zet de automatische stop-functie aan/uit. Wanneer de automatische stop is ingeschakeld, begint het platform te draaien zodra de toonarm over de plaat wordt geplaatst en stopt het met draaien wanneer het het einde van de plaat heeft bereikt. Sommige vinylplaten stoppen voor het einde of stoppen niet wanneer het einde is bereikt. Stel in dat geval Auto-stop in op OFF

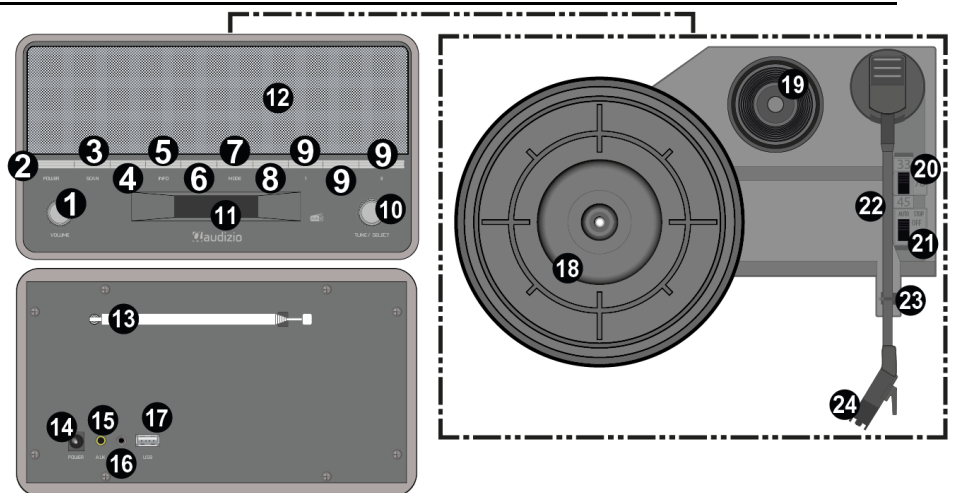
### 22. Toonarm

### 23. Toonarm klem

Deze armklem zet de toonarm vast wanneer deze in rust is of niet wordt gebruikt. De armklem is ontworpen om in de opwaartse positie te blijven terwijl hij ontgrendeld is

### 24. Stylus cartridge

Patroon met de naald



## AAN DE SLAG GAAN

---

- Haal de platenspelerradio uit de verpakking.
  - Sluit de voedingsadapter aan of plaats de juiste batterijen en druk op **[Power]**.
- Let op:** Gebruik alleen de bij de radio geleverde adapter. Het aansluiten van een voeding met een andere rating kan permanente schade aan de radio veroorzaken en kan gevaarlijk zijn.

## DAB+

---

Als er Digital Audio Broadcasting (DAB) in uw omgeving is, kan de radio ook de DAB-zenders ophalen. De radio ondersteunt zowel DAB als DAB+. Plaats de radio dicht bij het raam en strek de antenne zo ver mogelijk uit om de beste ontvangst te krijgen. Soms moet u de richting van de antenne aanpassen om de ontvangst te verbeteren. Druk op **[Mode]** om over te schakelen naar DAB modus.

Automatische selectie: Druk op **[Scan]**, "AUTOTUNE FULL SCAN" verschijnt op het display. Het aantal gevonden zenders verschijnt in de rechterbovenhoek van het display. De radio begint de eerste gevonden zender automatisch af te spelen nadat het scannen is voltooid. Draai aan de knop **[Tune/Select]** om een andere DAB-zender te selecteren. Druk op **[Tune/Select]** om te bevestigen.

Handmatig kiezen: Houd **[Tune/Select]** ingedrukt tot "MANUAL TUNE" op het display verschijnt. Draai aan de knop **[Tune/Select]** om een zender te kiezen. Druk op **[Tune/Select]** om te bevestigen.

Voorkeuzezenders: Houd tijdens het afspelen in de DAB-modus **[Preset]** ingedrukt. "Preset Empty X" verschijnt op het display. Draai aan de knop **[Tune/Select]** om de gewenste voorkeurszender (1-10) te kiezen en druk op **[Tune/Select]** om deze op te slaan. Druk op **[Preset]** om het geheugen op te roepen. Draai aan de knop **[Tune/Select]** om de opgeslagen zender te selecteren waarnaar u wilt luisteren. Druk op **[Tune/Select]** om te bevestigen. Als zenders zijn opgeslagen in geheugenplaats 1, 2 en/of 3, kunnen ze snel worden opgeroepen door op **[1]**, **[2]** of **[3]** te drukken.

Toon kanaalinformatie: Druk op **[Info]** om verschillende vormen van informatie te tonen over de zender die wordt afgespeeld. Druk op **[Menu]** om de huidige softwareversie te tonen.

## FM RADIO

---

Om de gewone FM-zenders te ontvangen, plaatst u de radio dicht bij het raam en steekt u de antenne zover mogelijk uit om de beste ontvangst te krijgen. Mogelijk moet u de richting van de antenne aanpassen om de ontvangst te verbeteren.

Druk op **[Mode]** om de FM-functie te kiezen. Druk op **[Scan]**, de radio begint te zoeken naar kanalen. Wanneer een kanaal is gevonden, zal het automatisch worden afgespeeld. Als de ontvangst niet naar wens is, gebruikt u de knop **[Tune/Select]** om de frequentie handmatig fijn af te stellen.

Zender voorkeuze: Houd tijdens het afspelen in de FM-functie **[Preset]** ingedrukt. "Preset Empty X" verschijnt op het display. Draai aan de knop **[Tune/Select]** om de gewenste voorkeurszender (1-10) te selecteren en druk op **[Tune/Select]** om deze op te slaan.

Druk op **[Preset]** om het geheugen op te roepen. Draai aan de knop **[Tune/Select]** om de opgeslagen zender te selecteren waarnaar u wilt luisteren. Druk op **[Tune/Select]** om te bevestigen. Als zenders zijn opgeslagen in geheugenplaats 1, 2 en/of 3, kunnen ze snel worden opgeroepen door op **[1]**, **[2]** of **[3]** te drukken.

Toon kanaalinformatie: Druk op **[Info]** om verschillende vormen van informatie te tonen over de zender die wordt afgespeeld. Druk op **[Menu]** om de huidige softwareversie te tonen.

## BT AF SPELEN

---

Voordat transmissie tussen uw BT-apparaat en de radio mogelijk is, moeten beide apparaten gekoppeld worden. Dit proces wordt "pairing" genoemd. De radio dient als ontvanger, om de muziekstroom te ontvangen die op de radio moet worden afgespeeld. Als u al eerder met een BT-apparaat hebt gekoppeld, wordt deze verbinding automatisch hersteld wanneer beide apparaten binnen bereik zijn en de BT-bediening op de radio is geselecteerd. "Koppelen" hoeft niet te worden herhaald. Deze functie moet mogelijk wel geactiveerd worden op uw BT-apparaat.

- Druk op **[Mode]** totdat "BT" op het display verschijnt.
- Zet BT-streaming op uw apparaat aan. Het apparaat zal scannen naar koppelbare BT-apparaten in het ontvangstbereik.
- Selecteer "Audizio Frisco" in de lijst met gevonden apparaten.
- Start de weergave op uw BT-apparaat. Het afspelen vindt nu plaats via de luidsprekers van de radio.

## AUX IN

---

U kunt luisteren naar de muziek die is opgeslagen in een ander audioapparaat of smartphone op de radio, via de aansluiting op de 3,5 mm aux-in aansluiting aan de achterzijde. Gebruik de kabel met beide uiteinden in de 3,5 mm-pen, het ene uiteinde aan de aux-ingang op de radio, het andere uiteinde aan de oortelefoonaansluiting op het audioapparaat of als deze een line out-aansluiting heeft. Druk op **[Mode]** totdat "AUX IN" op het display verschijnt. Speel muziek af op het aangesloten apparaat, het geluid zal uit de radio komen.

## ALARM INSTELLING

---

Alarmeren klinken alleen wanneer het toestel "AAN" staat (net- of batterijvoeding) of in "STANDBY" (alleen netvoeding). Alarmeren kunnen worden in- of uitgeschakeld in stand-by, maar de alarmparameters kunnen alleen worden ingesteld wanneer het toestel is ingeschakeld.

Om alarm 1 in te stellen of te veranderen, drukt u eenmaal op **[Alarm]**. Kies vervolgens "ON" en druk **[Tune/Select]**. Om alarm 2 in te stellen of te veranderen, drukt u tweemaal op **[Alarm]**, kiest u vervolgens "ON" en drukt u op **[Tune/Select]**. Om de alarminstelling te verlaten, drukt u nogmaals op **[Alarm]**.

De alarminstelling vraagt u om de volgende parameters. Kies een waarde voor elke parameter door aan de knop **[Tune/Select]** te draaien en druk op **[Tune/Select]** om te bevestigen en naar de volgende parameter te gaan.

- Uren
- Minuten
- Dagelijks, Weekdagen, Weekenden, Eenmaal  
Kies de dagen waarop het alarm actief is
- Bron – Pieper 1, pieper 2, DAB of FM

Druk op **[Alarm]** of **[Power]** als de wekker afgaat om hem uit te zetten. De wekker wordt opnieuw ingesteld voor de volgende dag. De wekker schakelt automatisch uit na 59 minuten wanneer er geen invoer is geregistreerd.

## MENU

---

Druk in de DAB-modus op **[Menu]** en draai aan de afstemknop om het volgende in te stellen:

- Auto Scan  
Voer een volledige scan uit van de beschikbare DAB-radiokanalen.
- Manual Tune  
Handmatig naar DAB-radiokanalen scannen.
- Dynamic range compression (DRC) (Off/ High/ Low)  
Deze functie vermindert het verschil tussen het luidste en het stilste geluid dat wordt uitgezonden. Hierdoor worden stille geluiden relatief luider en harde geluiden relatief stiller.  
**Opmerking:** DRC werkt alleen als het is ingeschakeld door de zender in kwestie.
- Prune  
Yes- verwijder alle ongeldige stations.  
No- houd alle stations.
- Set Time/Date
- System Reset  
Kies "YES" om alle instellingen te wissen.
- SW version

Druk in de FM-modus op **[Menu]** en draai aan de afstemknop om het volgende in te stellen:

- Scan Setting  
Selecteer om te scannen naar Strong Stations of All Stations.
- Audio Setting  
Selecteer Forced mono of Stereo allowed.
- Set Time/Date
- System Reset  
Kies "YES" om alle instellingen te wissen.
- SW version

## DEUTSCH

Vielen Dank für den Kauf dieses Audiziosgeräts. Nehmen Sie sich einen Augenblick Zeit, um diese Anleitung sorgfältig durchzulesen, damit Sie die Möglichkeiten, die unser Produkt bietet, sofort voll ausnutzen können.

Lesen Sie erst die Anleitung vollständig vor der ersten Inbetriebnahme durch. Befolgen Sie die Anweisung, da sonst jeglicher Garantieanspruch verfällt. Treffen Sie stets alle Sicherheitsvorkehrungen um Feuer und/oder Stromschlag zu vermeiden. Reparaturen dürfen nur von qualifiziertem Fachpersonal ausgeführt werden, um Stromschlag zu vermeiden. Bewahren Sie diese Anleitung für spätere Bezugnahme auf.

- Bewahren Sie die Verpackung auf, um das Gerät im Bedarfsfall sicher transportieren zu können.
  - Bevor das Gerät in Betrieb genommen wird, muss es erst von einem Fachmann überprüft werden. Bei der ersten Benutzung kann etwas Geruch auftreten. Das ist normal und verschwindet nach einer Weile.
  - Das Gerät enthält unter Spannung stehende Teile. Daher NIEMALS das Gehäuse öffnen.
  - Keine Metallgegenstände oder Flüssigkeiten ins Gerät dringen lassen. Sie können zu Stromschlag und Defekten führen.
  - Gerät nicht in der Nähe von Wärmequellen wie Heizkörpern aufstellen. Nicht auf eine vibrierende Oberfläche stellen. Niemals die Belüftungsschlitze abdecken.
  - Das Gerät ist nicht für Dauerbetrieb geeignet.
  - Gehen Sie vorsichtig mit dem Netzkabel um und beschädigen Sie es nicht. Eine beschädigte Netzschnur kann zu Stromschlag und Defekten führen.
  - Wenn Sie das Gerät vom Netz trennen, immer am Stecker ziehen, niemals an der Schnur.
  - Um Feuer und Stromschlag zu vermeiden, das Gerät vor Regen und Feuchtigkeit schützen.
  - Den Stecker nie mit nassen Händen in eine Netzsteckdose stecken oder abziehen.
  - Wenn sowohl der Stecker und/oder die Netzschnur bzw. der Kabeleintritt ins Gerät beschädigt sind, müssen sie von einem Fachmann repariert werden.
  - Wenn das Gerät so beschädigt ist, dass Innenteile sichtbar sind, darf der Stecker NICHT in eine Steckdose gesteckt werden und das Gerät darf NICHT eingeschaltet werden. Wenden Sie sich in dem Fall an Ihren Fachhändler. Das Gerät darf nicht an einen Dimmer angeschlossen werden.
  - Reparaturen dürfen nur von einem Fachmann oder Sachverständigen ausgeführt werden.
  - Das Gerät nur an eine geerdete 10-16A Netzsteckdose mit 220-240V AC/50Hz Spannung anschließen.
  - Bei Gewitter oder längerem Nichtgebrauch den Netzstecker abziehen. Die Regel gilt: Bei Nichtgebrauch Netzstecker abziehen.
  - Wenn das Gerät längere Zeit nicht benutzt wurde, kann sich Kondenswasser gebildet haben. Lassen Sie das Gerät erst auf Zimmertemperatur kommen, bevor Sie es einschalten.
- Das Gerät nicht in feuchten Räumen oder im Freien benutzen.
  - Um Unfällen in der Öffentlichkeit vorzubeugen, müssen die geltenden Richtlinien beachtet und die Anweisungen/Warnungen befolgt werden.
  - Niemals das Gerät kurz hintereinander ein- und ausschalten. Dadurch verkürzt sich die Lebensdauer erheblich.
  - Das Gerät außerhalb der Reichweite von Kindern halten. Das Gerät niemals unbeaufsichtigt lassen.
  - Die Regler nicht mit Reinigungssprays reinigen. Diese hinterlassen Rückstände, die zu Staub- und Fettansammlungen führen. Bei Störungen immer einen Fachmann um Rat fragen.
  - Das Gerät nur mit sauberen Händen bedienen.
  - Das Gerät nicht mit Gewalt bedienen.
  - Dieses Gerät kann dazu führen Magnetfeld. Halten Sie das Gerät mindestens 60 cm vom Computer oder Fernseher.
  - Wenn dieses Gerät eine Blei-Säure-Batterie hat, soll dies jede 3 Monate zumindest wieder aufgeladen werden, wenn es nicht für eine längere Zeit nicht benutzt wird, sonst ist es möglich, dass die Batterie dauerhaft beschädigt.
  - Fachmann um Rat fragen, bevor Sie es wieder einschalten.
  - Keine chemischen Reinigungsmittel benutzen, die den Lack beschädigen. Das Gerät nur mit einem trockenen Tuch abwischen.
  - Nicht in der Nähe von elektronischen Geräten benutzen, die Brummstörungen verursachen können.
  - Bei Reparaturen nur die Original-Ersatzteile verwenden, um starke Schäden und/oder gefährliche Strahlungen zu vermeiden.
  - Bevor Sie das Netz- und/oder Anschlusskabel abziehen, erst das Gerät ausschalten. Netz- und Anschlusskabel abziehen, bevor Sie das Gerät umstellen.
  - Sorgen Sie dafür, dass das Netzkabel nicht beschädigt werden kann, wenn Menschen darüber laufen. Das Netzkabel vor jedem Einsatz auf Brüche/Schadstellen überprüfen.
  - In Deutschland beträgt die Netzspannung 220-240V AC / 50Hz. Wenn Sie das Gerät auf Reisen mitnehmen, prüfen Sie, ob die örtliche Netzspannung den Anforderungen des Geräts entspricht.



Dieses Zeichen weist den Benutzer darauf hin, dass lebensgefährliche Spannungen im Gerät anliegen, die bei Berührung einen Stromschlag verursachen.



Dieses Zeichen lenkt die Aufmerksamkeit des Benutzers auf wichtige Hinweise in der Anleitung hin, die unbedingt eingehalten werden müssen.

**HINWEIS:** Um einen einwandfreien Betrieb zu gewährleisten, muss die Raumtemperatur zwischen 5° und 35°C liegen.



Tronios BV Registrierungsnummer : DE51181017 (ElektroG).

Dieses Produkt darf am Ende seiner Lebensdauer nicht über den normalen Haushaltsabfall entsorgt werden, sondern muss an einem Sammelpunkt für das Recycling abgegeben werden. Hiermit leisten Sie einen wichtigen Beitrag zum Schutze unserer Umwelt.

Tronios BV Registrierungsnummer : 21003000 (BatterieG).

Lithiumbatterien und Akkupacks sollten nur im entladenen Zustand in die Altbatteriesammelgefäße bei Handel und bei öffentlich-rechtlichen Entsorgungsträgern gegeben werden. Bei nicht vollständig entladenen Batterien Vorsorge gegen Kurzschluss treffen durch Isolieren der Pole mit Klebestreifen. Der Endnutzer ist zur Rückgabe von Altbatterien gesetzlich verpflichtet.

*Reparieren Sie das Gerät niemals selbst und nehmen Sie niemals eigenmächtig Veränderungen am Gerät vor. Sie verlieren dadurch den Garantieanspruch. Der Garantieanspruch verfällt ebenfalls bei Unfällen und Schäden in jeglicher Form, die durch unsachgemäßen Gebrauch und Nichtbeachtung der Warnungen und Sicherheitshinweise in dieser Anleitung entstanden sind. Audizio ist in keinem Fall verantwortlich für persönliche Schäden in Folge von Nichtbeachtung der Sicherheitsvorschriften und Warnungen. Dies gilt auch für Folgeschäden jeglicher Form.*

## AUSPACKEN

Packen Sie das Gerät sofort nach Empfang aus und prüfen Sie den Inhalt. Wenn Teile fehlen oder beschädigt sind, benachrichtigen Sie sofort den Spediteur und bewahren Sie die Verpackung auf. Falls ein Gerät ins Werk zurückgeschickt werden muss, ist es wichtig, dass es in der Originalverpackung versandt wird. Das Gerät darf nicht in Betrieb genommen werden, nachdem es von einem kalten in einen warmen Raum gebracht wurde. Das dabei entstehende Kondenswasser kann unter Umständen Ihr Gerät zerstören. Lassen Sie das Gerät solange uneingeschaltet, bis es Zimmertemperatur erreicht hat!

## NETZANSCHLUSS

Die benötigte Versorgungsspannung steht auf dem Typenschild auf der Rückseite des Geräts. Die angegebenen Stromwerte entsprechen einem Durchschnittswert bei normalem Betrieb. Alle Geräte müssen direkt ans Netz angeschlossen werden und dürfen nicht über Dimmerpacks geschaltet werden. Bevor Sie eine Spannung anlegen, prüfen Sie, ob der Wert der zulässigen Spannung entspricht.



Verbinden Sie immer das Gerät an einem geschützten Schaltkreis (Leistungsschalter oder Sicherung). Stellen Sie sicher, das Gerät ist elektrisch geerdet, um das Risiko eines Stromschlags oder Feuer zu vermeiden.

## BEDIENUNG

### 1. Lautstärkeregler

Drehen, um die Lautstärke einzustellen

### 2. Power

Ein/Standby

### 3. Scan

Drücken Sie, um automatisch nach Sendern zu suchen

### 4. Menu

Drücken Sie im DAB- und FM-Modus, um das entsprechende Menü aufzurufen

### 5. Info

Drücken, um die Kanalinformationen anzuzeigen

### 6. Alarm

Drücken, um einen Alarm einzustellen

### 7. Mode

Drücken, um den Modus zu ändern

Drücken und halten Sie die Taste, um das Zurücksetzen auf die Werkseinstellungen zu starten

### 8. Preset

Drücken und halten Sie die Taste, um einen Kanal als Voreinstellung zu speichern

Drücken, um gespeicherte Voreinstellungen aufzurufen

### 9. Direkte Voreinstellung 1, 2 & 3

Drücken, um Voreinstellung 1, Voreinstellung 2 oder Voreinstellung 3 schnell abzurufen

### 10. Tune/Select

Drehen zum Abstimmen

Drücken Sie zur Auswahl

### 11. LCD-Anzeige

### 12. Lautsprecher

### 13. Antenne

### 14. DC 5V Eingang

### 15. AUX-Eingangsbuchse 3,5 mm

### 16. Kopfhörerausgang

### 17. USB

USB-Buchse für Wiedergabezwecke

### 18. Drehscheibe

### 19. 45rpm-Adapter

Mit diesem Adapter können Sie 45RPM-Schallplatten abspielen

### 20. 33 / 45 / 78 rpm Schalter

Zum Einstellen der Drehscheibengeschwindigkeit

### 21. Autostop EIN/AUS

Dieser Schalter schaltet die automatische Stoppfunktion ein/aus. Wenn die automatische Abschaltung aktiviert ist, beginnt sich die Plattform zu drehen, sobald der Tonarm über die Schallplatte gelegt wird, und hört auf, sich zu drehen, wenn sie das Ende der Schallplatte erreicht. Manche Schallplatten hören vor dem Ende auf oder halten nicht an, wenn das Ende erreicht ist. Setzen Sie in diesem Fall Auto-Stopp auf OFF

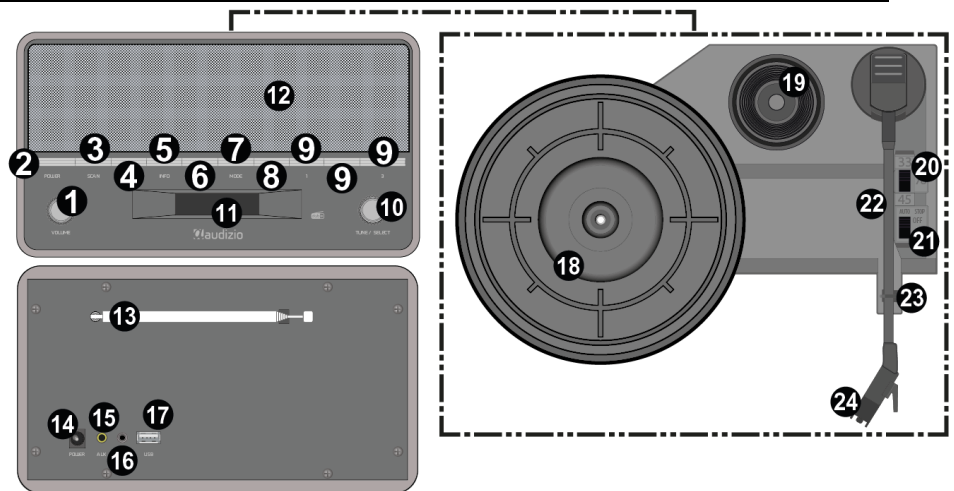
### 22. Tonarm

### 23. Tonarm Klammer

Diese Armklemme sichert den Tonarm, wenn er ruht oder nicht benutzt wird. Die Armklemme ist so konstruiert, dass sie im entriegelten Zustand in der oberen Position bleibt

### 24. Tonabnehmerpatrone

Muster mit der Nadel



## ERSTE SCHRITTE

---

- Nehmen Sie das Radio aus der Verpackung.
  - Schließen Sie den Netzadapter an oder legen Sie die entsprechenden Batterien ein und drücken Sie **[Power]**.
- Hinweis:** Verwenden Sie nur den mit dem Funkgerät gelieferten Netzadapter. Der Anschluss eines Netzteils mit einem anderen Nennwert kann zu dauerhaften Schäden am Funkgerät führen und ist möglicherweise gefährlich.

## DAB+

---

Wenn in Ihrer Region Digital Audio Broadcasting (DAB) verfügbar ist, kann das Radio auch DAB-Sender empfangen. Das Radio unterstützt sowohl DAB als auch DAB+. Stellen Sie das Radio in der Nähe des Fensters auf und fahren Sie die Antenne so weit wie möglich aus, um einen optimalen Empfang zu gewährleisten. Manchmal müssen Sie die Richtung der Antenne anpassen, um den Empfang zu verbessern. Drücken Sie **[Mode]**, um in den DAB-Modus zu wechseln.

Automatische Auswahl: Drücken Sie **[Scan]**, "AUTOTUNE FULL SCAN" erscheint auf dem Display. Die Anzahl der gefundenen Sender wird in der oberen rechten Ecke des Displays angezeigt. Das Radio beginnt automatisch mit der Wiedergabe des ersten gefundenen Senders, nachdem der Suchlauf abgeschlossen ist. Drehen Sie den **[Tune/Select]**-Knopf, um einen anderen DAB-Sender auszuwählen. Drücken Sie zur Bestätigung **[Tune/Select]**.

Manuell auswählen: Halten Sie **[Tune/Select]** gedrückt, bis "MANUAL TUNE" auf dem Display erscheint. Drehen Sie den **[Tune/Select]**-Knopf, um einen Sender auszuwählen. Drücken Sie zur Bestätigung **[Tune/Select]**.

Voreingestellte Sender: Halten Sie **[Preset]** während der Wiedergabe im DAB-Modus gedrückt. Auf dem Display erscheint "Preset Empty X". Drehen Sie den **[Tune/Select]**-Knopf, um den gewünschten voreingestellten Sender (1-10) auszuwählen, und drücken Sie **[Tune/Select]**, um ihn zu speichern. Drücken Sie **[Preset]**, um den Speicher abzurufen. Drehen Sie den **[Tune/Select]**-Knopf, um den gespeicherten Sender auszuwählen, den Sie hören möchten. Drücken Sie zur Bestätigung **[Tune/Select]**. Wenn Sender auf den Speicherkanälen 1, 2 und/oder 3 gespeichert sind, können sie durch Drücken von **[1]**, **[2]** oder **[3]** schnell abgerufen werden.

Kanalinformationen anzeigen: Drücken Sie **[Info]**, um verschiedene Informationen über den wiedergegebenen Kanal anzuzeigen. Drücken Sie **[Menu]**, um die aktuelle Softwareversion anzuzeigen.

## FM RADIO

---

Um reguläre UKW-Sender zu empfangen, stellen Sie das Radio in der Nähe des Fensters auf und fahren Sie die Antenne so weit wie möglich aus, um den besten Empfang zu erhalten. Möglicherweise müssen Sie die Richtung der Antenne anpassen, um den Empfang zu verbessern.

Drücken Sie **[Mode]**, um den FM-Modus zu wählen. Drücken Sie **[Scan]**, das Radio beginnt mit der Suche nach Kanälen. Wenn ein Kanal gefunden wird, wird er automatisch abgespielt. Wenn der Empfang nicht zufriedenstellend ist, verwenden Sie die **[Tune/Select]**-Taste zur manuellen Feinabstimmung der Frequenz.

Senderspeicherung: Halten Sie während der Wiedergabe im FM-Modus **[Preset]** gedrückt. Auf dem Display erscheint "Preset Empty X". Drehen Sie den **[Tune/Select]**-Knopf, um den gewünschten voreingestellten Sender (1-10) auszuwählen, und drücken Sie **[Tune/Select]**, um ihn zu speichern.

Drücken Sie **[Preset]**, um den Speicher abzurufen. Drehen Sie den **[Tune/Select]**-Knopf, um den gespeicherten Sender auszuwählen, den Sie hören möchten. Drücken Sie zur Bestätigung **[Tune/Select]**. Wenn Sender auf den Speicherkanälen 1, 2 und/oder 3 gespeichert sind, können sie durch Drücken von **[1]**, **[2]** oder **[3]** schnell abgerufen werden.

Kanalinformationen anzeigen: Drücken Sie **[Info]**, um verschiedene Informationen über den wiedergegebenen Kanal anzuzeigen. Drücken Sie **[Menu]**, um die aktuelle Softwareversion anzuzeigen.

## BT WIEDERGABE

---

Bevor eine Übertragung zwischen Ihrem BT-Gerät und dem Funkgerät möglich ist, müssen beide Geräte gekoppelt werden. Dieser Vorgang wird als "Pairing" bezeichnet. Das Radio dient als Empfänger, um den Musikstrom für die Wiedergabe im Radio zu empfangen. Wenn Sie schon einmal mit einem BT-Gerät gekoppelt haben, wird diese Verbindung automatisch wiederhergestellt, wenn beide Geräte in Reichweite sind und der BT-Betrieb am Radio ausgewählt wurde. Das "Pairing" muss nicht wiederholt werden. Diese Funktion muss jedoch möglicherweise in Ihrem BT-Gerät aktiviert werden.

- Drücken Sie **[Mode]**, bis "BT" auf dem Display angezeigt wird.
- Aktivieren Sie das BT-Streaming auf Ihrem Gerät. Das Gerät sucht nach koppelbaren BT-Geräten im Empfangsbereich.
- Wählen Sie "Audizio Frisco" aus der Liste der gefundenen Geräte.
- Starten Sie die Wiedergabe auf Ihrem BT-Gerät. Die Wiedergabe erfolgt nun über die Lautsprecher des Radios.

## AUX ANSCHLUSS

---

Über den Anschluss an die 3,5-mm-Aux-In auf der Rückseite können Sie die in einem anderen Audiogerät oder Smartphone gespeicherte Musik über das Radio hören. Verwenden Sie das Kabel mit beiden Enden in 3,5-mm-Stift, ein Ende an die Aux-In-Buchse am Radio, das andere Ende an die Kopfhörerbuchse am Audiogerät oder wenn es eine Line-Out-Buchse hat. Drücken Sie **[Mode]**, bis "AUX IN" auf dem Display angezeigt wird. Spielen Sie Musik auf dem angeschlossenen Gerät ab, der Ton wird vom Radio ausgegeben.



## ALARMEINSTELLUNG

---

Alarmer ertönen nur, wenn das Gerät auf "ON" (Netz- oder Batteriebetrieb) oder auf "STANDBY" (nur Netzbetrieb) steht. Alarmer können im Standby-Modus aktiviert oder deaktiviert werden, aber die Alarmparameter können nur eingestellt werden, wenn das Gerät eingeschaltet ist. Um Alarm 1 einzustellen oder zu ändern, drücken Sie einmal auf **[Alarm]**. Wählen Sie dann "ON" und drücken Sie **[Tune/Select]**. Um den Alarm 2 einzustellen oder zu ändern, drücken Sie zweimal **[Alarm]**, wählen Sie dann "ON" und drücken Sie **[Tune/Select]**. Um die Alarmeinstellung zu beenden, drücken Sie erneut **[Alarm]**.

Bei der Alarmeinstellung werden Sie aufgefordert, die folgenden Parameter einzugeben. Wählen Sie einen Wert für jeden Parameter, indem Sie den **[Tune/Select]**-Knopf drehen und **[Tune/Select]** drücken, um zu bestätigen und zum nächsten Parameter zu gehen.

- Stunden
- Minuten
- Täglich, wochentags, am Wochenende, einmalig  
Wählen Sie die Tage, an denen der Alarm aktiv ist
- Quelle - Signalton 1, Signalton 2, DAB oder FM

Drücken Sie **[Alarm]** oder **[Power]**, wenn der Alarm ertönt, um ihn auszuschalten. Der Wecker wird für den nächsten Tag zurückgestellt. Der Alarm schaltet sich automatisch nach 59 Minuten ab, wenn kein Eintrag registriert wurde.

## MENÜ

---

Drücken Sie im DAB-Modus **[Menu]** und drehen Sie den Abstimmknopf, um Folgendes einzustellen:

- Auto Scan  
Durchführen eines vollständigen Scans der verfügbaren DAB-Radiosender.
- Manual Tune  
Manuelles Suchen nach DAB-Radiokanälen.
- Dynamic range compression (DRC) (Off/ High/ Low)  
Diese Funktion verringert den Unterschied zwischen dem lautesten und dem leisesten übertragenen Ton. Dadurch werden leise Töne relativ lauter und laute Töne relativ leiser.  
**Hinweis:** DRC funktioniert nur, wenn der betreffende Sender diese Funktion aktiviert hat.
- Prune  
Yes- alle ungültigen Radiosender löschen.  
No- alle Radiosender behalten.
- Set Time/Date
- System Reset  
Wählen Sie "YES", um alle Einstellungen zu löschen.
- SW version

Drücken Sie im FM-Modus **[Menu]** und drehen Sie den Abstimmknopf, um Folgendes einzustellen:

- Scan Setting  
Wählen Sie, ob Sie nach starken Sendern oder allen Sendern suchen möchten.
- Audio Setting  
Wählen Sie Forced Mono oder Stereo Allowed.
- Set Time/Date
- System Reset  
Wählen Sie "YES", um alle Einstellungen zu löschen.
- SW version

Felicitaciones a la compra de este producto Audizio. Por favor lea atentamente este manual antes de usar el aparato para disfrutar al completo de sus prestaciones.

Seguir las instrucciones le permite no invalidar la garantía. Tome todas las precauciones para evitar que se produzca fuego o una descarga eléctrica. Las reparaciones solo deben llevarse a cabo por técnicos cualificados para evitar descargas eléctricas. Guarde el manual para futuras consultas.

sentirse cierto olor. Esto es normal y desaparece al poco tiempo.

- Este aparato contiene piezas que llevan voltaje. Por lo tanto NO abra la carcasa.
- No coloque objetos metálicos o vierta líquidos dentro del aparato. Podría producir descargas eléctricas y fallos en el funcionamiento.
- No coloque el aparato cerca de fuentes de calor tipo radiadores, etc. No coloque el aparato en superficies vibratorias. No tape los agujeros de ventilación.
- Este aparato no está preparado para un uso continuado.
- Tenga cuidado con el cable de alimentación y no lo dañe. Un daño o defecto en el cable de alimentación puede producir una descarga eléctrica o fallo en el funcionamiento.
- Cuando desconecte el aparato de la toma de corriente, siempre tire de la clavija, nunca del cable.
- No enchufe o desenchufe el aparato con las manos mojadas.
- Si la clavija y/o el cable de alimentación están dañados, necesitan reemplazarse por un técnico cualificado.
- Si el aparato está dañado de modo que puedan verse sus partes internas, NO conecte el aparato a la toma de corriente y NO lo encienda. Contacte con su distribuidor. NO conecte el aparato a un reostato o dimmer.
- Para evitar un fuego o peligro de descarga, no exponga el aparato a la lluvia y a la humedad.
- Todas las reparaciones deben llevarse a cabo exclusivamente por técnicos cualificados.
- Conecte el aparato a una toma de corriente con toma de tierra (220-240Vca/50Hz) protegida por un fusible de 10-16A.
- Durante una tormenta o si el aparato no va a usarse durante un periodo largo de tiempo, desconéctelo de la toma de corriente. La regla es: Desconéctelo si no lo va a usar.
- Si el aparato no se ha usado en mucho tiempo puede producirse condensación. Deje el aparato a temperatura ambiente antes de encenderlo. Nunca utilice el aparato en ambientes húmedos o en el exterior.
- Para prevenir accidentes en las empresas, debe seguir las directrices aplicables y seguir las instrucciones.
- No lo apague y encienda repetidamente. Esto acorta su tiempo de vida.
- Mantenga el aparato fuera del alcance de los niños. No deje el aparato sin vigilancia.
- No utilice sprays limpiadores para limpiar los interruptores. Los residuos de estos sprays producen depósitos de polvo y grasa. En caso de mal funcionamiento, siempre consulte a un profesional.
- No fuerce los controles.
- Si el aparato se ha caído, siempre haga que lo verifique un técnico cualificado antes de encenderlo otra vez.
- NO utilice productos químicos para limpiar el aparato. Dañan el barniz. Tan solo límpielo con un trapo seco.
- Manténgalo lejos de equipos electrónicos ya que pueden producir interferencias.
- Si este producto incorpora una batería recargable con base ácida, por favor recargue batería cada 3 meses si no va a usar la unidad por un tiempo prolongado. En caso contrario la batería podría dañarse.
- Solo utilice recambios originales para las reparaciones, de otro modo pueden producirse daños serios y/o radiaciones peligrosas.
- Apague el aparato antes de desconectarlo de la toma de corriente y/o de otros equipos. Desconecte todos los cables y conexiones antes de mover el aparato.
- Asegúrese de que el cable de alimentación no puede dañarse cuando la gente lo pise. Compruebe el cable de alimentación antes de cada uso por si hay daños o defectos.
- El voltaje de funcionamiento es 220-240Vca/50Hz. Compruebe que la toma de corriente coincide. Si tiene que viajar, asegúrese de que el voltaje del país es el adecuado para este aparato.
- Guarde el embalaje original para poder transportar el aparato en condiciones seguras.



Esta señal advierte al usuario de la presencia de alto voltaje en el interior de la carcasa y que es de la suficiente magnitud como para producir una descarga eléctrica.



Esta señal advierte al usuario de que el manual contiene instrucciones importantes que han de leerse y seguirse al pie de la letra.

**NOTA:** Para asegurarse de que el aparato funcione correctamente, debe usarse en ambientes a una temperatura de entre 5°C/41°F y 35°C/95°F.



Los productos electrónicos no pueden tirarse a la basura normal. Por favor lleve este producto a un centro de reciclaje. Pregunte a la autoridad local en caso de duda. Las especificaciones son generales. Los valores actuales pueden variar de una unidad a otra. Las especificaciones pueden variar sin previo aviso.

*Nunca intente reparar usted mismo este equipo. Esta manipulación anulará la garantía. No realice cambios en la unidad. Esta manipulación anulará la garantía. Esta garantía no es aplicable en caso de accidente o daños ocasionados por uso indebido del aparato o mal uso del mismo. Audizio no se hace responsable de daños personales causados por el no seguimiento de las normas e instrucciones de este manual. Esto es aplicable también a los daños de cualquier tipo.*

## INSTRUCCIONES DE DESEMBALAJE

**ATENCIÓN!** Inmediatamente después de recibir un dispositivo, desempaqué cuidadosamente la caja de cartón, compruebe el contenido para asegurarse de que todas las partes están presentes, y se han recibido en buenas condiciones. Notifique inmediatamente al transportista y conserve el material de embalaje para la inspección por si aparecen daños causados por el transporte o el propio envase muestra signos de mal manejo. Guarde el paquete y todos los materiales de embalaje en el caso de que deba ser devuelto a la fábrica, es importante que el aparato sea devuelto en la caja de la fábrica y embalaje originales. Si el aparato ha estado expuesto a grandes cambios de temperatura (tras el transporte), no lo enchufe inmediatamente. La condensación de agua producida podría dañar su aparato. Deje el dispositivo apagado hasta que se haya alcanzado la temperatura ambiente.

## FUENTE DE ALIMENTACIÓN

En la etiqueta de la parte trasera del controlador se indica el tipo de fuente de alimentación que debe ser conectado. Compruebe que la tensión de red corresponda a esto, todos los otros voltajes a la especificada, puede causar efectos irreparable. El producto también debe estar conectado directamente a la red para ser utilizado. No en ninguna fuente de alimentación o dimmer ajustable.



Conecte siempre el producto a un circuito protegido (disyuntor o fusible). Asegúrese de que el producto tiene una toma de tierra adecuada para evitar el riesgo de electrocución o incendio.

## OPERACIÓN

### 1. Control de volumen

Gire para ajustar el nivel de volumen

### 2. Power

Encendido / standby

### 3. Scan

Pulse para buscar emisoras automáticamente

### 4. Menu

En los modos DAB y FM, pulse para entrar en el menú correspondiente

### 5. Info

Pulse para mostrar la información del canal

### 6. Alarm

Pulsar para programar una alarma

### 7. Mode

Pulse para cambiar de modo

Mantenga pulsado para iniciar el restablecimiento de fábrica

### 8. Preset

Mantenga pulsado para guardar un canal como preselección

Pulse para recuperar las preselecciones guardadas

### 9. Preselección directa 1,2 y 3

Pulse para recuperar rápidamente la preselección 1, la preselección 2 o la preselección 3

### 10. Tune/Select

Gire para sintonizar

Pulse para seleccionar

### 11. Pantalla LCD

### 12. Altavoz

### 13. Antena

### 14. Entrada DC 5V

### 15. Jack para entrada auxiliar de 3.5 mm

### 16. Salida de auriculares

### 17. USB

Toma USB para reproducción

### 18. Plato

### 19. Adaptador de 45 rpm

Este adaptador permite reproducir discos de 45RPM

### 20. Conmutador 33 / 45 / 78 RPM

Sirve para ajustar las RPM del plato giratorio

### 21. Interruptor de parada automática ON/OFF

Este interruptor activa/desactiva la función de parada automática. Cuando la parada automática está activada, la plataforma empezará a girar en cuanto el brazo de tono se coloque sobre el disco y dejará de girar cuando haya llegado al final del disco. Algunos discos de vinilo se paran antes del final o no se paran cuando se llega al final. En este caso, ajuste Auto-stop en OFF

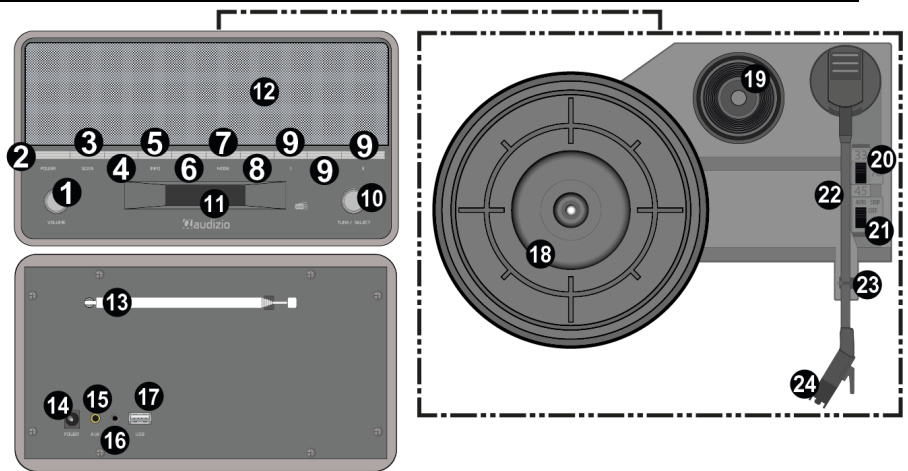
### 22. Brazo de tono

### 23. Clip de brazo

Este clip de brazo asegura el tóner mientras está en reposo o cuando no se utiliza. El clip del brazo ha sido diseñado para permanecer en la posición superior mientras está desbloqueado

### 24. Cartucho stylus/aguja

Cartucho que contiene el aguja



## EMPEZANDO

---

- Saque la radio de la caja de embalaje.
- Enchufa el adaptador de corriente o inserta las pilas adecuadas y pulsa el botón de **[Power]**.

**Precaución:** Utilice únicamente el adaptador suministrado con la radio. Conectar una fuente de alimentación con una clasificación diferente puede causar daños permanentes a la radio y puede ser peligroso.

## DAB +

---

Si hay radiodifusión de audio digital (DAB) en tu zona, la radio también puede captar emisoras DAB. La radio es compatible con DAB y DAB+. Coloque la radio cerca de la ventana y extienda la antena lo máximo posible para obtener la mejor recepción. A veces puede ser necesario ajustar la dirección de la antena para mejorar la recepción.

Pulse **[Mode]** para cambiar al modo DAB.

Selección automática: Pulse **[Scan]**, "AUTOTUNE FULL SCAN" aparece en la pantalla. El número de estaciones encontradas aparece en la esquina superior derecha de la pantalla. La radio comienza a reproducir la primera emisora encontrada automáticamente una vez finalizada la exploración. Gire el mando **[Tune/Select]** para seleccionar otra emisora DAB. Pulse **[Tune/Select]** para confirmar.

Seleccionar manualmente: Mantenga pulsado **[Tune/Select]** hasta que aparezca "MANUAL TUNE" en la pantalla. Gire el mando **[Tune/Select]** para seleccionar una emisora. Pulse **[Tune/Select]** para confirmar.

Estaciones preseleccionadas: Durante la reproducción en modo DAB, mantenga pulsado **[Preset]**. En la pantalla aparece "Preset Empty X". Gire el mando **[Tune/Select]** para seleccionar la emisora preseleccionada deseada (1-10) y pulse **[Tune/Select]** para almacenarla. Pulse **[Preset]** para recuperar la memoria. Gire el mando **[Tune/Select]** para seleccionar la emisora almacenada que desea escuchar. Pulse **[Tune/Select]** para confirmar. Si las emisoras están almacenadas en los canales de memoria 1, 2 y/o 3, se pueden recuperar rápidamente pulsando **[1]**, **[2]** o **[3]**.

Muestra la información del canal: Pulse **[Info]** para mostrar varias formas de información sobre el canal que se está reproduciendo. Pulse **[Menu]** para mostrar la versión actual del software.

## RADIO FM

---

Para recibir las emisoras FM habituales (sin necesidad de conexión a Internet), coloca la radio cerca de la ventana y extiende la antena lo máximo posible para obtener la mejor recepción. Es posible que tenga que ajustar la dirección de la antena para mejorar la recepción.

Pulse **[Mode]** para seleccionar el modo FM. Pulse **[Scan]**, la radio comienza a buscar canales. Cuando se encuentre un canal, se reproducirá automáticamente. Si la recepción no es satisfactoria, utilice el botón **[Tune/Select]** para ajustar manualmente la frecuencia.

Preselección de emisoras: Durante la reproducción en modo FM, mantenga pulsado **[Preset]**. En la pantalla aparece "Preset Empty X". Gire el mando **[Tune/Select]** para seleccionar la emisora preseleccionada deseada (1-10) y pulse **[Tune/Select]** para almacenarla.

Pulse **[Preset]** para recuperar la memoria. Gire el mando **[Tune/Select]** para seleccionar la emisora almacenada que desea escuchar. Pulse **[Tune/Select]** para confirmar. Si las emisoras están almacenadas en los canales de memoria 1, 2 y/o 3, se pueden recuperar rápidamente pulsando **[1]**, **[2]** o **[3]**.

Muestra la información del canal: Pulse **[Info]** para mostrar varias formas de información sobre el canal que se está reproduciendo. Pulse **[Menu]** para mostrar la versión actual del software.

## REPRODUCCIÓN BT

---

Antes de que sea posible la transmisión entre su dispositivo BT y la radio, ambos dispositivos deben estar acoplados. Este proceso se llama "emparejamiento". La radio sirve de receptor, para recibir el flujo de música que se reproducirá en la radio. Si ya se ha acoplado a un dispositivo BT con anterioridad, esta conexión se restablecerá automáticamente cuando ambos dispositivos estén dentro del alcance y se haya seleccionado el funcionamiento BT en la radio. No es necesario repetir el "emparejamiento". Sin embargo, es posible que tenga que activar esta función en su dispositivo BT.

- Pulse **[Mode]** hasta que aparezca "BT" en la pantalla.
- Activa la transmisión BT en tu dispositivo. El dispositivo buscará dispositivos BT emparejables en el rango de recepción.
- Seleccione "Audizio Frisco" en la lista de dispositivos encontrados.
- Inicie la reproducción en su dispositivo BT. La reproducción se realiza ahora emitiendo el sonido de la radio.

## AUX IN (ENTRADA AUXILIAR)

---

Puede escuchar la música almacenada en otro dispositivo de audio o teléfono inteligente a través de la radio, mediante la conexión a la toma auxiliar de 3,5 mm de la parte trasera. Utilice un cable con clavijas de 3,5 mm en ambos extremos, un extremo conectado a la toma de entrada auxiliar de la radio y el otro extremo conectado a la toma de auriculares del dispositivo de audio (o a la toma de salida de línea, si está disponible). Pulse **[Mode]** hasta que aparezca "AUX IN" en la pantalla. Reproduzca música en el dispositivo conectado, el sonido se emitirá desde la radio.

## AJUSTE DE ALARMA

---

Las alarmas sólo suenan cuando la unidad está "ON" (alimentada por la red o por la batería) o en "STANDBY" (sólo alimentada por la red). Las alarmas se pueden activar o desactivar en el modo de espera, pero los parámetros de alarma sólo se pueden ajustar cuando la unidad está encendida.

Para ajustar o cambiar la alarma 1, pulse una vez **[Alarm]**. A continuación, seleccione "ON" y pulse **[Tune/Select]**. Para ajustar o cambiar la alarma 2, pulse dos veces **[Alarm]**, luego seleccione "ON" y pulse **[Tune/Select]**. Para salir del ajuste de la alarma, pulse de nuevo **[Alarm]**.

La configuración de la alarma le solicita los siguientes parámetros. Elija un valor para cada parámetro girando el mando **[Tune/Select]** y pulse **[Tune/Select]** para confirmar y pasar al siguiente parámetro.

- Horario
- Minutos
- Diariamente, entre semana, fines de semana, una vez  
Elija los días en los que la alarma está activa
- Fuente - Bip 1, Bip 2, DAB o FM

Pulse **[Alarm]** o **[Power]** cuando la alarma se active para apagarla. El despertador se reinicia para el día siguiente. La alarma se apaga automáticamente después de 59 minutos cuando no se ha registrado ninguna entrada.

## MENÚ

---

En el modo DAB, pulse **[Menu]** y gire el control de sintonización para ajustar lo siguiente:

- Auto Scan  
Realiza una búsqueda completa de los canales de radio DAB disponibles.
- Manual Tune  
Búsqueda manual de canales de radio DAB.
- Dynamic range compression (DRC) (Off/ High/ Low)  
Esta función reduce la diferencia entre el sonido transmitido más alto y el más bajo.  
Esto hace que los sonidos bajos sean relativamente más altos y los altos relativamente más bajos.  
**Nota:** DRC sólo funciona si está activado por el transmisor en cuestión.
- Prune  
Yes- eliminar todas las emisoras de radio no válidas.  
No- mantener todas las emisoras de radio.
- Set Time/Date
- System Reset  
Seleccione "YES" para borrar todos los ajustes.
- SW version

En el modo FM, pulse **[Menu]** y gire el control de sintonización para ajustar lo siguiente:

- Scan Setting  
Seleccione para escanear Strong Stations o All Stations.
- Audio Setting  
Seleccione Forced mono o Stereo allowed.
- Set Time/Date
- System Reset  
Seleccione "YES" para borrar todos los ajustes.
- SW version

## FRANÇAIS

Nous vous remercions d'avoir acheté un produit Audizio. Veuillez lire la présente notice avant l'utilisation afin de pouvoir en profiter pleinement. Veuillez lire la notice avant toute utilisation. Respectez impérativement les instructions afin de continuer à bénéficier de la garantie. Prenez toutes les précautions nécessaires pour éviter tout incendie ou décharge électrique. Seul un technicien spécialisé peut effectuer les réparations. Nous vous conseillons de conserver la présente notice pour pouvoir vous y reporter ultérieurement.

- Avant d'utiliser l'appareil, prenez conseil auprès d'un spécialiste. Lors de la première mise sous tension, il est possible qu'une odeur soit perceptible. C'est normal, l'odeur disparaîtra peu de temps après.
- L'appareil contient des composants porteurs de tension. N'OUVREZ JAMAIS le boîtier.
- Ne placez pas des objets métalliques ou du liquide sur l'appareil, cela pourrait causer des décharges électriques et dysfonctionnements.
- Ne placez pas l'appareil à proximité de sources de chaleur, par exemple radiateur. Ne positionnez pas l'appareil sur une surface vibrante. N'obturez pas les ouïes de ventilation.
- L'appareil n'est pas conçu pour une utilisation en continu.
- Faites attention au cordon secteur, il ne doit pas être endommagé.
- Lorsque vous débranchez l'appareil de la prise secteur, tenez-le par la prise, ne tirez jamais sur le cordon.
- Ne branchez pas et ne débranchez pas l'appareil avec les mains mouillées.
- Seul un technicien spécialisé peut remplacer la fiche secteur et / ou le cordon secteur.
- Si l'appareil est endommagé et donc les éléments internes sont visibles, ne branchez pas l'appareil, NE L'ALLUMEZ PAS. Contactez votre revendeur. NE BRANCHEZ PAS l'appareil à un rhéostat ou un dimmer.
- Pour éviter tout risque d'incendie ou de décharge électrique, n'exposez pas l'appareil à la pluie ou à l'humidité.
- Seul un technicien habilité et spécialisé peut effectuer les réparations
- Branchez l'appareil à une prise secteur 220-240 Vac/50 Hz avec terre, avec un fusible 10-16 A.
- Pendant un orage ou en cas de non-utilisation prolongée de l'appareil, débranchez l'appareil du secteur.
- En cas de non-utilisation prolongée de l'appareil, de la condensation peut être créée. Avant de l'allumer, laissez l'appareil atteindre la température ambiante. Ne l'utilisez jamais dans des pièces humides ou en extérieur.
- Afin d'éviter tout accident en entreprise, vous devez respecter les conseils et instructions.
- N'allumez pas et n'éteignez pas l'appareil de manière répétée. Cela réduit sa durée de vie.
- Conservez l'appareil hors de la portée des enfants. Ne laissez pas l'appareil sans surveillance.
- N'utilisez pas d'aérosols pour nettoyer les interrupteurs. Les résidus créent des dépôts et de la graisse. En cas de dysfonctionnement, demandez conseil à un spécialiste.
- Ne forcez pas les réglages.
- L'appareil contient un haut-parleur pouvant engendrer des champs magnétiques. Tenez cet appareil à 60 cm au moins d'un téléviseur ou ordinateur.
- Si le produit comprend un accumulateur intégré plomb-acide, rechargez l'accumulateur tous les 3 mois en cas de non-utilisation prolongée de l'appareil. Sinon, l'accumulateur pourrait être endommagé de manière permanente.
- Si l'accumulateur est endommagé, remplacez-le par un accumulateur de même type et déposez l'ancien accumulateur dans un container de recyclage adapté.
- Si l'appareil est tombé, faites-le toujours vérifier par un technicien avant de le rallumer.
- Pour nettoyer l'appareil, n'utilisez pas de produits chimiques qui abîment le revêtement, utilisez uniquement un tissu sec.
- Tenez toujours l'appareil éloigné de tout équipement électrique pouvant causer des interférences.
- Pour toute réparation, il faut impérativement utiliser des pièces d'origine, sinon il y a risque de dommages graves et / ou de radiations dangereuses.
- Eteignez toujours l'appareil avant de le débrancher du secteur et de tout autre appareil. Débranchez tous les cordons avant de déplacer l'appareil.
- Assurez-vous que le cordon secteur n'est pas abîmé si des personnes viennent à marcher dessus. Avant toute utilisation, vérifiez son état.
- La tension d'alimentation est de 220-240Vac/50 Hz. Vérifiez la compatibilité. Si vous voyagez, vérifiez que la tension d'alimentation du pays est compatible avec l'appareil.
- Conservez l'emballage d'origine pour pouvoir transporter l'appareil en toute sécurité.



Ce symbole doit attirer l'attention de l'utilisateur sur les tensions élevées présentes dans le boîtier de l'appareil, pouvant engendrer une décharge électrique.



Ce symbole doit attirer l'attention de l'utilisateur sur des instructions importantes détaillées dans la notice, elles doivent être lues et respectées.

Cet appareil porte le symbole CE. Il est interdit d'effectuer toute modification sur l'appareil. La certification CE et la garantie deviendraient caduques !

**NOTE:** Pour un fonctionnement normal de l'appareil, il doit être utilisé en intérieur avec une plage de température maximale autorisée entre 5°C/41°F et 35°C/95°F.



Ne jetez pas les produits électriques dans la poubelle domestique. Déposez-les dans une décharge. Demandez conseil aux autorisés ou à votre revendeur. Données techniques réservées. Les valeurs actuelles peuvent varier d'un produit à l'autre. Tout droit de modification réservé sans notification préalable.

*N'essayez pas de réparer l'appareil vous-même. Vous perdriez tout droit à la garantie. Ne faites aucune modification sur l'appareil. Vous perdriez tout droit à la garantie. La garantie deviendrait également caduque en cas d'accidents ou dommages causés par une utilisation inappropriée de l'appareil ou un non-respect des consignes présentes dans cette notice. Audizio ne pourrait être tenu responsable en cas de dommages matériels ou corporels causés par un non-respect des consignes de sécurité et avertissements. Cela est également valable pour tous les dommages quelle que soit la forme.*

## DEBALLAGE

**ATTENTION !** Immédiatement après réception, vérifiez le contenu du carton et assurez-vous que tous les éléments sont bien présents et en bon état. Si besoin, faites les réserves nécessaires si le matériel ou les cartons sont endommagés. Si l'appareil doit être retourné, faites-le dans l'emballage d'origine. Si l'appareil a été exposé à des fluctuations importantes de températures (par exemple après le transport), ne l'allumez pas immédiatement. De la condensation peut survenir. Laissez l'appareil éteint le temps qu'il atteigne la température ambiante.

## ALIMENTATION

Vous trouvez sur l'étiquette à l'arrière de l'appareil, le type d'alimentation à utiliser. Vérifiez que la tension d'alimentation corresponde à celle mentionnée. Toute autre alimentation peut endommager l'appareil. Reliez l'appareil au secteur, il est prêt à être utilisé. En aucun cas, vous ne devez utiliser de dimmer ou d'alimentation réglable.



Connectez toujours l'appareil à un circuit protégé (disjoncteur ou fusible). Assurez-vous que l'appareil soit correctement relié à la terre afin d'éviter tout risque d'électrocution ou d'incendie.

## REGLAGES

### 1. Volume

Tournez pour régler le niveau du volume

### 2. Power

Marche/standby

### 3. Scan

Appuyez sur cette touche pour rechercher automatiquement les stations

### 4. Menu

En mode DAB et FM, appuyez sur pour accéder au menu correspondant

### 5. Info

Appuyez pour afficher les informations sur les chaînes

### 6. Alarm

Appuyez pour régler une alarme

### 7. Mode

Appuyez pour changer de mode

Appuyez et maintenez enfoncé pour lancer la réinitialisation d'usine

### 8. Preset

Appuyez et maintenez pour sauvegarder une chaîne comme présélection

Appuyez sur pour rappeler les présélections enregistrées

### 9. Présélection directe 1, 2 et 3

Appuyez pour rappeler rapidement la présélection 1, la présélection 2 ou la présélection 3

### 10. Tune/Select

Tourner pour syntoniser

Appuyez pour sélectionner

### 11. Affichage LCD

### 12. Haut-parleur

### 13. Antenne

### 14. Prise d'entrée DC 5V

### 15. Entrée auxiliaire jack 3,5mm

### 16. Sortie casque

### 17. USB

Prise USB pour utilisation en lecture

### 18. Plateau

### 19. Adaptateur 45 tours

Cet adaptateur vous permet de lire des disques 45 tours

### 20. Commutateur 33 / 45 / 78 tours

Permet de régler le régime du plateau de la platine

### 21. Interrupteur d'arrêt automatique ON/OFF

Cet interrupteur permet d'activer ou de désactiver la fonction d'arrêt automatique. Lorsque l'arrêt automatique est activé, la plate-forme commence à tourner dès que le bras de lecture est placé sur le disque et s'arrête lorsqu'elle a atteint la fin du disque. Certains disques vinyles s'arrêtent avant la fin ou ne s'arrêtent pas lorsque la fin est atteinte. Dans ce cas, réglez l'arrêt automatique sur OFF

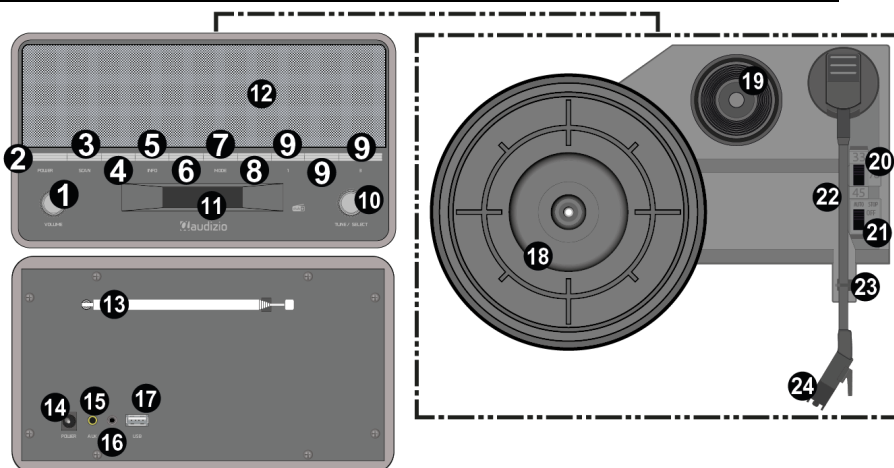
### 22. Bras de tonalité

### 23. Clip de bras

Ce clip de bras sécurise le bras de lecture lorsqu'il est au repos ou lorsqu'il n'est pas utilisé. Le clip du bras a été conçu pour rester en position haute lorsqu'il est déverrouillé

### 24. Cartouche de stylet

Cartouche contenant le stilet/l'aiguille



## DEMARRER

---

- Retirez la radio de la boîte d'emballage.
- Branchez l'adaptateur électrique ou insérez les bonnes piles et appuyez sur le bouton **[Power]**.

**Attention :** Utilisez uniquement l'adaptateur fourni avec la radio. Le branchement d'une alimentation d'une puissance différente peut causer des dommages permanents à la radio et peut être dangereux.

## DAB +

---

Si la radiodiffusion numérique (DAB) existe dans votre région, la radio peut également capter les stations DAB. La radio prend en charge la DAB et la DAB+. Placez la radio près de la fenêtre et étendez l'antenne aussi loin que possible pour obtenir la meilleure réception. Il est parfois nécessaire d'ajuster la direction de l'antenne pour améliorer la réception. Appuyez sur **[Mode]** pour passer en mode DAB.

Sélection automatique : Appuyez sur **[Scan]**, "AUTOTUNE FULL SCAN" apparaît à l'écran. Le nombre de stations trouvées apparaît dans le coin supérieur droit de l'écran. La radio commence à diffuser automatiquement la première station trouvée une fois le balayage terminé. Tournez la molette **[Tune/Select]** pour sélectionner une autre station DAB. Appuyez sur **[Tune/Select]** pour confirmer.

Sélectionnez manuellement : Appuyez sur **[Tune/Select]** et maintenez-le enfoncé jusqu'à ce que "MANUAL TUNE" apparaisse à l'écran. Tournez la molette **[Tune/Select]** pour sélectionner une station. Appuyez sur **[Tune/Select]** pour confirmer.

Stations pré-réglées : pendant la lecture en mode DAB, appuyez et maintenez **[Preset]**. L'écran affiche "Preset Empty X". Tournez la molette **[Tune/Select]** pour sélectionner la station pré-réglée souhaitée (1-10) et appuyez sur **[Tune/Select]** pour la mémoriser. Appuyez sur **[Preset]** pour rappeler la mémoire. Tournez la molette **[Tune/Select]** pour sélectionner la station mémorisée que vous souhaitez écouter. Appuyez sur **[Tune/Select]** pour confirmer. Si des stations sont enregistrées dans les canaux de mémoire 1, 2 et/ou 3, elles peuvent être rappelées rapidement en appuyant sur **[1]**, **[2]** ou **[3]**.

Afficher les informations sur le canal : Appuyez sur **[Info]** pour afficher différentes formes d'informations sur la chaîne en cours de lecture. Appuyez sur **[Menu]** pour afficher la version actuelle du logiciel.

## FM RADIO

---

Pour recevoir les stations FM ordinaires, placez la radio près de la fenêtre et déployez l'antenne le plus loin possible pour obtenir la meilleure réception. Vous devrez peut-être ajuster la direction de l'antenne pour améliorer la réception.

Appuyez sur **[Mode]** pour sélectionner le mode FM. Appuyez sur **[Scan]**, la radio commence à rechercher des canaux. Lorsqu'un canal est trouvé, il est lu automatiquement. Si la réception n'est pas satisfaisante, utilisez la touche **[Tune/Select]** pour régler manuellement la fréquence.

Stations pré-réglées : pendant la lecture en mode FM, appuyez et maintenez **[Preset]**. L'écran affiche "Preset Empty X". Tournez la molette **[Tune/Select]** pour sélectionner la station pré-réglée souhaitée (1-10) et appuyez sur **[Tune/Select]** pour la mémoriser. Appuyez sur **[Preset]** pour rappeler la mémoire. Tournez la molette **[Tune/Select]** pour sélectionner la station mémorisée que vous souhaitez écouter. Appuyez sur **[Tune/Select]** pour confirmer. Si des stations sont enregistrées dans les canaux de mémoire 1, 2 et/ou 3, elles peuvent être rappelées rapidement en appuyant sur **[1]**, **[2]** ou **[3]**.

Afficher les informations sur le canal : Appuyez sur **[Info]** pour afficher différentes formes d'informations sur la chaîne en cours de lecture. Appuyez sur **[Menu]** pour afficher la version actuelle du logiciel.

## LECTURE BT

---

Avant que la transmission entre votre appareil BT et la radio soit possible, les deux appareils doivent être couplés. Ce processus est appelé "couplage". La radio sert de récepteur, pour recevoir le flux musical à diffuser sur la radio. Si vous avez déjà couplé un appareil BT auparavant, cette connexion sera rétablie automatiquement lorsque les deux appareils sont à portée et que le fonctionnement BT a été sélectionné sur la radio. Il n'est pas nécessaire de répéter l'opération de "couplage". Il se peut toutefois que cette fonction doive être activée dans votre appareil BT.

- Appuyez sur **[Mode]** jusqu'à ce que "BT" apparaisse à l'écran.
- Activez le streaming BT sur votre appareil. L'appareil recherche les appareils BT compatibles dans la zone de réception.
- Sélectionnez "Audizio Frisco" dans la liste des appareils trouvés.
- Lancez la lecture sur votre appareil BT. La lecture a lieu en émettant le son de la radio.

## AUX IN

---

Vous pouvez écouter la musique stockée dans un autre appareil audio ou un téléphone intelligent via la radio, grâce à la connexion à la prise d'entrée auxiliaire de 3,5 mm située à l'arrière. Utilisez un câble avec des broches de 3,5 mm aux deux extrémités, une extrémité étant connectée à la prise d'entrée auxiliaire de la radio, l'autre extrémité étant connectée à la prise écouteurs de l'appareil audio (ou à la prise de sortie de ligne si disponible). Appuyez sur **[Mode]** jusqu'à ce que "Entrée auxiliaire" s'affiche à l'écran. Lancez la musique sur l'appareil connecté, le son sera émis par la radio.



## REGLAGE ALARME

---

Les alarmes ne retentissent que lorsque l'appareil est "ON" (alimenté par le secteur ou par la batterie) ou en "STANDBY" (alimenté par le secteur uniquement). Les alarmes peuvent être activées ou désactivées en veille, mais les paramètres d'alarme ne peuvent être réglés que lorsque l'appareil est allumé.

Pour régler ou modifier l'alarme 1, appuyez une fois sur **[Alarm]**. Sélectionnez ensuite "ON" et appuyez sur **[Tune/Select]**. Pour régler ou modifier l'alarme 2, appuyez deux fois sur **[Alarm]**, puis sélectionnez "ON" et appuyez sur **[Tune/Select]**. Pour quitter le réglage de l'alarme, appuyez à nouveau sur **[Alarm]**.

Le réglage de l'alarme vous invite à saisir les paramètres suivants. Sélectionnez une valeur pour chaque paramètre en tournant le bouton **[Tune/Select]** et appuyez sur **[Tune/Select]** pour confirmer et passer au paramètre suivant.

- Heures
- Minutes
- Tous les jours, en semaine, le week-end, une fois  
Choisissez les jours pendant lesquels l'alarme est active
- Source - Bip 1, Bip 2, DAB ou FM

Appuyez sur **[Alarm]** ou **[Power]** lorsque l'alarme se déclenche pour l'éteindre. Le réveil est remis à zéro pour le jour suivant. L'alarme s'éteint automatiquement après 59 minutes si aucune entrée n'a été enregistrée.

## MENU

---

En mode DAB, appuyez sur **[Menu]** et tournez la commande de syntonisation pour régler les paramètres suivants:

- Auto Scan  
Effectuer un balayage complet des canaux radio DAB disponibles.
- Manual Tune  
Recherche manuelle des chaînes radio DAB.
- Dynamic range compression (DRC) (Off/ High/ Low)  
Cette fonction réduit la différence entre le son le plus fort et le son le plus faible transmis. Ainsi, les sons faibles sont relativement plus forts et les sons forts relativement plus faibles.  
Remarque : la fonction DRC ne fonctionne que si elle est activée par l'émetteur en question.
- Prune  
Yes- supprimer tous les lecteurs non valides.  
No- garder toutes les stations.
- Set Time/Date
- System Reset  
Sélectionnez "YES" pour effacer tous les réglages.
- SW version

En mode FM, appuyez sur **[Menu]** et tournez la commande de syntonisation pour régler les paramètres suivants:

- Scan Setting  
Sélectionnez la recherche de stations fortes ou de toutes les stations.
- Audio Setting  
Sélectionnez Forced mono ou Stereo allowed.
- Set Time/Date
- System Reset  
Sélectionnez "YES" pour effacer tous les réglages.
- SW version

Gratulujemy zakupu tego produktu firmy Audizio. Prosimy o dokładne zapoznanie się z niniejszą instrukcją przed rozpoczęciem korzystania z urządzenia, aby w pełni wykorzystać wszystkie jego funkcje. Przeczytaj instrukcję przed rozpoczęciem korzystania z urządzenia. Postępuj zgodnie z instrukcjami, aby nie unieważnić gwarancji. Podjąć wszelkie środki ostrożności, aby uniknąć pożaru i/lub porażenia prądem. Naprawy mogą być wykonywane wyłącznie przez wykwalifikowanego technika, aby uniknąć porażenia prądem. Instrukcję należy zachować do wykorzystania w przyszłości.

- Przed rozpoczęciem użytkowania urządzenia należy zasięgnąć porady specjalisty. Przy pierwszym włączeniu urządzenia może pojawić się nieprzyjemny zapach. Jest to normalne i po chwili zniknie.
- Urządzenie zawiera części przewodzące napięcie. Dlatego NIE należy otwierać obudowy.
- Nie należy umieszczać metalowych przedmiotów ani wlewać płynów do urządzenia. Może to spowodować porażenie prądem elektrycznym i nieprawidłowe działanie.
- Nie należy umieszczać urządzenia w pobliżu źródeł ciepła, takich jak grzejniki itp. Nie umieszczać urządzenia na wibrującej powierzchni. Nie zakrywać otworów wentylacyjnych.
- Urządzenie nie nadaje się do pracy ciągłej.
- Należy zachować ostrożność z przewodem zasilającym i nie wolno go uszkodzić. Wadliwy lub uszkodzony przewód sieciowy może spowodować porażenie prądem elektrycznym i wadliwe działanie.
- Podczas odłączania urządzenia od gniazdka sieciowego należy zawsze wyciągać wtyczkę, a nie przewód.
- Nie należy podłączać ani odłączać urządzenia mokrymi rękami.
- Jeśli wtyczka i/lub przewód sieciowy są uszkodzone, należy je wymienić przez wykwalifikowanego technika.
- Jeśli urządzenie jest uszkodzone w takim stopniu, że widoczne są części wewnętrzne, NIE podłączać urządzenia do gniazdka sieciowego i NIE włączać urządzenia. Skontaktować się ze sprzedawcą.
- Aby uniknąć zagrożenia pożarem i porażeniem prądem, nie wystawiać urządzenia na działanie deszczu i wilgoci.
- Wszystkie naprawy powinny być wykonywane wyłącznie przez wykwalifikowanego technika.
- Podłączyć urządzenie do uziemionego gniazdka sieciowego (220-240Vac/50Hz) zabezpieczonego bezpiecznikiem 10-16A.
- Podczas burzy z piorunami lub jeśli urządzenie nie będzie używane przez dłuższy okres czasu, należy odłączyć je od sieci elektrycznej. Zasada jest taka sama: Gdy urządzenie nie jest używane, należy je odłączyć od sieci zasilającej.
- Jeśli urządzenie nie było używane przez dłuższy okres czasu, może dojść do kondensacji pary wodnej. Przed włączeniem urządzenie powinno osiągnąć temperaturę pokojową.
- Nigdy nie używać urządzenia w wilgotnych pomieszczeniach lub na zewnątrz.
- Aby zapobiec wypadkom w firmach, należy postępować zgodnie z obowiązującymi wytycznymi i instrukcjami.
- Nie należy wielokrotnie włączać i wyłączać urządzenia. Skraca to żywotność urządzenia.
- Przechowywać urządzenie w miejscu niedostępnym dla dzieci. Nie pozostawiać urządzenia bez nadzoru.
- Do czyszczenia przełączników nie używać sprayów czyszczących. Pozostałości tych sprayów powodują osadzenie się kurzu i smaru. W przypadku awarii należy zawsze zasięgnąć porady specjalisty.
- Nie wolno wymuszać używania elementów sterujących.
- Wewnątrz urządzenia znajduje się głośnik, który może powodować pole magnetyczne. Urządzenie należy trzymać w odległości co najmniej 60 cm od komputera lub telewizora.
- Jeśli ten produkt ma wbudowany akumulator kwasowo-ołowiowy. Jeśli nie zamierzasz używać produktu przez dłuższy okres czasu, ładuj go co 3 miesiące. W przeciwnym razie bateria może ulec trwałemu uszkodzeniu.
- Jeśli bateria jest uszkodzona, należy wymienić ją na baterię o tej samej specyfikacji. Uszkodzoną baterię należy utylizować w sposób przyjazny dla środowiska.
- Jeśli urządzenie upadło, przed ponownym włączeniem należy je sprawdzić przez wykwalifikowanego technika.
- Do czyszczenia urządzenia nie należy używać środków chemicznych. Uszkodzą one lakier. Urządzenie należy czyścić wyłącznie suchą ściereczką.
- Trzymać z dala od sprzętu elektronicznego, który może powodować zakłócenia.
- Do napraw należy używać wyłącznie oryginalnych części zamiennych, w przeciwnym razie może dojść do poważnych uszkodzeń i/lub niebezpiecznego promieniowania.
- Przed odłączeniem urządzenia od sieci elektrycznej i/lub innych urządzeń należy je wyłączyć. Przed przeniesieniem urządzenia należy odłączyć wszystkie przewody i kable.
- Upewnić się, że przewód zasilający nie może zostać uszkodzony, gdy ludzie chodzą po nim. Przed każdym użyciem należy sprawdzić przewód sieciowy pod kątem uszkodzeń i usterek!
- Napięcie sieciowe wynosi 220-240Vac/50Hz. Sprawdź, czy gniazdo zasilania pasuje. W przypadku podróży należy upewnić się, że napięcie sieciowe w danym kraju jest odpowiednie dla tego urządzenia.
- Należy zachować oryginalne opakowanie, aby umożliwić bezpieczny transport urządzenia.



Ten znak zwraca uwagę użytkownika na wysokie napięcie, które jest obecne w środku obudowy urządzenia. Napięcie jest wystarczające, aby porazić użytkownika.



Ten znak zwraca uwagę użytkownika do ważnych informacji, które znajdują się w instrukcji. Informacje te powinny być przeczytane oraz uwzględnione w codziennym użytkowaniu

Urządzenie posiada certyfikat CE. **Nie wolno** wprowadzać żadnych zmian w urządzeniu. Każda modyfikacja sprzętu spowoduje utratę certyfikatu CE oraz gwarancji!

**UWAGA:** Urządzenie może funkcjonować w pomieszczeniach o temperaturze pomiędzy 5°C/41°F oraz 35°C/95°F.



**WAŻNA INFORMACJA:** Urządzenia elektryczne muszą być składowane w miejscach do tego przeznaczonych. Sprawdź, gdzie w Twojej okolicy znajduje się najbliższe centrum recyklingu. Specyfikacja techniczna poszczególnych urządzeniach może się nieznacznie różnić. Specyfikacja może ulec zmian bez powiadomień.

*Nie próbuj dokonywać żadnych napraw samodzielnie, to spowoduje unieważnienie gwarancji. Gwarancja nie dotyczy uszkodzeń spowodowanych niewłaściwym użytkowaniem sprzętu, niezgodnie z instrukcją. Power Dynamics nie jest odpowiedzialny za uszkodzenia na zdrowiu oraz kontuzje spowodowane niestosowaniem się do zaleceń bezpieczeństwa. Dotyczy to wszelkich uszkodzeń.*

## INSTRUKCJA ROZPAKOWANIA

**UWAGA!** Po otrzymaniu przesyłki należy ostrożnie ją rozpakować. Sprawdzić zawartość, aby upewnić się, że wszystkie części są obecne i zostały dostarczone w dobrym stanie. Jeśli jakiegokolwiek części wyglądają na uszkodzone podczas transportu lub opakowanie nosi ślady niewłaściwego obchodzenia się z nimi, należy natychmiast powiadomić dostawcę i zachować materiały opakowaniowe. Należy zachować opakowanie i wszystkie materiały opakowaniowe. Jeśli produkt musi zostać zwrócony, ważne jest, aby był zwrócony w oryginalnym fabrycznym pudełku i opakowaniu. Jeśli urządzenie zostało narażone na drastyczne zmiany temperatury (np. po transporcie), nie należy go od razu włączyć. Powstająca woda kondensacyjna może uszkodzić urządzenie. Pozostawić urządzenie wyłączone, aż osiągnie temperaturę pokojową.

## ZASILANIE

Na etykiecie znajdującej się na tylnej stronie produktu podany jest typ zasilania, który należy podłączyć. Sprawdź, czy napięcie sieciowe odpowiada temu, wszystkie inne napięcia niż podane, urządzenie może zostać nieodwracalnie uszkodzone. Produkt musi być również bezpośrednio podłączony do sieci i może być używany. Brak ściemniacza lub regulowanego zasilania.



Zawsze podłączaj urządzenie do zabezpieczonego obwodu (wyłącznik automatyczny lub bezpiecznik). Upewnij się, że urządzenie ma odpowiednie uziemienie elektryczne, aby uniknąć ryzyka porażenia prądem lub pożaru.

## STEROWANIE I POŁĄCZENIA

### 1. Volume

Obróć, aby dostosować poziom głośności

### 2. Power

Włączony/gotowy

### 3. Scan

Naciśnij, aby automatycznie wyszukać stacje

### 4. Menu

W trybie DAB i FM naciśnij przycisk, aby przejść do odpowiedniego menu

### 5. Info

Naciśnij, aby wyświetlić informacje o kanale

### 6. Alarm

Naciśnij, aby ustawić alarm

### 7. Mode

Naciśnij, aby zmienić tryb

Naciśnij i przytrzymaj, aby rozpocząć reset fabryczny

### 8. Preset

Naciśnij i przytrzymaj, aby zapisać kanał jako ustawienie wstępne

Naciśnij, aby przywołać zapisane ustawienia

### 9. Bezpośrednie ustawienia wstępne 1, 2 i 3

Naciśnij, aby szybko przywołać preset 1, preset 2 lub preset 3

### 10. Tune/Select

Obróć, aby dostroić

Naciśnij, aby wybrać

### 11. Wyświetlacz LCD

### 12. Głośnik

### 13. Antena

### 14. DC 5V IN

### 15. Gniazdo Aux in 3,5 mm

### 16. Wyjście słuchawkowe

### 17. USB

Gniazdo usb do wykorzystania podczas odtwarzania

### 18. Talerz gramofonu

### 19. Adapter 45rpm

Ten adapter pozwala na odtwarzanie płyt 45RPM

### 20. Przetątnik 33 / 45 / 78 RPM

Służy do regulacji obrotów talerza gramofonu

### 21. Przetątnik autostopu ON/OFF

Ten przetątnik włącza/wyłącza funkcję automatycznego zatrzymania. Gdy funkcja automatycznego zatrzymania jest włączona, platforma zacznie się obracać, gdy tylko ramię tonowe zostanie umieszczone nad płytą i zatrzyma się po osiągnięciu końca płyty. Niektóre płyty winylowe zatrzymują się przed końcem lub nie zatrzymują się po osiągnięciu końca. W takim przypadku należy ustawić Auto-stop na OFF

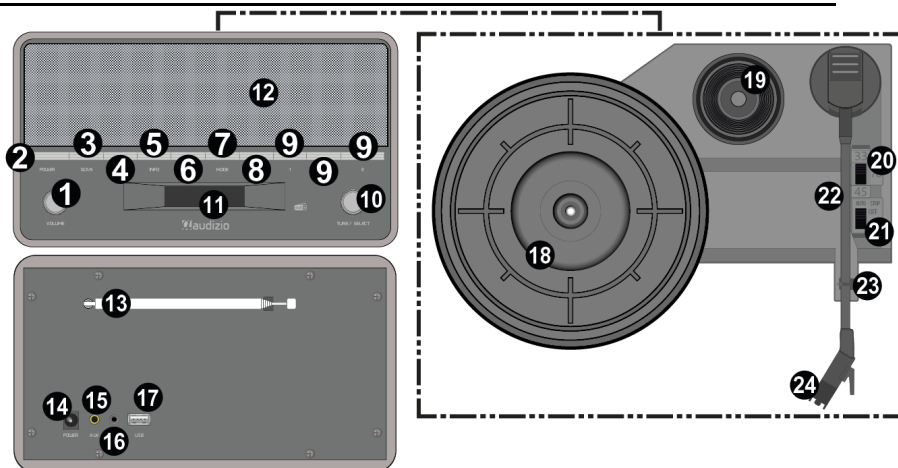
### 22. Ramię tonowe

### 23. Klips do ramienia

Ten zacisk ramienia zabezpiecza ramię tonu w stanie spoczynku lub gdy nie jest używane. Klips na ramię został zaprojektowany tak, aby pozostawał w pozycji podniesionej, gdy jest odblokowany

### 24. Wkładka z rysikiem

Kaseta zawierająca rysik/igłę



## ROZPOCZĘCIE PRACY

---

• Wyjąć radio z opakowania.

• Podłączyć zasilacz lub włożyć odpowiednie baterie i nacisnąć przycisk **[Power]**.

**Ostrożnie:** Należy używać wyłącznie adaptera dostarczonego z radiem. Podłączenie zasilacza o innej wartości znamionowej może spowodować trwałe uszkodzenie radia i może być niebezpieczne.

## DAB+

---

Jeśli w Twojej okolicy działa Digital Audio Broadcasting (DAB), radio może odbierać również stacje DAB. Radio obsługuje zarówno DAB, jak i DAB+. Umieść radio blisko okna i wysuń antenę tak daleko, jak to możliwe, aby uzyskać najlepszy odbiór. Czasami może być konieczne dostosowanie kierunku anteny, aby poprawić odbiór.

Nacisnij przycisk **[Mode]**, aby wybrać tryb DAB.

Wybór automatyczny: Nacisnij **[Scan]**, na wyświetlaczu pojawi się "AUTOTUNE FULL SCAN". Liczba znalezionych stacji pojawia się w prawym górnym rogu wyświetlacza. Radio rozpoczyna odtwarzanie pierwszej znalezionej stacji automatycznie po zakończeniu skanowania. Obróć pokrętkę **[Tune/Select]**, aby wybrać inną stację DAB. Nacisnij przycisk **[Tune/Select]**, aby potwierdzić.

Wybór ręczny: Nacisnij i przytrzymaj przycisk **[Tune/Select]**, aż na wyświetlaczu pojawi się napis "MANUAL TUNE". Obróć pokrętkę **[Tune/Select]**, aby wybrać stację. Nacisnij **[Tune/Select]**, aby potwierdzić.

Zaprogramowane stacje: podczas odtwarzania w trybie DAB, nacisnij i przytrzymaj przycisk **[Preset]**. "Preset Empty X" pojawia się na wyświetlaczu. Obróć pokrętkę **[Tune/Select]**, aby wybrać żądaną zaprogramowaną stację (1-10) i nacisnij **[Tune/Select]**, aby ją zapisać. Nacisnij przycisk **[Preset]**, aby przywołać pamięć. Obróć pokrętkę **[Tune/Select]**, aby wybrać zapisaną stację, której chcesz słuchać. Nacisnij przycisk **[Tune/Select]**, aby potwierdzić. Jeśli w kanałach pamięci 1, 2 i/lub 3 zapisane są stacje, można je szybko przywołać naciskając **[1]**, **[2]** lub **[3]**.

Pokaż informacje o kanale: Nacisnij przycisk **[Info]**, aby wyświetlić różne formy informacji o odtwarzanym kanale. Nacisnij **[Menu]**, aby wyświetlić aktualną wersję oprogramowania.

## FM

---

Aby odbierać zwykłe stacje FM, należy umieścić radio blisko okna i wysunąć antenę tak daleko, jak to możliwe, aby uzyskać najlepszy odbiór. Może być konieczne dostosowanie kierunku anteny, aby poprawić odbiór.

Nacisnij przycisk **[Mode]**, aby wybrać tryb FM. Nacisnij **[Scan]**, radio rozpoczyna wyszukiwanie kanałów. Po znalezieniu kanału, będzie on odtwarzany automatycznie. Jeśli odbiór nie jest zadowalający, użyj przycisku **[Tune/Select]**, aby ręcznie dostroić częstotliwość.

Zaprogramowane stacje: podczas odtwarzania w trybie FM, nacisnij i przytrzymaj przycisk **[Preset]**. "Preset Empty X" pojawia się na wyświetlaczu. Obróć pokrętkę **[Tune/Select]**, aby wybrać żądaną zaprogramowaną stację (1-10) i nacisnij **[Tune/Select]**, aby ją zapisać. Nacisnij przycisk **[Preset]**, aby przywołać pamięć. Obróć pokrętkę **[Tune/Select]**, aby wybrać zapisaną stację, której chcesz słuchać. Nacisnij przycisk **[Tune/Select]**, aby potwierdzić. Jeśli w kanałach pamięci 1, 2 i/lub 3 zapisane są stacje, można je szybko przywołać naciskając **[1]**, **[2]** lub **[3]**.

Pokaż informacje o kanale: Nacisnij przycisk **[Info]**, aby wyświetlić różne formy informacji o odtwarzanym kanale. Nacisnij **[Menu]**, aby wyświetlić aktualną wersję oprogramowania.

## ODTWARZANIE BT

---

Zanim możliwa będzie transmisja pomiędzy urządzeniem BT a radiem, oba urządzenia muszą zostać sparowane. Proces ten nazywany jest "parowaniem". Radio służy jako odbiornik, do odbioru strumienia muzyki, który ma być odtwarzany w radiu. Jeśli już wcześniej sparowałeś się z urządzeniem BT, połączenie to zostanie przywrócone automatycznie, gdy oba urządzenia znajdą się w zasięgu, a w radiu wybrano obsługę BT. "Parowanie" nie musi być powtarzane. Funkcja ta może wymagać aktywacji w urządzeniu BT, jednak.

- Naciskaj przycisk **[Mode]**, aż na wyświetlaczu pojawi się "BT".
- Włącz strumieniowanie BT w swoim urządzeniu. Urządzenie będzie skanować w poszukiwaniu sparowanych urządzeń BT w zasięgu odbioru.
- Wybierz "Audizio Frisco" z listy znalezionych urządzeń.
- Uruchom odtwarzanie na urządzeniu BT. Odtwarzanie odbywa się teraz poprzez emisję dźwięku z radia.

## AUX IN

---

Możesz słuchać muzyki zapisanej w innym urządzeniu audio lub smartfonie za pośrednictwem radia, poprzez połączenie z gniazdem aux-in 3,5 mm na tylnej stronie. Użyj kabla z wtykami 3,5 mm na obu końcach, jeden koniec podłączony do gniazda aux-in w radiu, drugi koniec podłączony do gniazda słuchawkowego w urządzeniu audio (lub gniazda line out, jeśli jest dostępne). Nacisnij **[Mode]**, aż na wyświetlaczu pojawi się "AUX IN". Odtwarzaj muzykę na podłączonym urządzeniu, dźwięk będzie emitowany z radia.

## USTAWIENIE ALARMU

---

Alarmy rozbrzmiewają tylko wtedy, gdy urządzenie jest w stanie "ON" (zasilane z sieci lub baterii) lub w stanie "STANDBY" (tylko zasilane z sieci). Alarmy można włączyć lub wyłączyć w trybie gotowości, ale parametry alarmów można ustawić tylko wtedy, gdy urządzenie jest włączone.

Aby ustawić lub zmienić alarm 1, naciśnij raz przycisk **[Alarm]**. Następnie wybierz opcję "ON" i naciśnij przycisk **[Tune/Select]**.

Aby ustawić lub zmienić alarm 2, naciśnij dwukrotnie przycisk **[Alarm]**, a następnie wybierz opcję "ON" i naciśnij przycisk **[Tune/Select]**. Aby wyjść z ustawienia alarmu, naciśnij ponownie przycisk **[Alarm]**.

Ustawienie alarmu powoduje wyświetlenie zapytania o następujące parametry. Wybierz wartość dla każdego parametru obracając pokrętkę **[Tune/Select]** i naciśnij **[Tune/Select]** aby potwierdzić i przejść do następnego parametru.

- Godziny
- Minuty
- Codziennie, Dni powszednie, Weekendy, Raz  
Wybierz dni, w których alarm jest aktywny
- Źródło - Beep 1, Beep 2, DAB lub FM

Naciśnij **[Alarm]** lub **[Power]**, gdy alarm się wyłączy, aby go wyłączyć. Budzik jest resetowany na następny dzień. Alarm wyłącza się automatycznie po 59 minutach, gdy nie zarejestrowano żadnego wpisu.

## MENU

---

W trybie DAB naciśnij przycisk **[Menu]** i obróć pokrętkę strojenia, aby ustawić następujące ustawienia:

- Auto Scan  
Pełne skanowanie dostępnych kanałów radiowych DAB.
- Manual Tune  
Ręczne wyszukiwanie kanałów radiowych DAB.
- Dynamic range compression (DRC) (Off/ High/ Low)  
Funkcja ta zmniejsza różnicę między najgłośniejszym i najcichszym emitowanym dźwiękiem.  
Dzięki temu ciche dźwięki stają się relatywnie głośniejsze, a głośne dźwięki relatywnie cichsze.  
**Uwaga:** DRC działa tylko wtedy, gdy jest włączona przez dany nadajnik.
- Prune  
Yes- Usuń wszystkie nieprawidłowe stacje radiowe.  
No- zachować wszystkie stacje radiowe.
- Set Time/Date
- System Reset  
Wybierz "YES", aby wyczyścić wszystkie ustawienia.
- SW version

W trybie FM naciśnij przycisk **[Menu]** i obróć pokrętkę strojenia, aby ustawić następujące ustawienia:

- Scan Setting  
Wybierz skanowanie w poszukiwaniu silnych stacji lub wszystkich stacji.
- Audio Setting  
Dozwolone wymuszone mono lub stereo.
- Set Time/Date
- System Reset  
Wybierz "YES", aby wyczyścić wszystkie ustawienia.
- SW version

Gratulujeme ke koupi tohoto produktu Audizio. Před použitím výrobku si pečlivě přečtěte tento návod, abyste mohli plně využívat všechny jeho funkce.

Před použitím přístroje si přečtěte tuto příručku. Postupujte podle pokynů, aby nedošlo ke zneplatnění záruky. Přijměte veškerá preventivní opatření, abyste zabránili požáru nebo úrazu elektrickým proudem. Opravy smí provádět pouze kvalifikovaný technik, aby nedošlo k úrazu elektrickým proudem. Návod si uschovejte pro budoucí použití.

- Před použitím přístroje se poraďte s prodávajícím. Při prvním zapnutí jednotky může dojít k zápachu. To je normální a po chvíli to zmizí.
- Přístroj obsahuje části pod napětím. Proto neotvírejte jeho kryt.
- Neumisťujte do přístroje kovové předměty a nelijte na ni tekutiny. Mohlo by dojít k úrazu elektrickým proudem a poruše.
- Neumisťujte jednotku do blízkosti zdrojů tepla, jako jsou radiátory apod.
- Neumisťujte jednotku na vibrující povrch. Nezakrývejte ventilační otvory.
- Jednotka není vhodná pro trvalé používání.
- S napájecím kabelem buďte opatrní a nepoškozujte jej. Vadný nebo poškozený napájecí kabel může způsobit úraz elektrickým proudem, nebo poruchu.
- Při odpojování zařízení od zásuvky vždy tahejte za zástrčku, nikdy ne za kabel.
- Nezapojujte a neodpojíte přístroj mokřima rukama.
- Pokud je poškozena zástrčka a / nebo napájecí kabel, musí být opraveny kvalifikovaným technikem.
- Pokud je jednotka poškozena do takové míry, že jsou vidět vnitřní části, NEZAPOJUJTE jednotku do zásuvky ani ji NEZAPÍNEJTE. Kontaktujte svého prodejce. NEPŘIPOJUJTE jednotku k reostatu nebo stmívači.
- Aby nedošlo k požáru, nebo úrazu elektrickým proudem, nevystavujte jednotku dešti a vlhkosti.
- Všechny opravy musí provádět pouze kvalifikovaný technik.
- Připojte přístroj k uzemněné síťové zásuvce (220 - 240 V, střídavý / 50 Hz) chráněné pojistkou 10 - 16 A.
- Během bouřky nebo pokud nebudete jednotku delší dobu používat, odpojte ji od elektrické sítě. Pokud zařízení nepoužíváte, odpojte jej od elektrické sítě.
- Pokud jednotku nebudete delší dobu používat, může dojít ke kondenzaci vlhkosti. Než přístroj zapnete, nechejte jej dosáhnout pokojovou teplotu. Nikdy nepoužívejte jednotku ve vlhkých místnostech nebo venku.
- Abyste předešli nehodám na veřejnosti, musíte postupovat podle příslušných pokynů a instrukcí.
- Zařízení opakovaně nezapínejte a nevypínejte. Tím se zkracuje jeho životnost.
- Uchovávejte jednotku mimo dosah dětí. Nenechávejte jednotku bez dozoru.
- K čištění spínačů nepoužívejte čisticí spreje. Zbytky těchto sprejů způsobují, že se na spínačích usazuje prach a mastnota. V případě poruchy vždy vyhledejte radu od odborníka.
- Na ovládací prvky netlačte silou.
- Tato jednotka má uvnitř reproduktor, který může způsobit magnetické pole. Udržujte proto toto zařízení ve vzdálenosti alespoň 60 cm od počítače nebo televize.
- Pokud má tato jednotka vestavěnou dobíjecí baterii, tak ji dobijte alespoň 1x za 3 měsíce. Jinak může dojít k poškození baterie.
- Pokud je baterie poškozená, vyměňte ji za baterii se stejnými specifikacemi. Poškozenou baterii zlikvidujte ekologicky.
- Pokud Vám přístroj upadnul, nechte ho před opětovným zapnutím zkontrolovat kvalifikovaným technikem.
- K čištění jednotky nepoužívejte chemikálie. Poškozují lak. Jednotku čistěte pouze suchým hadříkem.
- Uchovávejte mimo dosah elektronických zařízení, která mohou způsobovat rušení.
- K opravám používejte pouze originální náhradní díly, jinak může dojít k vážnému poškození nebo nebezpečnému záření.
- Před odpojením od sítě nebo od jiného zařízení přístroj vypněte. Před přemístováním přístroje odpojte všechny napájecí i jiné kabely.
- Zajistěte, aby nemohlo dojít k poškození síťového kabelu, když po něm lidé kráčí. Před každým použitím zkontrolujte přívodní kabel, zda není poškozený nebo vadný!
- Síťové napětí je 220 – 240 V, AC / 50Hz. Zkontrolujte, zda se napětí v zásuvce shoduje. Pokud cestujete, zkontrolujte, zda je v dané zemi pro tuto jednotku vhodné síťové napětí.
- Uschovejte originální obalový materiál, abyste mohli jednotku v případě potřeby přepravit v bezpečných podmínkách.



Tento znak upozorňuje uživatele na vysokému napětí, které je uvnitř přístroje a které je dostatečně velké, aby způsobilo nebezpečí úrazu elektrickým proudem.



Tento znak upozorňuje uživatele na důležité pokyny obsažené v této příručce, kterou by si měl před používáním přečíst a dodržovat.

Jednotka má certifikát CE. Na jednotce je zakázáno provádět jakékoli změny. Certifikát CE by tím pozbyl platnost a zboží by přišlo o záruku!

**POZNÁMKA:** Aby bylo zajištěno, že jednotka bude fungovat normálně, musí být používána v místnostech s teplotou mezi 5 °C a 35 °C.



Elektrické výrobky se nesmí ukládat do domácího odpadu. Přineste je, prosím, do recyklačního centra. Zeptejte se místních úřadů nebo prodejce na postup. Specifikace jsou typické. Skutečné hodnoty se mohou z jedné jednotky na druhou mírně změnit. Specifikace lze změnit bez předchozího upozornění.

*Nepokoušejte se sami provádět žádné opravy. To by zneplatnilo vaši záruku. Na jednotce neprovádějte žádné změny. Tím by také zanikla vaše záruka. Záruka se nevztahuje na nehody nebo škody způsobené nevhodným použitím nebo nerespektováním varování obsažených v této příručce. Power dynamics nemůže nést odpovědnost za zranění osob způsobená nerespektováním bezpečnostních doporučení a varování. To platí také pro všechny škody v jakékoli formě.*

## POKYNY PO VYBALENÍ

**POZOR!** Ihned po obdržení produktu pečlivě vybalte krabici, zkontrolujte obsah, zda jsou všechny součásti přítomny a zda jsou v bezvadném stavu. Okamžitě informujte přepravce i prodejce a uschovejte obal ke kontrole, pokud se objeví nějaké známky poškození, nebo pokud obal samotný vykazuje známky nesprávné manipulace. Ponechte si veškerý původní balicí materiál. V případě, že produkt bude muset být vrácen do továrny, je důležité, aby byl vrácen a zabalen v původní krabici. Pokud bylo zařízení vystaveno drastickým výkyvům teploty (např. v rámci přepravy), nezapínejte jej okamžitě. Vznikající kondenzovaná voda může poškodit vaše zařízení. Nechejte zařízení vypnuté, dokud nedosáhne pokojové teploty.

## NAPÁJENÍ

Štítek na zadní/spodní straně výrobku udává síťové napětí, ke kterému musí být výrobek připojen. Zkontrolujte, zda síťové napětí odpovídá tomuto napětí. Jiné než uvedené napětí může způsobit neopravitelné poškození přístroje. Přístroj musí být také připojen přímo k síťovému napětí a nesmí být použit žádný stmívač nebo nastavitelný zdroj napájení.



Přístroj vždy připojujte k chráněnému obvodu (jistič nebo pojistka). Ujistěte se, že má zařízení vhodné elektrické uzemnění, abyste předešli riziku úrazu elektrickým proudem nebo požáru.

## OVLÁDACÍ PRVKY A PŘIPOJENÍ

### 1. Ovládání hlasitosti

Otáčením nastavte úroveň hlasitosti

### 2. Power

Zapnuto/pohotovost

### 3. Scan

Stisknutím tlačítka automaticky vyhledáte stanice

### 4. Menu

V režimu DAB a FM stiskněte tlačítko pro vstup do příslušné nabídky

### 5. Info

Stisknutím zobrazíte informace o kanálu

### 6. Alarm

Stisknutím nastavíte budík

### 7. Mode

Stisknutím změníte režim

Stisknutím a podržením spustíte funkci obnovení továrního nastavení

### 8. Preset

Stisknutím a podržením tlačítka uložíte kanál jako předvolbu

Stisknutím vyvoláte uložené předvolby

### 9. Rychlé přednastavení 1, 2 & 3

Stisknutím rychle vyvoláte předvolbu 1, předvolbu 2 nebo předvolbu 3

### 10. Tune/Select

Otáčení pro ladění

Stiskněte tlačítko pro výběr

### 11. LCD displej

### 12. Reprodukční

### 13. Anténa

### 14. DC 5V IN

### 15. Zásuvka Aux in 3,5 mm

### 16. Sluchátkový výstup

### 17. USB

Zásuvka USB pro přehrávání

### 18. Talíř

### 19. Adaptér na 45 otáček za minutu

Tento adaptér umožňuje přehrávat desky s rychlostí 45 otáček za minutu

### 20. Přepínač 33 / 45 / 78 otáček za minutu

Slouží k nastavení otáček talíře gramofonu

### 21. Spínač automatického vypnutí/zapnutí

Tímto přepínačem se zapíná/vypíná funkce automatického zastavení. Je-li zapnuta funkce automatického zastavení, začne se plošina otáčet, jakmile je tónové rameno umístěno nad záznamem, a přestane se otáčet, jakmile dosáhne konce záznamu. Některé vinylové desky se zastaví před koncem nebo se nezastaví po dosažení konce. V takovém případě nastavte možnost Automatické zastavení na hodnotu OFF

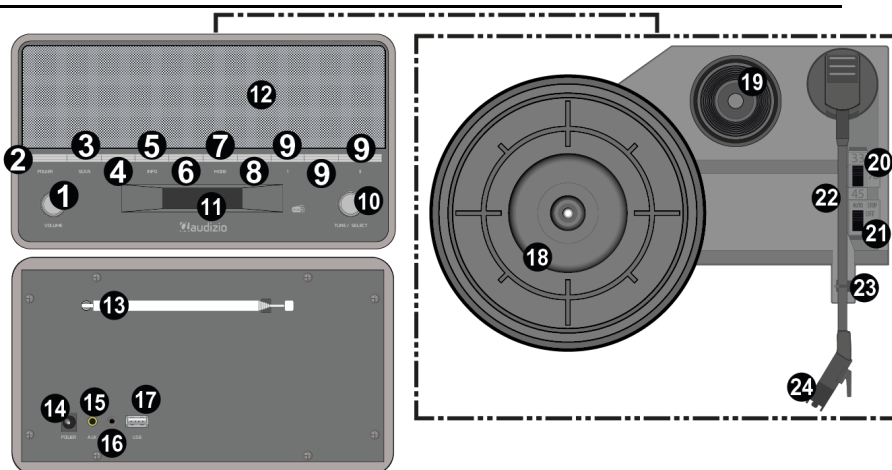
### 22. Tónové rameno

### 23. Spona na rameno

Tato spona ramene zajišťuje raménko v klidovém stavu nebo v době, kdy se nepoužívá. Klip ramene byl navržen tak, aby zůstal v odemčené poloze nahoře

### 24. Stylusová kazeta

Kazeta se stylusem/jehlou



## ZAČÍNÁME

---

- Vyjměte rádio z krabice.
- Připojte napájecí adaptér a stiskněte tlačítko **[Power]**.

**Upozornění:** Používejte pouze adaptér dodaný s rádiem. Připojení napájecího adaptéru s jinou jmenovitou hodnotou může způsobit trvalé poškození rádia a může být nebezpečné.

## DAB +

---

Pokud je ve vaší oblasti dostupné digitální rozhlasové vysílání (DAB), může přístroj přijímat stanice DAB. Rádio podporuje jak DAB, tak DAB+. Abyste dosáhli nejlepšího příjmu, umístěte rádio blízko okna a natáhněte anténu co nejdále. Někdy může být nutné upravit směr antény, aby se příjem zlepšil.

Stisknutím tlačítka **[Mode]** vyberte režim DAB.

**Automatická volba:** Stiskněte tlačítko **[Scan]**, na displeji se zobrazí "AUTOTUNE FULL SCAN". Počet nalezených stanic se zobrazí v pravém horním rohu displeje. Po dokončení skenování začne rádio automaticky přehrávat první nalezenou stanici. Otáčením knoflíku **[Tune/Select]** vyberte další stanici DAB. Potvrďte stisknutím tlačítka **[Tune/Select]**.

**Ruční volba:** Stiskněte a podržte knoflík **[Tune/Select]**, dokud se na displeji nezobrazí "MANUAL TUNE". Otáčením tlačítka **[Tune/Select]** vyberte stanici. Stiskněte tlačítko **[Tune/Select]** pro potvrzení.

**Předvolba stanice:** Při přehrávání v režimu DAB stiskněte a podržte tlačítko **[Preset]**. Na displeji se zobrazí "Preset Empty X". Otáčením tlačítka **[Tune/Select]** vyberte požadovaný slot předvolby (1-10), stisknutím tlačítka **[Tune/Select]** uložte.

Stisknutím tlačítka **[Preset]** vyvoláte paměť. Otáčením **[Tune/Select]** vyberte uloženou stanici, kterou chcete poslouchat. Potvrďte stisknutím tlačítka **[Tune/Select]**. Pokud jsou stanice uloženy ve slotu 1, 2 a/nebo 3, je možné je rychle vyvolat stisknutím tlačítka **[1]**, **[2]** nebo **[3]**.

**Zobrazení informací o kanálu:** Stisknutím tlačítka **[Info]** zobrazíte různé formy informací o přehrávané stanici.

Stisknutím tlačítka **[Menu]** zobrazíte aktuální verzi softwaru.

## FM

---

Chcete-li přijímat běžné stanice FM, umístěte rádio blízko okna a natáhněte anténu co nejdále, abyste dosáhli nejlepšího příjmu. Pro zlepšení příjmu může být nutné upravit směr antény.

Stisknutím tlačítka **[Mode]** vyberte režim FM. Stiskněte **[Scan]**, rádio začne vyhledávat kanály. Po nalezení kanálu se automaticky přehraje. Pokud příjem není takový, jaký si přejete, použijte knoflík **[Tune/Select]** k ručnímu doladění frekvence.

**Předvolba stanice:** Při přehrávání v režimu FM stiskněte a podržte tlačítko **[Preset]**. Na displeji se zobrazí "Preset Empty X". Otáčením tlačítka **[Tune/Select]** vyberte požadovaný slot předvolby (1-10), stisknutím tlačítka **[Tune/Select]** uložte.

Stisknutím tlačítka **[Preset]** vyvoláte paměť. Otáčením **[Tune/Select]** vyberte uloženou stanici, kterou chcete poslouchat. Potvrďte stisknutím tlačítka **[Tune/Select]**. Pokud jsou stanice uloženy ve slotu 1, 2 a/nebo 3, je možné je rychle vyvolat stisknutím tlačítka **[1]**, **[2]** nebo **[3]**.

**Zobrazení informací o kanálu:** Stisknutím tlačítka **[Info]** zobrazíte různé formy informací o přehrávané stanici.

Stisknutím tlačítka **[Menu]** zobrazíte aktuální verzi softwaru.

## PŘEHRÁVAČ NAHRÁVEK

---

1. Umístěte desku na gramofon. V případě potřeby umístěte na vřeteno desky také adaptér.
2. Pomocí přepínače rychlosti zvolte požadovanou rychlost přehrávání (33 nebo 78 ot./min.).
3. Zapněte jednotku.
4. Odemkněte tónové rameno uvolněním svorky tónového ramene.
5. Lehce zvedněte paži rukou.
6. Umístěte stylus svisle nad první stopu desky, gramofon se začne automaticky otáčet.
7. Pomalu spouštějte stylus na desku a přehrávejte.
8. Když deska skončí, gramofon se automaticky zastaví, pokud je spínač automatického zastavení v poloze ON. Pokud je spínač v poloze vypnuto, bude se otáčet, dokud se tónové rameno nevrátí do opěrky tónového ramene ručně.  
\* Některé vinylové desky se zastaví před koncem nebo se po dosažení konce nezastaví. V takovém případě nastavte možnost Auto-stop na OFF
9. Po dokončení zvedněte tónové rameno a položte jej na opěrku.
10. Uzamkněte tónové rameno zavřením spony tónového ramene.
11. Vypněte napájení.

## BT PLAYBACK

---

Než je možný přenos mezi vaším BT zařízením a rádiem, musí být obě zařízení propojena. Tento proces se nazývá „párování“. Rádio slouží jako přijímač pro příjem hudebního proudu přehrávaného v rádiu. Pokud jste se již dříve připojili k zařízení BT, toto připojení se automaticky obnoví, když budou obě zařízení v dosahu a na rádiu byl zvolen provoz BT. "Párování" se nemusí opakovat. Tuto funkci však může být nutné aktivovat ve vašem BT zařízení.

- Stiskněte tlačítko **[Mode]**, dokud se na displeji nezobrazí "BT".
- Zapněte v zařízení streamování BT. Zařízení vyhledá spárovatelná zařízení BT v dosahu příjmu.



- V seznamu nalezených zařízení vyberte "Audizio Frisco".
- Spustte přehrávání na zařízení BT. Přehrávání nyní probíhá vysíláním zvuku z rádia.

## AUX IN

Prostřednictvím rádia můžete poslouchat hudbu uloženou v jiném audio zařízení nebo chytrém telefonu, a to prostřednictvím připojení ke konektoru 3,5 mm aux-in na zadní straně. Použijte kabel s 3,5 mm kolíky na obou koncích, jeden konec připojte ke konektoru aux-in na rádiu, druhý konec připojte ke konektoru pro sluchátka na audio zařízení (nebo k zásuvce line out, je-li k dispozici). Stiskněte tlačítko **[Mode]**, dokud se na displeji nezobrazí "AUX IN". Přehrávejte hudbu na připojeném zařízení, zvuk se bude linout z rádia.

## NASTAVENÍ ALARMU

Alarmy se rozezní pouze tehdy, když je přístroj v režimu "ON" nebo "STANDBY".

Alarmy lze zapnout nebo vypnout v pohotovostním režimu, avšak parametry alarmu lze nastavit pouze při zapnuté jednotce.

Chcete-li nastavit nebo změnit budík 1, stiskněte jednou tlačítko **[Alarm]**, poté vyberte možnost "ON" a stiskněte tlačítko **[Tune/Select]**. Chcete-li nastavit nebo změnit alarm 2, stiskněte dvakrát tlačítko **[Alarm]**, poté vyberte možnost "ON" a stiskněte tlačítko **[Tune/Select]**. Chcete-li ukončit režim nastavení alarmu, stiskněte znovu tlačítko **[Alarm]**.

Nastavení alarmu vás vyzve k zadání následujících parametrů. Otáčením knoflíku **[Tune/Select]** vyberte hodnotu pro každý parametr a stisknutím tlačítka **[Tune/Select]** potvrďte a zobrazte další parametr.

- Hodiny
- Zápisy
- Daily, Weekdays, Weekends, Once  
Výběr dnů, kdy je budík aktivní.
- Source – Beeper 1, Beeper 2, DAB nebo FM

Stiskněte tlačítko **[Alarm]** nebo **[Power]**, když budík zní, a vypněte jej. Budík se resetuje na další den. Pokud není zaregistrován žádný vstup, budík se automaticky vypne po 59 minutách.

## NABÍDKA

V režimu DAB stiskněte tlačítko **[Menu]** a otáčením ladicího knoflíku nastavte následující hodnoty:

- Auto Scan  
Úplné prohledání dostupných rozhlasových kanálů DAB.
- Manual Tune  
Ruční vyhledávání rozhlasových kanálů DAB.
- Dynamic range compression (DRC) (Off/ High/ Low)  
Tato funkce snižuje rozdíl mezi nejhlasitějším a nejtíšším vysílaným zvukem.  
Tiché zvuky se tak stanou relativně hlasitějšími a hlasité relativně tiššími.  
**Poznámka:** Funkce DRC funguje pouze tehdy, pokud ji povolí provozovatel vysílání konkrétní stanice.
- Prune  
Yes- odstranit všechny neplatné stanice.  
No- zachovat všechny stanice.
- Set Time/Date
- System Reset  
Výběrem možnosti "YES" vymažete všechna nastavení.
- SW version

V režimu FM stiskněte tlačítko **[Menu]** a otáčením ladicího knoflíku nastavte následující hodnoty:

- Scan Setting  
Vyberte skenování silných stanic nebo všech stanic.
- Audio Setting  
Vyberte možnost Vynucené mono nebo Stereo povoleno.
- Set Time/Date
- System Reset  
Výběrem možnosti "YES" vymažete všechna nastavení.
- SW version

**TECHNICAL SPECIFICATION / TECHNISCHE SPECIFICATIE / TECHNISCHE DATEN /  
SPECIFICACIONES TÉCNICAS / SPÉCIFICATIONS TECHNIQUES / SPECYFIKACJA  
TECHNICZNA / TECHNICKÁ SPECIFIKACE**

---

Playback options	: BT 5.0 streaming, DAB+ tuner, FM radio, USB
Input connections	: 3.5mm Jack, USB
Output connections	: 3.5mm Jack
Speed settings (RPM)	: 33, 45, 78
Output power	: 60W
Power supply	: 100-240VAC 50/60Hz (5V Adapter)
Dimensions (L x W x H)	: 280 x 318 x 235mm
Weight	: 2,45

The specifications are typical. The actual values can slightly change from one unit to the other. Specifications can be changed without prior notice.

The products referred to in this manual conform to the European Community Directives to which they are subject:

**European Union**

Tronios B.V.,  
Bedrijvenpark Twente Noord 18,  
7602KR Almelo, The Netherlands

2014/35/EU  
2014/30/EU  
2011/65/EC  
2014/53/EU



**United Kingdom**

Tronios Ltd.,  
130 Harley Street,  
London W1G 7JU, United Kingdom

S.I. 2016:1101  
S.I. 2016:1091  
S.I. 2012:3032  
S.I. 2017:1206





Specifications and design are subject to change without prior notice.

**[www.audizio.com](http://www.audizio.com)**

Copyright © 2023 by Tronios The Netherlands