



TULSA RECORD PLAYER RADIO

Ref. nr.: 102.194



INSTRUCTION MANUAL
GEBRUIKSAANWIJZING
BEDIENUNGSANLEITUNG
MANUAL DE INSTRUCCIONES
MANUEL D'INSTRUCTIONS
INSTRUKCJA OBSŁUGI
NÁVOD K POUŽITÍ

V1.0

INDEX

ENGLISH	5
UNPACKING INSTRUCTION.....	6
POWERSUPPLY	6
CONTROLS AND CONNECTIONS	6
GETTING STARTED.....	7
DAB +	7
FM RADIO	7
RECORD PLAYER.....	8
BT PLAYBACK	8
AUX IN.....	8
USB/SD	8
ALARM SETTING.....	8
SYSTEM SETTINGS.....	9
NEDERLANDS	10
UITPAKKEN	11
AANSLUITSPANNING	11
BEDIENING	11
AAN DE SLAG GAAN	12
DAB+	12
FM RADIO	12
PLATENSPELER.....	13
BT AFSPLEN	13
AUX IN.....	13
USB/SD	13
ALARM INSTELLEN.....	14
SYSTEEMINSTELLINGEN.....	14
DEUTSCH	15
AUSPACKEN	16
NETZANSCHLUSS	16
BEDIENUNG	16
ERSTE SCHRITTE	17
DAB+	17
UKW (FM) RADIO	17
PLATTENSPIELER	18
BT WIEDERGABE.....	18
AUX ANSCHLUSS	18
USB/SD	18
ALARMEINSTELLUNG.....	19
SYSTEMEINSTELLUNGEN	19
ESPAÑOL	20
INSTRUCCIONES DE DESEMBALAJE	21
FUENTE DE ALIMENTACIÓN.....	21
OPERACIÓN	21
EMPEZANDO.....	22
DAB +	22
RADIO FM.....	22
REPRODUCTOR DE DISCOS.....	23
REPRODUCCIÓN BT	23
AUX IN (ENTRADA AUXILIAR).....	23
USB/SD	23
AJUSTE DE ALARMA	24
AJUSTES DEL SISTEMA	24
FRANÇAIS	25
DEBALLAGE.....	26
ALIMENTATION	26
REGLAGES	26
DEMARRER.....	27
DAB +	27
FM RADIO	27
TOURNE-DISQUE	28
LECTURE BT	28
AUX IN.....	28
USB/SD	28
REGLAGE ALARME	29
POLSKI	30
INSTRUKCJA ROZPAKOWANIA	31
ZASILANIE	31
STEROWANIE I POŁĄCZENIA.....	31
ROZPOCZĘCIE PRACY.....	32

DAB+	32
FM	32
GRAMOFON	33
ODTWARZANIE BT	33
AUX IN	33
USB/SD	33
USTAWIENIE ALARMU	34
USTAWIENIA SYSTEMOWE	34
ČESKY	35
POKYNY PO VYBALENÍ	36
NAPÁJENÍ	36
OVLÁDACÍ PRVKY A PŘIPOJENÍ	36
ZAČÍNÁME	37
DAB +	37
FM	37
GRAMOFONOVÝ PŘEHRÁVAČ	38
BT PLAYBACK	38
AUX IN	38
USB/SD	38
NASTAVENÍ ALARMU	39
NASTAVENÍ SYSTÉMU	39
TECHNICAL SPECIFICATION / TECHNISCHE SPECIFICATIE / TECHNISCHE DATEN / SPECIFICACIONES TÉCNICAS / SPÉCIFICATIONS TECHNIQUES / SPECYFIKACJA TECHNICZNA / TECHNICKÁ SPECIFIKACE	40

ENGLISH

Congratulations to the purchase of this Audizio product. Please read this manual thoroughly prior to using the unit in order to benefit fully from all features.

Read the manual prior to using the unit. Follow the instructions in order not to invalidate the warranty. Take all precautions to avoid fire and/or electrical shock. Repairs must only be carried out by a qualified technician in order to avoid electrical shock. Keep the manual for future reference.

- Prior to using the unit, please ask advice from a specialist. When the unit is switched on for the first time, some smell may occur. This is normal and will disappear after a while.
- The unit contains voltage carrying parts. Therefore do NOT open the housing.
- Do not place metal objects or pour liquids into the unit. This may cause electrical shock and malfunction.
- Do not place the unit near heat sources such as radiators, etc. Do not place the unit on a vibrating surface. Do not cover the ventilation holes.
- The unit is not suitable for continuous use.
- Be careful with the mains lead and do not damage it. A faulty or damaged mains lead can cause electrical shock and malfunction.
- When unplugging the unit from a mains outlet, always pull the plug, never the lead.
- Do not plug or unplug the unit with wet hands.
- If the plug and/or the mains lead are damaged, they need to be replaced by a qualified technician.
- If the unit is damaged to such an extent that internal parts are visible, do NOT plug the unit into a mains outlet and DO NOT switch the unit on. Contact your dealer. Do NOT connect the unit to a rheostat or dimmer.
- To avoid fire and shock hazard, do not expose the unit to rain and moisture.
- All repairs should be carried out by a qualified technician only.
- Connect the unit to an earthed mains outlet (220-240Vac/50Hz) protected by a 10-16A fuse.
- During a thunderstorm or if the unit will not be used for a longer period of time, unplug it from the mains. The rule is: Unplug it from the mains when not in use.
- If the unit has not been used for a longer period of time, condensation may occur. Let the unit reach room temperature before you switch it on. Never use the unit in humid rooms or outdoors.
- To prevent accidents in companies, you must follow the applicable guide lines and follow the instructions.
- Do not repeatedly switch the fixture on and off. This shortens the life time.
- Keep the unit out of the reach of children. Do not leave the unit unattended.
- Do not use cleaning sprays to clean switches. The residues of these sprays cause deposits of dust and grease. In case of malfunction, always seek advice from a specialist.
- Do not force the controls.
- This unit is with speaker inside which can cause magnetic field. Keep this unit at least 60cm away from computer or TV.
- If this product have a built-in lead-acid rechargeable battery. Please recharge the battery every 3 months if you are not going to use the product for a long period of time. Otherwise, the battery may be permanently damaged.
- If the battery is damaged please replace with same specifications battery. And dispose the damaged battery environment friendly.
- If the unit has fallen, always have it checked by a qualified technician before you switch the unit on again.
- Do not use chemicals to clean the unit. They damage the varnish. Only clean the unit with a dry cloth.
- Keep away from electronic equipment that may cause interference.
- Only use original spares for repairs, otherwise serious damage and/or dangerous radiation may occur.
- Switch the unit off prior to unplugging it from the mains and/or other equipment. Unplug all leads and cables prior to moving the unit.
- Make sure that the mains lead cannot be damaged when people walk on it. Check the mains lead before every use for damages and faults!
- The mains voltage is 220-240Vac/50Hz. Check if power outlet match. If you travel, make sure that the mains voltage of the country is suitable for this unit.
- Keep the original packing material so that you can transport the unit in safe conditions.



This mark attracts the attention of the user to high voltages that are present inside the housing and that are of sufficient magnitude to cause a shock hazard.



This mark attracts the attention of the user to important instructions that are contained in the manual and that he should read and adhere to.

The unit has been certified CE. It is prohibited to make any changes to the unit. They would invalidate the CE certificate and their guarantee!

NOTE: To make sure that the unit will function normally, it must be used in rooms with a temperature between 5°C/41°F and 35°C/95°F.



Electric products must not be put into household waste. Please bring them to a recycling centre. Ask your local authorities or your dealer about the way to proceed. The specifications are typical. The actual values can slightly change from one unit to the other. Specifications can be changed without prior notice.

Do not attempt to make any repairs yourself. This would invalid your warranty. Do not make any changes to the unit. This would also invalid your warranty. The warranty is not applicable in case of accidents or damages caused by inappropriate use or disrespect of the warnings contained in this manual. Audizio cannot be held responsible for personal injuries caused by a disrespect of the safety recommendations and warnings. This is also applicable to all damages in whatever form.

UNPACKING INSTRUCTION

CAUTION! Carefully unpack the box upon receipt. Check the contents to ensure that all parts are present and have been received in good condition. Notify the shipper immediately and retain packaging material if any parts appear damaged from shipping or the package itself shows signs of mishandling. Save the package and all packaging materials. If the product must be returned, it is important that the product is returned in the original factory box and packaging.

If the device has been exposed to drastic temperature fluctuation (e.g. after transportation), do not switch it on immediately. The arising condensation water might damage your device. Leave the device switched off until it has reached room temperature.

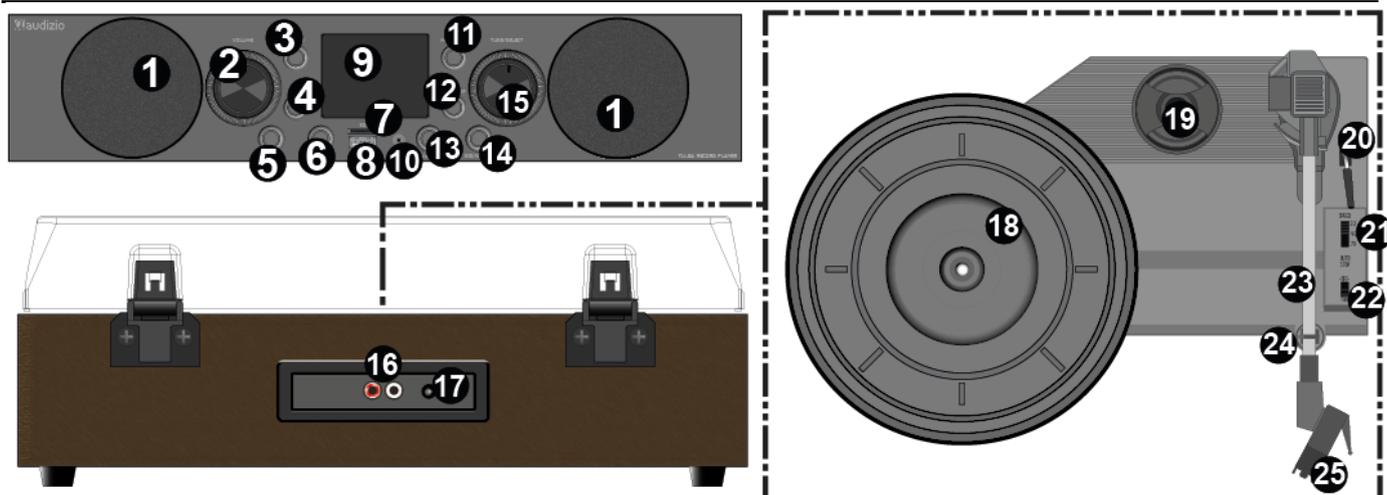
POWERSUPPLY

The label on the back/under side of the product indicates the mains voltage to which it must be connected. Check that the mains voltage corresponds to this. Any other voltage than the one indicated may cause irreparable damage to the unit. The unit must also be connected directly to the mains voltage and no dimmer or adjustable power supply may be used.



Always connect the device to a protected circuit (circuit breaker or fuse). Make sure the device has an appropriate electrical ground to avoid the risk of electrocution or fire.

CONTROLS AND CONNECTIONS



1. **Speaker**
2. **Volume control**
Rotate to adjust the volume level
3. **Power**
Short press to turn the device on or in/out of standby mode
Press and hold to turn off the device
4. **Mode**
Press to change modes
5. **Playback**
Press to play recorded file when in recorded source mode
6. **Record**
Used to record turntable/AUX/FM/DAB playback on SD or USB (when inserted)
7. **SD slot**
8. **USB slot**
9. **LCD display**
10. **Aux in jack 3.5 mm**
11. **Menu/Info**
Press during FM- or DAB playback to show various parameters of information
Press and hold to enter the (settings) menu
12. **Preset/Repeat**
Press during FM- or DAB playback to enter the preset list
Press and hold during FM- or DAB playback to initiate channel preset saving
13. **Alarm**
Press and hold to enter alarm setting menu
14. **Scan/Play**
Press to (un)mute the device
Press in USB-/SD mode to (re)start/pause playback
Press and hold in FM- DAB mode to scan for stations automatically
15. **Tune/Select**
Rotate to tune or navigate
Press to select
16. **Line output**
RCA line output

17. DC 5V IN

18. Platter

19. 45rpm adapter

This adapter allows you to play 45RPM records

20. Tone arm lever

Use to raise/lower the tone arm

21. 33 / 45 / 78 RPM switch

Use to adjust the RPM of the turntable platter

22. Autostop switch ON/OFF

This switch turns the auto stop-function on/off. When the automatic stop is enabled, the platform will start rotating as soon as the tone arm is placed over the record and will stop rotating when it has reached the end of the record. Some vinyl records stop before the end or do not stop when the end is reached. In this case set Auto-stop to OFF

23. Tone arm

24. Arm clip

This arm clip secures the tonearm while at rest or when not in use. The arm clip has been designed to remain in the up position whilst unlocked

25. Stylus cartridge

Cartridge containing the stylus/needle

GETTING STARTED

- Remove the radio record player from the package box.
- Plug in the power adapter and press **[Power]**.

Caution: Use only the adaptor supplied with the unit. Connecting a power supply with a different rating can cause permanent damage to the unit and may be hazardous.

DAB +

If there is Digital Audio Broadcasting (DAB) in your area, the unit can pick up the DAB stations. The radio supports both DAB and DAB+.

Place the radio close to the window and unwind the antenna to get the best reception. Sometimes you may need to adjust the direction of the antenna to improve reception.

Press **[Mode]** to select DAB mode. Press **[Tune/Select]** to confirm and enter the DAB mode.

Auto scan: Press and hold **[Scan/Play]**. The display will show "Scanning...", the device will automatically scan for available stations. The radio will start to play the first found station automatically after completing the scan.

Rotate the **[Tune/Select]** knob to open the station list and select another DAB station. Press **[Tune/Select]** to confirm.

Station presetting: While playing in DAB mode, press and hold **[Preset/Repeat]**. Rotate **[Tune/Select]** to select the desired preset slot (1-30), press **[Preset/Repeat]** to store. The display will show "Preset # Stored".

Press **[Preset/Repeat]** to recall memory. Rotate **[Tune/Select]** to select the stored station you want to listen to. Press **[Tune/Select]** to confirm.

Show channel information: Press **[Menu/Info]** to show various forms of information regarding the station that is being played.

DAB settings:

When in DAB mode, press and hold **[Menu/Info]** to enter the settings menu. Rotate **[Tune/Select]** to be able to select the following properties:

- Full scan: Automatic full channel search/scan for DAB stations. Once completed, the device will automatically start playing the first found station.
- Manual tune: Enables manually tuning into a DAB station. Rotate **[Tune/Select]** to change the frequency. Press **[Tune/Select]** to confirm and play.
- DRC (Dynamic Range Control): When listening to music with high dynamic range in a noisy environment, you can compress the audio dynamic range. Rotate and press **[Tune/Select]** to select off/high/low.
- Prune: Enables clearing invalid/unavailable stations. Rotate and press **[Tune/Select]** to select yes/no.
- System: Identical to "System settings" menu.

FM RADIO

To receive the ordinary FM stations, place the radio close to the window and unwind the antenna to get the best reception. Sometimes you may need to adjust the direction of the antenna to improve reception.

Press **[Mode]** to select FM mode. Press and hold **[Scan/Play]**, the radio will start searching for stations. "Auto Scanning..." will show on the display. The device will automatically scan for available stations. The radio will start to play the first found station automatically after completing the scan. If reception is not as desired, use the **[Tune/Select]** knob to manually fine tune frequency.

Station presetting: While playing in FM mode, press and hold **[Preset/Repeat]**. Rotate **[Tune/Select]** to select the desired preset slot (1-30), press **[Preset/Repeat]** to store. The display will show "Preset # Stored".

Press **[Preset/Repeat]** to recall memory. Rotate **[Tune/Select]** to select the stored station you want to listen to. Press **[Tune/Select]** to confirm.

Show channel information: Press **[Menu/Info]** to show various forms of information regarding the station that is being played.

FM settings:

When in FM mode, press and hold **[Menu/Info]** to enter the settings menu. Rotate **[Tune/Select]** to be able to select the following properties:

- Auto scan: Initiates an automatic scan for stations.
- Scan setting: Enables to choose between a scan for all stations, or for strong stations only.
- Audio setting: Enables to choose between stereo allowed- or forced mono playback.
- System: Identical to "System settings" menu.

RECORD PLAYER

- Press **[Mode]** to select turntable mode.
- Place the record on the turntable. If required, place the 45rpm adapter on the record spindle.
- Choose the desired playing speed using the speed selection switch (33-, 45- or 78rpm).
- Turn on the unit.
- Make sure that any protective cover is removed from the stylus.
- Unlock the tone arm by releasing the tone arm clip.
- Raise the arm by using the tone arm lever.
- Place the stylus vertically over the first track of the record, the turntable will start turning automatically.
- Lower the stylus slowly onto the record by using the tone arm lever to play.
- When a record comes to the end, the turntable will stop automatically if the auto-stop switch is in the ON position. If the switch is in the off position then it will keep turning until the switch is set in the ON position.
 - * Some vinyl records stop before the end or do not stop when the end is reached. In this case set Auto-stop to OFF.
- Lift up the tone arm and put it on the rest when finished, always using the tone arm lever.
- Lock the tone arm by closing the tone arm clip.
- Re-attach the stylus cover.
- Turn off the power.

BT PLAYBACK

Before transmission between your BT device and the radio is possible, both devices must be coupled. This process is called "pairing". The radio is served as a receiver, to receive the music stream to be played on the radio.

If you have already coupled to a BT device before, this connection will be restored automatically when both devices are in range and BT operation has been selected on the radio. "Pairing" does not have to be repeated. This function may need to be activated in your BT device, however.

- Press **[Mode]** until "BT" shows on the display.
- Turn on BT streaming on your device. The device will scan for pairable BT devices in the reception range.
- Select "Audizio Tulsa" from the list with found devices.
- Start playback on your BT device. Playback now takes place emitting sound from the radio.

AUX IN

You can listen to the music stored in other audio device or smart phone via the radio, through the connection to the 3.5 mm aux-in jack on the front side. Use a cable with 3.5 mm pins at both ends, one end connected to the aux-in jack on the radio, the other end connected to the earphone jack on the audio device (or line out socket if available).

Press **[Mode]** and select AUX mode, press **[Tune/Select]** to confirm and enter. Play music on the connected device, the sound will be emitted from the radio.

USB/SD

Playback: Insert your USB drive or SD (TF)-card in the corresponding slot. The display will show "Please wait", then "USB" or "TF", depending on the chosen method. The device will automatically start playing the files. Rotate **[Tune/Select]** to choose the previous/next track. Press **[Scan/Play]** to (re)start/pause playback. Press **[Preset/Repeat]** to select a repeat mode (One-All-Random).

Record:

- Insert your USB drive or SD(TF)-card in the corresponding slot.
- Press **[Mode]** to select the music source you want to record.
- Press **[Record]** until "REC" starts flashing on the display. The device will now record.
- To stop recording, press **[Record]** until "REC" disappears from the display.
- After recording, press **[Playback]** to play the recorded files from USB- or SD.

ALARM SETTING

To set or change alarm 1 or 2, press and hold **[Alarm]**. Select either "Alarm 1 info" or "Alarm 2 info" and press **[Tune/Select]**.

The alarm setup prompts you for the following parameters. Select a value for each parameter by rotating the **[Tune/Select]** knob and press **[Tune/Select]** to confirm and prompt the next parameter.

- Alarm: Choose to turn the alarm on/off.
- Frequency: Daily, Weekdays, Weekends, Once.

- Wake up time: Set the hour and minutes values. Select a value for each parameter by rotating the **[Tune/Select]** knob and press **[Tune/Select]** to confirm and prompt the next parameter.
- Source: Buzzer, DAB or FM.
In case "SOURCE" is the same as the current playback mode, buzzer will be used.
- Duration: Choose between 15-, 30-, 45-, 60-, 90- and 120 minutes.
- Volume: Rotate **[Tune/Select]** to select the desired alarm volume.

Snooze: Press **[Tune/Select]** to snooze after the alarm has started sounding. The next alarm will then sound 5 minutes later. Press **[Alarm]**, **[Mode]** or **[Power]** when the alarm is sounding to shut it off.

SYSTEM SETTINGS

Press and hold **[Menu/Info]** to prompt the system settings menu. Rotate the **[Tune/Select]** to select "System" and press **[Tune/Select]** to confirm and enter into the sub-menu.

Rotate **[Tune/Select]** to select the following options on the sub-menu and press **[Tune/Select]** to confirm.

Note: During the setting process, press **[Menu/Info]** to return to the previous menu, rotate **[Tune/Select]** through different setting sub-menu's. Press **[Tune/Select]** to confirm the current setting.

Time

Set time and date: Press **[Tune/Select]** to cycle through hour, minute, day, month and year properties. Rotate **[Tune/Select]** to adjust and press **[Tune/Select]** to confirm the update value.

Auto update: Initiates automatic time and date updates (options: update from any, update from DAB, update from FM, No update).

Set 12/24 hour format: Choose between 24-hour or 12-hour settings.

Set date format: Choose between DD-MM-YYYY or MM-DD-YYYY.

Language

Choose the preferred system language.

Backlight

Set the backlight value. Choose between high, medium and low.

Sleep timer

The device will turn into standby mode after the set elapsed time automatically.

Choose between sleep off, 15-, 30-, 60-, 90- and 120 minutes.

Equalizer

Change the sound settings between different preset sound profiles.

Choose between normal, jazz, popular, classic and rock.

Factory reset

Note: Initiating a factory reset removes all presets, stored stations, alarms and resets all other options to default settings.

Rotate and press **[Tune/Select]** to select 'Yes'. The device will be reset to factory settings. Select 'No' if you do not want to reset to factory settings.

Software version

Enter this sub-menu to see the currently installed software version of the device.

NEDERLANDS

Hartelijk dank voor de aanschaf van dit Audizio product. Neemt u a.u.b. een paar momenten de tijd om deze handleiding zorgvuldig te lezen, aangezien wij graag willen dat u onze producten snel en volledig gebruikt.

Lees deze handleiding eerst door alvorens het product te gebruiken. Volg de instructies op anders zou de garantie wel eens kunnen vervallen. Neem ook altijd alle veiligheidsmaatregelen om brand en/of een elektrische schok te voorkomen. Tevens is het ook raadzaam om reparaties / modificaties e.d. over te laten aan gekwalificeerd personeel om een elektrische schok te voorkomen. Bewaar deze handleiding ook voor toekomstig gebruik.

- Bewaar de verpakking zodat u indien het apparaat defect is, dit in de originele verpakking kunt opsturen om beschadigingen te voorkomen.
- Voordat het apparaat in werking wordt gesteld, altijd eerst een deskundige raadplegen. Bij het voor de eerste keer inschakelen kan een bepaalde reuk optreden. Dit is normaal en verdwijnt na een poos.
- In het apparaat bevinden zich onder spanning staande onderdelen; open daarom NOOIT dit apparaat.
- Plaats geen metalen objecten en mors geen vloeistof in het effect. Dit kan leiden tot elektrische schokken of defecten.
- Toestel niet opstellen in de buurt van warmtebronnen zoals radiatoren etc. en niet op een vibrerende onder- grond plaatsen. Dek ventilatieopeningen nooit af.
- Het apparaat is niet geschikt voor continu gebruik.
- Wees voorzichtig met het netsnoer en beschadig deze niet. Als het snoer kapot of beschadigd is, kan dit leiden tot elektrische schokken of defecten.
- Als u de stekker uit het stopcontact neemt, trek dan niet aan het snoer, maar aan de stekker.
- Om brand of elektrische schok te voorkomen, dient u dit apparaat niet bloot te stellen aan regen of vocht.
- Verwijder of plaats een stekker nooit met natte handen resp. uit en in het stopcontact.
- Indien zowel de stekker en/of netsnoer als snoeringang in het apparaat beschadigd zijn dient dit door een vakman hersteld te worden.
- Indien het apparaat zo beschadigd is dat inwendige (onder)delen zichtbaar zijn mag de stekker NOOIT in het stopcontact worden geplaatst en het apparaat NOOIT worden ingeschakeld. Neem in dit geval contact op met de dealer.
- Sluit het apparaat nooit op een dimmer aan.
- Reparatie aan het apparaat dient te geschieden door een vakman of een deskundige.
- Sluit het apparaat alleen aan op een 220-240VAC / 50Hz (geaard) stopcontact, verbonden met een 10-16A meterkastgroep.
- Bij onweer altijd de stekker uit het stopcontact halen, zo ook wanneer het apparaat voor een langere tijd niet gebruikt wordt. Stelregel: Bij geen gebruik stekker verwijderen.
- Als u het apparaat lang niet gebruikt heeft en het weer wil gebruiken kan er condens ontstaan; laat het apparaat eerst op kamertemperatuur komen alvorens het weer in werking te stellen.
- Apparaat nooit in vochtige ruimten en buiten gebruiken.
- Om ongevallen in bedrijven te voorkomen moet rekening worden gehouden met de daarvoor geldende richtlijnen en moeten de aanwijzingen/waarschuwingen worden gevolgd.
- Het apparaat buiten bereik van kinderen houden. Bovendien mag het apparaat nooit onbeheerd gelaten worden.
- Gebruik geen schoonmaakspray om de schakelaars te reinigen. Restanten van deze spray zorgen ervoor dat smeer en stof ophopen. Raadpleeg bij storing te allen tijde een deskundige.
- Gebruik geen overmatige kracht bij het bedienen van het apparaat.
- Dit apparaat kan magnetisch veld veroorzaken. Houd dit apparaat ten minste 60 cm afstand van de computer of tv.
- Indien dit apparaat beschikt over een loodaccu, dient deze tenminste elke 3 maanden opgeladen te worden indien deze voor een langere periode niet wordt gebruikt anders bestaat de kans dat de accu permanent beschadigd.
- Bij een ongeval met dit product altijd eerst een deskundige raadplegen alvorens opnieuw te gebruiken.
- Tracht het apparaat niet schoon te maken met chemische oplossingen. Dit kan de lak beschadigen. Gebruik een droge doek om schoon te maken.
- Blijf uit de buurt van elektronische apparatuur die bromstoringen zouden kunnen veroorzaken.
- Bij reparatie dienen altijd originele onderdelen te worden gebruikt om onherstelbare beschadigingen en/of ontoelaatbare straling te voorkomen.
- Schakel eerst het toestel uit voordat u het netsnoer verwijderd. Verwijder netsnoer en aansluitsnoeren voordat u dit product gaat verplaatsen.
- Zorg ervoor dat het netsnoer niet beschadigd/defect kan raken wanneer mensen erover heen lopen. Het netsnoer vóór ieder gebruik controleren op breuken/defecten!
- In Nederland/België is de netspanning 220-240Vac/50Hz. Indien u reist (en u neemt het apparaat mee) informeer dan naar de netspanning in het land waar u verblijft.



Deze markering wordt weergegeven om u erop attent te maken dat een levensgevaarlijke spanning in het product aanwezig is en dat bij aanraking van deze delen een elektrische schok wordt verkregen.



Deze instructiemarkering wordt weergegeven om u erop te wijzen dat de instructie zeer belangrijk is om te lezen en/of op te volgen.

OPMERKING: Om zeker te zijn van een correcte werking, dient u dit apparaat in een ruimte te gebruiken waar de temperatuur tussen de 5°C/41°F en 35°C/95°F ligt.



Raadpleeg eventueel www.wecycle.nl en/of www.vrom.nl v.w.b. het afdanken van elektronische apparaten in het kader van de WEEE-regeling. Vele artikelen kunnen worden gerecycled, gooi ze daarom niet bij het huisvuil maar lever ze in bij een gemeentelijk depot of uw dealer. Lever ook afgedankte batterijen in bij uw gemeentelijk depot of bij de dealer, zie www.stibat.nl

Alle (defecte) artikelen dienen gedurende de garantieperiode altijd retour te worden gezonden in de originele verpakking. Voer zelf geen reparaties uit aan het toestel; in elk geval vervalt de totale garantie. Ook mag het toestel niet eigenmachtig worden gemodificeerd, ook in dit geval vervalt de totale garantie. Ook vervalt de garantie bij ongevallen en beschadigingen in elke vorm t.g.v. onoordeelkundig gebruik en het niet in acht nemen van het gestelde in deze gebruiksaanwijzing. Tevens aanvaardt Audizio geen enkele aansprakelijkheid in geval van persoonlijke ongelukken als gevolg van het niet naleven van veiligheidsinstructies en waarschuwingen. Dit geldt ook voor gevolgschade in welke vorm dan ook.

UITPAKKEN

LET OP! Pak na ontvangst de doos zorgvuldig uit. Controleer of alle onderdelen aanwezig- en in goede staat ontvangen zijn. Bij transportschade of bij het ontbreken van onderdelen onmiddellijk de verkopende partij inlichten. Bewaar de verpakking en het verpakkingsmateriaal. Indien het product moet worden teruggestuurd, is het belangrijk dat het product in originele verpakking wordt geretourneerd. Schakel het apparaat niet onmiddellijk in als het apparaat is blootgesteld aan drastische temperatuurverschillen (bv. na het transport). De ontstane condensatie kan het apparaat beschadigen. Zorg ervoor dat het apparaat eerst op kamertemperatuur komt alvorens het aan te sluiten.

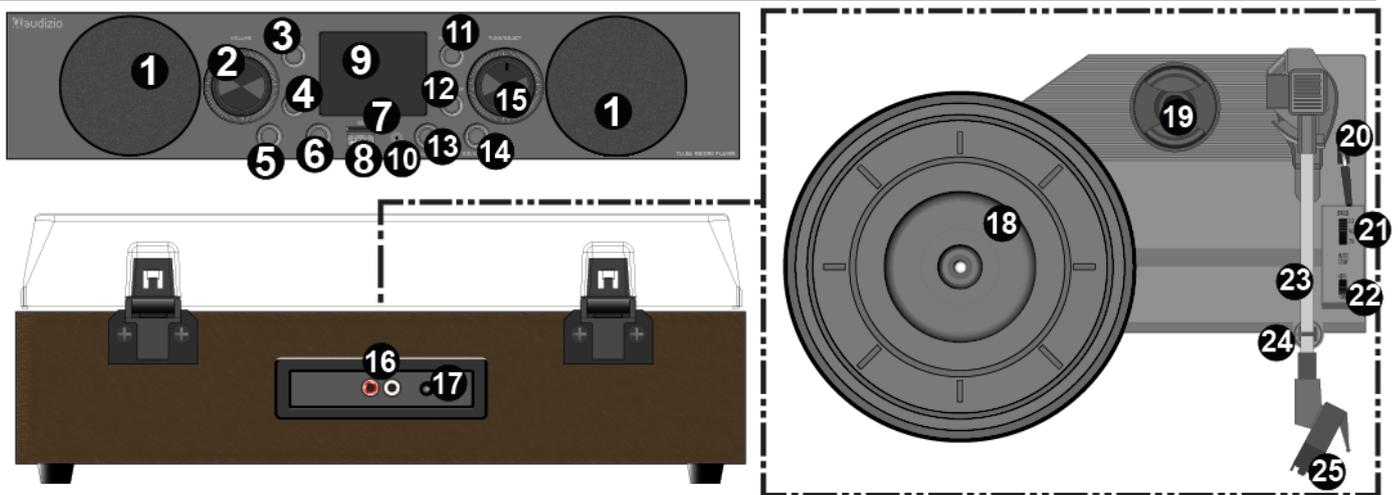
AANSLUITSPANNING

Op het label aan de achterzijde van het product staat aangegeven op welke netspanning deze moet worden aangesloten. Controleer of de netspanning hiermee overeenkomt, bij alle andere netspanningen dan aangegeven kan het apparaat onherstelbaar worden beschadigd. Tevens moet het apparaat direct op de netspanning worden aangesloten en mag géén dimmer of regelbare voeding worden gebruikt.



Sluit het apparaat altijd aan op een beschermd circuit (aardlekschakelaar of zekering). Zorg ervoor dat het apparaat voldoende elektrisch is geaard om het risico op elektrocutie of brand te vermijden.

BEDIENING



1. **Luidspreker**
2. **Volumeregelaar**
Draai aan deze knop om het volume te regelen
3. **Power**
Indrukken om het apparaat in te schakelen of in/uit de stand-by modus te zetten
Ingedrukt houden om het apparaat uit te zetten
4. **Mode**
Indrukken om van modus te veranderen
5. **Playback**
Druk om opgenomen bestand af te spelen in opnamemodus
6. **Record**
Wordt gebruikt om de weergave van de platenspeler/AUX/FM/DAB op SD of USB op te nemen (indien geplaatst)
7. **SD**
8. **USB**
9. **LCD-scherm**
10. **AUX IN 3.5mm Jack-aansluiting**
11. **Menu/Info**
Indrukken tijdens FM- of DAB-weergave om verschillende informatieparameters te tonen
Ingedrukt houden om het (instellingen)menu te openen
12. **Preset/Repeat**
Indrukken tijdens FM- of DAB-weergave om de voorkeurslijst te openen
Ingedrukt houden tijdens FM- of DAB-weergave om het opslaan van voorkeurszenders te starten
13. **Alarm**
Ingedrukt houden om het alarm instellingsmenu te openen
14. **Scan/Play**
Indrukken om het apparaat te (de)dempen
Indrukken in USB-/SD-modus om het afspelen te (her)starten/pauzeren
Ingedrukt houden in FM- DAB-modus om automatisch naar zenders te scannen
15. **Tune/Select**
Draaien om af te stemmen of te navigeren
Druk om te selecteren
16. **Lijnuitgang**
RCA lijnuitgang

17. DC 5V ingang

18. Draaitafel

19. 45rpm adapter

Met deze adapter kun je 45RPM platen afspelen

20. Toonarmhendel

Gebruik om de toonarm te verhogen/verlagen

21. 33 / 45 / 78 TPM schakelaar

Voor het instellen van het toerental van het draaiplateau

22. Autostop AAN/UIT

Deze schakelaar zet de automatische stop-functie aan/uit. Wanneer de automatische stop is ingeschakeld, begint het platform te draaien zodra de toonarm over de plaat wordt geplaatst en stopt het met draaien wanneer het het einde van de plaat heeft bereikt. Sommige vinylplaten stoppen voor het einde of stoppen niet wanneer het einde is bereikt. Stel in dat geval Auto-stop in op OFF

23. Toonarm

24. Toonarm klem

Deze armklem zet de toonarm vast wanneer deze in rust is of niet wordt gebruikt. De armklem is ontworpen om in de opwaartse positie te blijven terwijl hij ontgrendeld is

25. Stylus cartridge

Patroon met de naald

AAN DE SLAG GAAN

• Haal de platenspelerradio uit de verpakking.

• Sluit de voedingsadapter aan of plaats de juiste batterijen en druk op **[Power]**.

Let op: Gebruik alleen de bij de radio geleverde adapter. Het aansluiten van een voeding met een andere rating kan permanente schade aan de radio veroorzaken en kan gevaarlijk zijn.

DAB+

Als er Digital Audio Broadcasting (DAB) in uw omgeving is, kan de radio ook de DAB-zenders ophalen. De radio ondersteunt zowel DAB als DAB+. Plaats de radio dicht bij het raam en strek de antenne zo ver mogelijk uit om de beste ontvangst te krijgen. Soms moet u de richting van de antenne aanpassen om de ontvangst te verbeteren.

Druk op **[Mode]** om de DAB-functie te kiezen. Druk op **[Tune/Select]** om te bevestigen en de DAB-functie in te schakelen.

Automatisch scannen: Houd **[Scan/Play]** ingedrukt. Het display toont "Scanning...", het apparaat zoekt automatisch naar beschikbare zenders. De radio begint de eerste gevonden zender automatisch af te spelen nadat de scan is voltooid.

Draai aan de knop **[Tune/Select]** om de zenderlijst te openen en een andere DAB-zender te selecteren. Druk op **[Tune/Select]** om te bevestigen.

Voorkeuzezenders: Houd tijdens weergave in de DAB-modus **[Preset/Repeat]** ingedrukt. Draai aan **[Tune/Select]** om de gewenste voorkeurszender (1-30) te kiezen en druk op **[Preset/Repeat]** om deze op te slaan. Het display toont "Preset # Stored".

Druk op **[Preset/Repeat]** om het geheugen op te roepen. Draai aan **[Tune/Select]** om de opgeslagen zender te kiezen die u wilt beluisteren. Druk op **[Tune/Select]** om te bevestigen.

Toon kanaalinformatie: Druk op **[Menu/Info]** om verschillende vormen van informatie weer te geven over de zender die wordt afgespeeld.

DAB-instellingen:

Houd in de DAB-modus **[Menu/Info]** ingedrukt om het instellingenmenu te openen. Draai aan **[Tune/Select]** om de volgende eigenschappen te kunnen selecteren:

- Full scan: Automatisch volledig kanalen zoeken/scannen naar DAB-zenders. Eenmaal voltooid, begint het apparaat automatisch de eerste gevonden zender af te spelen.
- Manual tune: Maakt handmatig afstemmen op een DAB-zender mogelijk. Draai aan **[Tune/Select]** om de frequentie te wijzigen. Druk op **[Tune/Select]** om te bevestigen en af te spelen.
- DRC (Dynamic Range Control): Wanneer u in een rumoerige omgeving naar muziek met een hoog dynamisch bereik luistert, kunt u het dynamische bereik van de audio comprimeren. Draai en druk op **[Tune/Select]** om uit/hoog/laag te kiezen.
- Prune: Hiermee kunt u ongeldige/niet-beschikbare zenders wissen. Draai en druk op **[Tune/Select]** om ja/nee te selecteren.
- System: Identiek aan het menu "Systeeminstellingen".

FM RADIO

Om de gewone FM-zenders te ontvangen, plaatst u de radio dicht bij het raam en steekt u de antenne zover mogelijk uit om de beste ontvangst te krijgen. Mogelijk moet u de richting van de antenne aanpassen om de ontvangst te verbeteren.

Druk op **[Mode]** om de FM-modus te kiezen. Houd **[Scan/Play]** ingedrukt en de radio begint te zoeken naar zenders. "Auto Scanning..." verschijnt op het display. Het apparaat zoekt automatisch naar beschikbare zenders. De radio begint de eerste gevonden zender automatisch af te spelen nadat het scannen is voltooid. Als de ontvangst niet naar wens is, gebruik dan de knop **[Tune/Select]** om de frequentie handmatig te verifiëren.

Voorkeuzezenders: Houd tijdens weergave in de FM-modus **[Preset/Repeat]** ingedrukt. Draai aan **[Tune/Select]** om de gewenste voorkeurszender (1-30) te kiezen en druk op **[Preset/Repeat]** om deze op te slaan. Het display toont "Preset # Stored".

Druk op **[Preset/Repeat]** om het geheugen op te roepen. Draai aan **[Tune/Select]** om de opgeslagen zender te kiezen die u wilt beluisteren. Druk op **[Tune/Select]** om te bevestigen.

Toon kanaalinformatie: Druk op **[Menu/Info]** om verschillende vormen van informatie weer te geven over de zender die wordt afgespeeld.

FM-instellingen:

Houd in de FM-modus **[Menu/Info]** ingedrukt om het instellingenmenu te openen. Draai aan **[Tune/Select]** om de volgende eigenschappen te kunnen kiezen:

- Auto scan: Initieert een automatische scan voor zenders.
- Scan setting: Maakt het mogelijk te kiezen tussen een scan voor alle zenders, of alleen voor sterke zenders.
- Audio setting: Maakt het mogelijk te kiezen tussen stereo- of monoweergave.
- System: Identiek aan het menu "Systeeminstellingen".

PLATENSPELER

- Druk op **[Mode]** om de turntable-modus te kiezen.
- Plaats de plaat op de draaitafel. Plaats indien nodig ook de 45rpm adapter op de platenspeler.
- Kies de gewenste afspeelsnelheid met de snelheidskeuzeschakelaar (33-, 45- of 78rpm).
- Zet het apparaat aan.
- Zorg ervoor dat een eventuele beschermkap van de naald is verwijderd.
- Ontgrendel de toonarm door de toonarmklem los te maken.
- Breng de arm omhoog met behulp van de toonarmhendel.
- Plaats de naald verticaal over het eerste spoor van de plaat, de draaitafel begint automatisch te draaien.
- Laat de naald langzaam zakken op de plaat, door de toonarm hendel te gebruiken, om af te spelen.
- Wanneer een plaat het einde bereikt, zal de draaitafel automatisch stoppen als de auto-stop schakelaar op ON staat. Als de schakelaar in de uit-stand staat, zal hij blijven draaien totdat de schakelaar in de ON stand gezet wordt.
 - * Sommige vinylplaten stoppen voor het einde of stoppen niet wanneer het einde is bereikt. Stel in dit geval Auto-stop in op OFF.
- Til de toonarm op en zet hem op de steun wanneer u klaar bent, altijd met behulp van de toonarmhendel.
- Vergrendel de toonarm door de toonarmklem te sluiten.
- Bevestig de beschermkap voor de naald opnieuw.
- Schakel de stroom uit.

BT AF SPELEN

Voordat transmissie tussen uw BT-apparaat en de radio mogelijk is, moeten beide apparaten gekoppeld worden. Dit proces wordt "pairing" genoemd. De radio dient als ontvanger, om de muziekstroom te ontvangen die op de radio moet worden afgespeeld. Als u al eerder met een BT-apparaat hebt gekoppeld, wordt deze verbinding automatisch hersteld wanneer beide apparaten binnen bereik zijn en de BT-bediening op de radio is geselecteerd. "Koppelen" hoeft niet te worden herhaald. Deze functie moet mogelijk wel geactiveerd worden op uw BT-apparaat.

- Druk op **[Mode]** totdat "BT" op het display verschijnt.
- Zet BT-streaming op uw apparaat aan. Het apparaat zal scannen naar koppelbare BT-apparaten in het ontvangstbereik.
- Selecteer "Audizio Tulsa" in de lijst met gevonden apparaten.
- Start de weergave op uw BT-apparaat. Het afspelen vindt nu plaats via de luidsprekers van de radio.

AUX IN

U kunt luisteren naar de muziek die is opgeslagen in een ander audioapparaat of smartphone op de radio, via de aansluiting op de 3,5 mm aux-in aansluiting aan de voorzijde. Gebruik de kabel met beide uiteinden in de 3,5 mm-pen, het ene uiteinde aan de aux-ingang op de radio, het andere uiteinde aan de oortelefoonaansluiting op het audioapparaat of als deze een line out-aansluiting heeft. Druk op **[Mode]** en selecteer de AUX-modus, druk op **[Tune/Select]** om te bevestigen. Speel muziek af op het aangesloten apparaat, het geluid zal uit de radio komen.

USB/SD

Afspelen: Plaats uw USB-station of SD-kaart in de betreffende sleuf. Op het display verschijnt "Please wait" en vervolgens "USB" of "TF", afhankelijk van de gekozen methode. Het apparaat begint automatisch de bestanden af te spelen. Draai aan **[Tune/Select]** om het vorige/volgende nummer te kiezen. Druk op **[Scan/Play]** om de weergave te (her)starten/pauzeren. Druk op **[Preset/Repeat]** om een herhaalmodus te kiezen (One-All-Random).

Opnemen:

- Plaats uw USB-stick of SD(TF)-kaart in de betreffende sleuf.
- Druk op **[Mode]** om de muziekbron te kiezen die u wilt opnemen.
- Druk op **[Record]** totdat "REC" op het display begint te knipperen. Het apparaat gaat nu opnemen.
- Om de opname te stoppen, drukt u op **[Record]** totdat "REC" van het display verdwijnt.
- Na de opname drukt u op **[Playback]** om de opgenomen bestanden van USB of SD af te spelen.

ALARM INSTELLEN

Om wekker 1 of 2 in te stellen of te veranderen, houdt u **[Alarm]** ingedrukt. Selecteer "Alarm 1 info" of "Alarm 2 info" en druk op **[Tune/Select]**.

De wekkerinstelling vraagt u om de volgende parameters. Selecteer een waarde voor elke parameter door aan **[Tune/Select]** te draaien en druk op **[Tune/Select]** om te bevestigen en naar de volgende parameter te gaan.

- Alarm: Kies om het alarm aan of uit te zetten.
- Frequency: Dagelijks, Weekdagen, Weekenden, Eenmalig.
- Wake up time: Stel de uren- en minutenwaarden in. Kies een waarde voor elke parameter door aan de knop **[Tune/Select]** te draaien en druk op **[Tune/Select]** om te bevestigen en naar de volgende parameter te gaan.
- Source: Buzzer, DAB of FM.
Indien "SOURCE" hetzelfde is als de huidige afspeelmodus, wordt de buzzer gebruikt.
- Duration: Kies tussen 15-, 30-, 45-, 60-, 90- en 120 minuten.
- Volume: Draai aan **[Tune/Select]** om het gewenste alarmvolume te kiezen.

Snooze: Druk op **[Tune/Select]** om te snoozen nadat het alarm is afgegaan. De volgende wekker zal dan 5 minuten later afgaan. Druk op **[Alarm]**, **[Mode]** of **[Power]** als de wekker afgaat om hem uit te zetten.

SYSTEEMINSTELLINGEN

Houd **[Menu/Info]** ingedrukt om het systeeminstellingenmenu op te roepen. Draai aan **[Tune/Select]** om "System" te selecteren en druk op **[Tune/Select]** om te bevestigen en naar het submenu te gaan.

Draai aan **[Tune/Select]** om de volgende opties in het submenu te selecteren en druk op **[Tune/Select]** om te bevestigen.

Opmerking: Druk tijdens het instellen op **[Menu/Info]** om terug te keren naar het vorige menu en draai aan **[Tune/Select]** om door de verschillende instellings-submenu's te gaan. Druk op **[Tune/Select]** om de huidige instelling te bevestigen.

Time

Set time and date: Press **[Tune/Select]** to cycle through hour, minute, day, month and year properties. Rotate **[Tune/Select]** to adjust and press **[Tune/Select]** to confirm the update value.

Auto update: Initiates automatic time and date updates (options: update from any, update from DAB, update from FM, No update).

Set 12/24 hour format: Choose between 24-hour or 12-hour settings.

Set date format: Choose between DD-MM-YYYY or MM-DD-YYYY.

Stel de tijd en datum in: Druk op **[Tune/Select]** om door de eigenschappen van uur, minuut, dag, maand en jaar te bladeren.

Draai aan **[Tune/Select]** om aan te passen en druk op **[Tune/Select]** om de update waarde te bevestigen.

Auto update: Initieert automatische tijd en datum updates (opties: update from any, update from DAB, update from FM, No update).

Stel 12-/24-uursnotering in: Kies tussen 24-uurs of 12-uurs instellingen.

Datumnotering instellen: Kies tussen DD-MM-YYYY of MM-DD-YYYY.

Language

Kies de gewenste systeemtaal.

Backlight

Stel de waarde van de achtergrondverlichting in. Kies tussen high, medium en low.

Sleep timer

Het apparaat gaat na de ingestelde verstreken tijd automatisch in stand-by.

Kies tussen sleep off, 15-, 30-, 60-, 90- en 120 minuten.

Equalizer

Verander de geluidsinstellingen tussen verschillende vooraf ingestelde geluidsprofielen.

Kies tussen normal, jazz, popular, classic en rock.

Factory reset

Opmerking: Het starten van een fabrieksreset verwijdert alle voorkeuzezenders, opgeslagen zenders, alarmen en zet alle andere opties terug naar de standaardinstellingen.

Draai en druk op **[Tune/Select]** om "Yes" te selecteren. Het apparaat wordt teruggezet naar de fabrieksinstellingen. Selecteer 'No' als u de fabrieksinstellingen niet wilt herstellen.

Software version

Ga naar dit submenu om de momenteel geïnstalleerde softwareversie van het apparaat te zien.

DEUTSCH

Vielen Dank für den Kauf dieses Audiziosgeräts. Nehmen Sie sich einen Augenblick Zeit, um diese Anleitung sorgfältig durchzulesen, damit Sie die Möglichkeiten, die unser Produkt bietet, sofort voll ausnutzen können.

Lesen Sie erst die Anleitung vollständig vor der ersten Inbetriebnahme durch. Befolgen Sie die Anweisung, da sonst jeglicher Garantieanspruch verfällt. Treffen Sie stets alle Sicherheitsvorkehrungen um Feuer und/oder Stromschlag zu vermeiden. Reparaturen dürfen nur von qualifiziertem Fachpersonal ausgeführt werden, um Stromschlag zu vermeiden. Bewahren Sie diese Anleitung für spätere Bezugnahme auf.

- Bewahren Sie die Verpackung auf, um das Gerät im Bedarfsfall sicher transportieren zu können.
 - Bevor das Gerät in Betrieb genommen wird, muss es erst von einem Fachmann überprüft werden. Bei der ersten Benutzung kann etwas Geruch auftreten. Das ist normal und verschwindet nach einer Weile
 - Das Gerät enthält unter Spannung stehende Teile. Daher NIEMALS das Gehäuse öffnen.
 - Keine Metallgegenstände oder Flüssigkeiten ins Gerät dringen lassen. Sie können zu Stromschlag und Defekten führen.
 - Gerät nicht in der Nähe von Wärmequellen wie Heizkörpern aufstellen. Nicht auf eine vibrierende Oberfläche stellen. Niemals die Belüftungsschlitze abdecken.
 - Das Gerät ist nicht für Dauerbetrieb geeignet.
 - Gehen Sie vorsichtig mit dem Netzkabel um und beschädigen Sie es nicht. Eine beschädigte Netzschnur kann zu Stromschlag und Defekten führen.
 - Wenn Sie das Gerät vom Netz trennen, immer am Stecker ziehen, niemals an der Schnur.
 - Um Feuer und Stromschlag zu vermeiden, das Gerät vor Regen und Feuchtigkeit schützen.
 - Den Stecker nie mit nassen Händen in eine Netzsteckdose stecken oder abziehen.
 - Wenn sowohl der Stecker und/oder die Netzschnur bzw. der Kabeleintritt ins Gerät beschädigt sind, müssen sie von einem Fachmann repariert werden.
 - Wenn das Gerät so beschädigt ist, dass Innenteile sichtbar sind, darf der Stecker NICHT in eine Steckdose gesteckt werden und das Gerät darf NICHT eingeschaltet werden. Wenden Sie sich in dem Fall an Ihren Fachhändler. Das Gerät darf nicht an einen Dimmer angeschlossen werden.
 - Reparaturen dürfen nur von einem Fachmann oder Sachverständigen ausgeführt werden.
 - Das Gerät nur an eine geerdete 10-16A Netzsteckdose mit 220-240V AC/50Hz Spannung anschließen.
 - Bei Gewitter oder längerem Nichtgebrauch den Netzstecker abziehen. Die Regel gilt: Bei Nichtgebrauch Netzstecker abziehen.
 - Wenn das Gerät längere Zeit nicht benutzt wurde, kann sich Kondenswasser gebildet haben. Lassen Sie das Gerät erst auf Zimmertemperatur kommen, bevor Sie es einschalten.
- Das Gerät nicht in feuchten Räumen oder im Freien benutzen.
 - Um Unfällen in der Öffentlichkeit vorzubeugen, müssen die geltenden Richtlinien beachtet und die Anweisungen/Warnungen befolgt werden.
 - Niemals das Gerät kurz hintereinander ein- und ausschalten. Dadurch verkürzt sich die Lebensdauer erheblich.
 - Das Gerät außerhalb der Reichweite von Kindern halten. Das Gerät niemals unbeaufsichtigt lassen.
 - Die Regler nicht mit Reinigungssprays reinigen. Diese hinterlassen Rückstände, die zu Staub- und Fettansammlungen führen. Bei Störungen immer einen Fachmann um Rat fragen.
 - Das Gerät nur mit sauberen Händen bedienen.
 - Das Gerät nicht mit Gewalt bedienen.
 - Dieses Gerät kann dazu führen Magnetfeld. Halten Sie das Gerät mindestens 60 cm vom Computer oder Fernseher.
 - Wenn dieses Gerät eine Blei-Säure-Batterie hat, soll dies jede 3 Monate zumindest wieder aufgeladen werden, wenn es nicht für eine längere Zeit nicht benutzt wird, sonst ist es möglich, dass die Batterie dauerhaft beschädigt.
 - Fachmann um Rat fragen, bevor Sie es wieder einschalten.
 - Keine chemischen Reinigungsmittel benutzen, die den Lack beschädigen. Das Gerät nur mit einem trockenen Tuch abwischen.
 - Nicht in der Nähe von elektronischen Geräten benutzen, die Brummstörungen verursachen können.
 - Bei Reparaturen nur die Original-Ersatzteile verwenden, um starke Schäden und/oder gefährliche Strahlungen zu vermeiden.
 - Bevor Sie das Netz- und/oder Anschlusskabel abziehen, erst das Gerät ausschalten. Netz- und Anschlusskabel abziehen, bevor Sie das Gerät umstellen.
 - Sorgen Sie dafür, dass das Netzkabel nicht beschädigt werden kann, wenn Menschen darüber laufen. Das Netzkabel vor jedem Einsatz auf Brüche/Schadstellen überprüfen.
 - In Deutschland beträgt die Netzspannung 220-240V AC / 50Hz. Wenn Sie das Gerät auf Reisen mitnehmen, prüfen Sie, ob die örtliche Netzspannung den Anforderungen des Geräts entspricht.



Dieses Zeichen weist den Benutzer darauf hin, dass lebensgefährliche Spannungen im Gerät anliegen, die bei Berührung einen Stromschlag verursachen.



Dieses Zeichen lenkt die Aufmerksamkeit des Benutzers auf wichtige Hinweise in der Anleitung hin, die unbedingt eingehalten werden müssen.

HINWEIS: Um einen einwandfreien Betrieb zu gewährleisten, muss die Raumtemperatur zwischen 5° und 35°C liegen.



Tronios BV Registrierungsnummer : DE51181017 (ElektroG).

Dieses Produkt darf am Ende seiner Lebensdauer nicht über den normalen Haushaltsabfall entsorgt werden, sondern muss an einem Sammelpunkt für das Recycling abgegeben werden. Hiermit leisten Sie einen wichtigen Beitrag zum Schutze unserer Umwelt.

Tronios BV Registrierungsnummer : 21003000 (BatterieG).

Lithiumbatterien und Akkupacks sollten nur im entladenen Zustand in die Altbatteriesammelgefäße bei Handel und bei öffentlich-rechtlichen Entsorgungsträgern gegeben werden. Bei nicht vollständig entladenen Batterien Vorsorge gegen Kurzschluss treffen durch Isolieren der Pole mit Klebestreifen. Der Endnutzer ist zur Rückgabe von Altbatterien gesetzlich verpflichtet.

Reparieren Sie das Gerät niemals selbst und nehmen Sie niemals eigenmächtig Veränderungen am Gerät vor. Sie verlieren dadurch den Garantieanspruch. Der Garantieanspruch verfällt ebenfalls bei Unfällen und Schäden in jeglicher Form, die durch unsachgemäßen Gebrauch und Nichtbeachtung der Warnungen und Sicherheitshinweise in dieser Anleitung entstanden sind. Audizio ist in keinem Fall verantwortlich für persönliche Schäden in Folge von Nichtbeachtung der Sicherheitsvorschriften und Warnungen. Dies gilt auch für Folgeschäden jeglicher Form.

AUSPACKEN

Packen Sie das Gerät sofort nach Empfang aus und prüfen Sie den Inhalt. Wenn Teile fehlen oder beschädigt sind, benachrichtigen Sie sofort den Spediteur und bewahren Sie die Verpackung auf. Falls ein Gerät ins Werk zurückgeschickt werden muss, ist es wichtig, dass es in der Originalverpackung versandt wird. Das Gerät darf nicht in Betrieb genommen werden, nachdem es von einem kalten in einen warmen Raum gebracht wurde. Das dabei entstehende Kondenswasser kann unter Umständen Ihr Gerät zerstören. Lassen Sie das Gerät solange uneingeschaltet, bis es Zimmertemperatur erreicht hat!

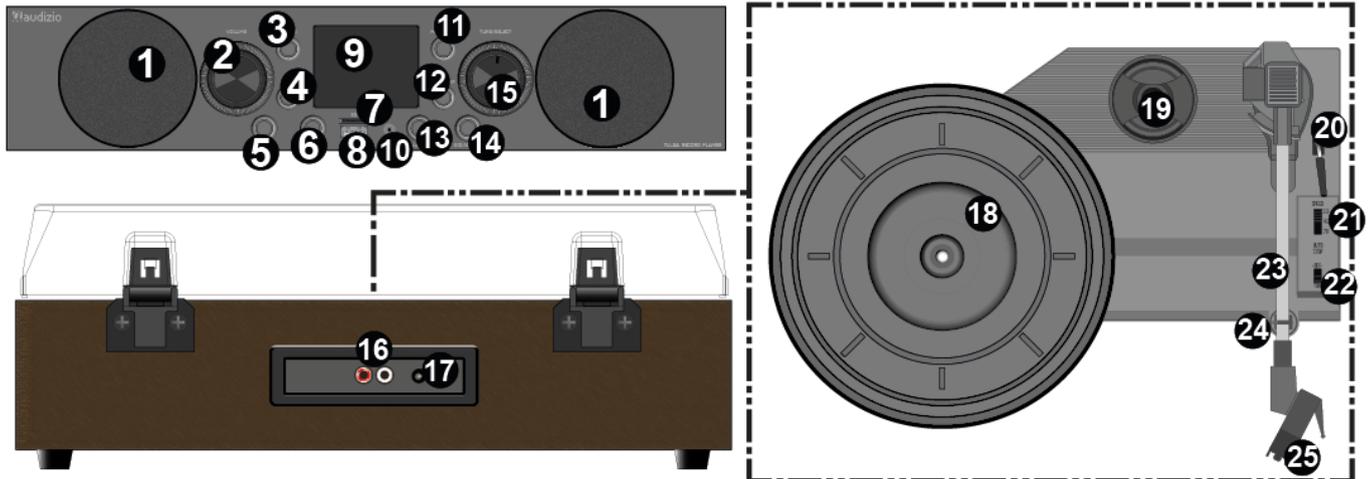
NETZANSCHLUSS

Die benötigte Versorgungsspannung steht auf dem Typenschild auf der Rückseite des Geräts. Die angegebenen Stromwerte entsprechen einem Durchschnittswert bei normalem Betrieb. Alle Geräte müssen direkt ans Netz angeschlossen werden und dürfen nicht über Dimmerpacks geschaltet werden. Bevor Sie eine Spannung anlegen, prüfen Sie, ob der Wert der zulässigen Spannung entspricht.



Verbinden Sie immer das Gerät an einem geschützten Schaltkreis (Leistungsschalter oder Sicherung). Stellen Sie sicher, das Gerät ist elektrisch geerdet, um das Risiko eines Stromschlags oder Feuer zu vermeiden.

BEDIENUNG



1. **Lautsprecher**
2. **Lautstärkereglер**
Drehen, um die Lautstärke einzustellen
3. **Power**
Kurz drücken, um das Gerät ein zu schalten oder in den/aus dem Standby-Modus zu bringen
Langes Drücken schaltet das Gerät aus
4. **Mode**
Drücken, um den Modus zu ändern
5. **Playback**
Drücken, um die aufgenommene Datei im Aufnahmemodus abzuspielen
6. **Record**
Dient zur Aufnahme der Plattenspieler/AUX/FM/DAB-Wiedergabe auf SD oder USB (wenn eingesteckt)
7. **SD-Kartensteckplatz**
8. **USB-Steckplatz**
9. **LCD-Anzeige**
10. **AUX-Eingangsbuchse 3,5 mm**
11. **Menu/Info**
Drücken während der FM- oder DAB-Wiedergabe, um verschiedene Informationsparameter anzuzeigen
Gedrückt halten, um das Menü (Einstellungen) aufzurufen
12. **Preset/Repeat**
Drücken während der UKW- oder DAB-Wiedergabe, um die Voreinstellungsliste aufzurufen
Halten Sie die Taste während der FM- oder DAB-Wiedergabe gedrückt, um die Senderspeicherung zu aktivieren
13. **Alarm**
Halten Sie die Taste gedrückt, um das Menü für die Alarmeinrichtung aufzurufen
14. **Scan/Play**
Drücken, um die Stummschaltung des Geräts (aufzuheben)
Im USB-/SD-Modus drücken, um die Wiedergabe (erneut) zu starten/anzuhalten
Drücken und halten Sie die Taste im FM-/DAB-Modus, um automatisch nach Sendern zu suchen
15. **Tune/Select**
Drehen zum Abstimmen oder Navigieren
Drücken zum Auswählen
16. **Line ausgang**
RCA-Line-Ausgang
17. **DC 5V Eingang**
18. **Drehscheibe**

19. 45rpm-Adapter

Mit diesem Adapter können Sie 45RPM-Schallplatten abspielen

20. Tonarmhebel

Zum Anheben/Absenken des Tonarms

21. 33 / 45 / 78 rpm Schalter

Zum Einstellen der Drehscheibengeschwindigkeit

22. Autostop EIN/AUS

Dieser Schalter schaltet die automatische Stoppfunktion ein/aus. Wenn die automatische Abschaltung aktiviert ist, beginnt sich die Plattform zu drehen, sobald der Tonarm über die Schallplatte gelegt wird, und hört auf, sich zu drehen, wenn sie das Ende der Schallplatte erreicht. Manche Schallplatten hören vor dem Ende auf oder halten nicht an, wenn das Ende erreicht ist. Setzen Sie in diesem Fall Auto-Stopp auf OFF

23. Tonarm

24. Tonarm Klammer

Diese Armklemme sichert den Tonarm, wenn er ruht oder nicht benutzt wird. Die Armklemme ist so konstruiert, dass sie im entriegelten Zustand in der oberen Position bleibt

25. Tonabnehmerpatrone

Muster mit der Nadel

ERSTE SCHRITTE

- Nehmen Sie das Radio aus der Verpackung.
- Schließen Sie den Netzadapter an oder legen Sie die entsprechenden Batterien ein und drücken Sie **[Power]**.

Hinweis: Verwenden Sie nur den mit dem Funkgerät gelieferten Netzadapter. Der Anschluss eines Netzteils mit einem anderen Nennwert kann zu dauerhaften Schäden am Funkgerät führen und ist möglicherweise gefährlich.

DAB+

Wenn in Ihrer Region Digital Audio Broadcasting (DAB) verfügbar ist, kann das Radio auch DAB-Sender empfangen. Das Radio unterstützt sowohl DAB als auch DAB+. Stellen Sie das Radio in der Nähe des Fensters auf und fahren Sie die Antenne so weit wie möglich aus, um einen optimalen Empfang zu gewährleisten. Manchmal müssen Sie die Richtung der Antenne anpassen, um den Empfang zu verbessern. Drücken Sie **[Mode]**, um den DAB-Modus auszuwählen. Drücken Sie **[Tune/Select]** zur Bestätigung und zum Aufrufen des DAB-Modus.

Automatischer Suchlauf: Drücken und halten Sie **[Scan/Play]**. Im Display wird "Scanning..." angezeigt, das Gerät sucht automatisch nach verfügbaren Sendern. Das Radio beginnt nach Abschluss des Suchlaufs automatisch mit der Wiedergabe des ersten gefundenen Senders.

Drehen Sie den **[Tune/Select]**-Knopf, um die Senderliste zu öffnen und einen anderen DAB-Sender auszuwählen. Drücken Sie zur Bestätigung **[Tune/Select]**.

Sender voreinstellen: Während der Wiedergabe im DAB-Modus **[Preset/Repeat]** drücken und gedrückt halten. Drehen Sie **[Tune/Select]**, um den gewünschten Speicherplatz (1-30) auszuwählen, und drücken Sie **[Preset/Repeat]** zum Speichern. Im Display wird "Preset # Stored" angezeigt.

Drücken Sie **[Preset/Repeat]**, um den Speicher abzurufen. Drehen Sie **[Tune/Select]**, um den gespeicherten Sender zu wählen, den Sie hören möchten. Drücken Sie zur Bestätigung **[Tune/Select]**.

Senderinformationen anzeigen: Drücken Sie **[Menu/Info]**, um verschiedene Informationen über den gerade gespielten Sender anzuzeigen.

DAB-Einstellungen:

Halten Sie im DAB-Modus **[Menu/Info]** gedrückt, um das Einstellungsmenü aufzurufen. Drehen Sie **[Tune/Select]**, um die folgenden Eigenschaften auswählen zu können:

- Full scan: Automatischer vollständiger Sendersuchlauf/Scan für DAB-Sender. Sobald die Suche abgeschlossen ist, beginnt das Gerät automatisch mit der Wiedergabe des ersten gefundenen Senders.
- Manual tune: Ermöglicht die manuelle Abstimmung auf einen DAB-Sender. Drehen Sie **[Tune/Select]**, um die Frequenz zu ändern. Drücken Sie **[Tune/Select]** zur Bestätigung und Wiedergabe.
- DRC (Dynamikbereichskontrolle): Wenn Sie Musik mit hohem Dynamikbereich in einer lauten Umgebung hören, können Sie den Audio-Dynamikbereich komprimieren. Drehen Sie und drücken Sie **[Tune/Select]**, um off/high/low zu wählen.
- Prune: Ermöglicht das Löschen ungültiger/unverfügbarer Sender. Drehen Sie und drücken Sie **[Tune/Select]**, um Yes/No auszuwählen.
- System: Identisch mit dem Menü "Systemeinstellungen".

UKW (FM) RADIO

Um reguläre UKW-Sender zu empfangen, stellen Sie das Radio in der Nähe des Fensters auf und fahren Sie die Antenne so weit wie möglich aus, um den besten Empfang zu erhalten. Möglicherweise müssen Sie die Richtung der Antenne anpassen, um den Empfang zu verbessern.

Drücken Sie **[Mode]**, um den UKW (FM)-Modus auszuwählen. Halten Sie **[Scan/Play]** gedrückt, und das Radio beginnt mit der Suche nach Sendern. Auf dem Display wird "Auto Scanning..." angezeigt. Das Gerät sucht automatisch nach verfügbaren Sendern. Das Radio beginnt nach Abschluss des Suchlaufs automatisch mit der Wiedergabe des ersten gefundenen Senders. Wenn der Empfang nicht wie gewünscht ist, verwenden Sie den **[Tune/Select]**-Knopf zur manuellen Feinabstimmung der Frequenz.

Sender voreinstellen: Während der Wiedergabe im UKW-Modus [**Preset/Repeat**] drücken und gedrückt halten. Drehen Sie [**Tune/Select**], um den gewünschten Speicherplatz (1-30) auszuwählen, und drücken Sie [**Preset/Repeat**] zum Speichern. Im Display wird "Preset # Stored" angezeigt.

Drücken Sie [**Preset/Repeat**], um den Speicher abzurufen. Drehen Sie [**Tune/Select**], um den gespeicherten Sender zu wählen, den Sie hören möchten. Drücken Sie zur Bestätigung [**Tune/Select**].

Senderinformationen anzeigen: Drücken Sie [**Menu/Info**], um verschiedene Informationen über den gerade gespielten Sender anzuzeigen.

UKW (FM)-Einstellungen:

Halten Sie im UKW (FM)-Modus [**Menu/Info**] gedrückt, um das Einstellungsmenü aufzurufen. Drehen Sie [**Tune/Select**], um die folgenden Eigenschaften zu wählen:

- Auto scan: Startet einen automatischen Suchlauf nach Sendern.
- Scan setting: Ermöglicht die Auswahl zwischen einem Suchlauf für alle Sender oder nur für starke Sender.
- Audio setting: Ermöglicht die Auswahl zwischen erlaubter Stereo- oder erzwungener Monowiedergabe.
- System: Identisch mit dem Menü "Systemeinstellungen".

PLATTENSPIELER

- Drücken Sie [**Mode**], um den Plattenspielermodus zu wählen.
- Legen Sie die Schallplatte auf den Plattenteller. Setzen Sie bei Bedarf auch den 45rpm Adapter auf die Plattenspindel.
- Wählen Sie mit dem Geschwindigkeitsschalter die gewünschte Abspielgeschwindigkeit (33-, 45- oder 78rpm).
- Schalten Sie das Gerät ein.
- Vergewissern Sie sich, dass alle Schutzabdeckungen von der Abtastnadel entfernt sind.
- Entriegeln Sie den Tonarm durch Lösen der Tonarmklammer.
- Heben Sie den Tonarm mit Hilfe des Tonarmhebels an.
- Setzen Sie die Abtastnadel senkrecht über die erste Spur der Schallplatte, der Plattenteller beginnt sich automatisch zu drehen.
- Senken Sie die Abtastnadel langsam auf die Schallplatte, indem Sie den Tonarmhebel zum Abspielen betätigen.
- Wenn eine Aufnahme zu Ende ist, hält der Plattenspieler automatisch an, wenn sich der Auto-Stopp-Schalter in der Position ON befindet. Befindet sich der Schalter in der Aus-Position, dreht er sich weiter, bis der Schalter in die Ein-Position gebracht wird.
- * Einige Schallplatten stoppen vor dem Ende oder halten nicht an, wenn das Ende erreicht ist. Stellen Sie in diesem Fall Auto-Stopp auf OFF.
- Heben Sie den Tonarm an und setzen Sie ihn auf die Ablage, wenn Sie fertig sind, indem Sie immer den Tonarmhebel benutzen.
- Verriegeln Sie den Tonarm, indem Sie die Tonarmklammer schließen.
- Bringen Sie die Abdeckung der Abtastnadel wieder an.
- Schalten Sie das Gerät aus.

BT WIEDERGABE

Bevor eine Übertragung zwischen Ihrem BT-Gerät und dem Funkgerät möglich ist, müssen beide Geräte gekoppelt werden. Dieser Vorgang wird als "Pairing" bezeichnet. Das Radio dient als Empfänger, um den Musikstrom für die Wiedergabe im Radio zu empfangen. Wenn Sie schon einmal mit einem BT-Gerät gekoppelt haben, wird diese Verbindung automatisch wiederhergestellt, wenn beide Geräte in Reichweite sind und der BT-Betrieb am Radio ausgewählt wurde. Das "Pairing" muss nicht wiederholt werden. Diese Funktion muss jedoch möglicherweise in Ihrem BT-Gerät aktiviert werden.

- Drücken Sie [**Mode**], bis "BT" auf dem Display angezeigt wird.
- Aktivieren Sie das BT-Streaming auf Ihrem Gerät. Das Gerät sucht nach koppelbaren BT-Geräten im Empfangsbereich.
- Wählen Sie "Audizio Tulsa" aus der Liste der gefundenen Geräte.
- Starten Sie die Wiedergabe auf Ihrem BT-Gerät. Die Wiedergabe erfolgt nun über die Lautsprecher des Radios.

AUX ANSCHLUSS

Über den Anschluss an die 3,5-mm-Aux-In auf der Vorderseite können Sie die in einem anderen Audiogerät oder Smartphone gespeicherte Musik über das Radio hören. Verwenden Sie das Kabel mit beiden Enden in 3,5-mm-Stift, ein Ende an die Aux-In-Buchse am Radio, das andere Ende an die Kopfhörerbuchse am Audiogerät oder wenn es eine Line-Out-Buchse hat.

Drücken Sie [**Mode**] und wählen Sie den AUX-Modus, drücken Sie [**Tune/Select**] zur Bestätigung und Bestätigung. Spielen Sie Musik auf dem angeschlossenen Gerät ab, der Ton wird vom Radio ausgegeben.

USB/SD

Wiedergabe: Stecken Sie Ihr USB-Laufwerk oder Ihre SD (TF)-Karte in den entsprechenden Steckplatz. Auf dem Display erscheint "Please wait", dann "USB" oder "TF", je nach gewählter Methode. Das Gerät beginnt automatisch mit der Wiedergabe der Dateien. Drehen Sie [**Tune/Select**], um den vorherigen/nächsten Titel zu wählen. Drücken Sie [**Scan/Play**], um die Wiedergabe (erneut) zu starten/anzuhalten. Drücken Sie [**Preset/Repeat**], um einen Wiederholungsmodus auszuwählen (One-All-Random).

Aufnehmen:

- Stecken Sie Ihr USB-Laufwerk oder Ihre SD(TF)-Karte in den entsprechenden Steckplatz.
- Drücken Sie [**Mode**], um die Musikquelle zu wählen, die Sie aufnehmen möchten.
- Drücken Sie [**Record**], bis "REC" auf dem Display zu blinken beginnt. Das Gerät nimmt nun auf.

- Um die Aufnahme zu beenden, drücken Sie **[Record]**, bis "REC" nicht mehr im Display erscheint.
- Drücken Sie nach der Aufnahme **[Playback]**, um die aufgenommenen Dateien von USB- oder SD-Karte abzuspielen.

ALARMEINSTELLUNG

Um Alarm 1 oder 2 einzustellen oder zu ändern, halten Sie **[Alarm]** gedrückt. Wählen Sie entweder "Alarm 1 Info" oder "Alarm 2 Info" und drücken Sie **[Tune/Select]**.

Bei der Alarmeinstellung werden Sie zur Eingabe der folgenden Parameter aufgefordert. Wählen Sie einen Wert für jeden Parameter, indem Sie den **[Tune/Select]**-Knopf drehen und **[Tune/Select]** drücken, um zu bestätigen und den nächsten Parameter aufzurufen.

- Alarm: Wählen Sie, ob der Alarm ein-/ausgeschaltet werden soll.
- Frequency: Täglich, wochentags, am Wochenende, einmalig.
- Wake up time: Stellen Sie die Stunden- und Minutenwerte ein. Wählen Sie einen Wert für jeden Parameter durch Drehen des **[Tune/Select]**-Knopfes und drücken Sie **[Tune/Select]**, um zu bestätigen und den nächsten Parameter aufzurufen.
- Source: Buzzer, DAB oder FM.

Wenn "SOURCE" mit dem aktuellen Wiedergabemodus übereinstimmt, wird der Buzzer verwendet.

- Duration: Wählen Sie zwischen 15-, 30-, 45-, 60-, 90- und 120 Minuten.
- Volume: Drehen Sie **[Tune/Select]**, um die gewünschte Alarmlautstärke auszuwählen.

Schlummern: Drücken Sie **[Tune/Select]**, um nach dem Ertönen des Alarms eine Schlummerfunktion zu aktivieren. Der nächste Alarm ertönt dann 5 Minuten später.

Drücken Sie **[Alarm]**, **[Mode]** oder **[Power]**, wenn der Alarm ertönt, um ihn auszuschalten.

SYSTEMEINSTELLUNGEN

Halten Sie **[Menu/Info]** gedrückt, um das Systemeinstellungsmenü aufzurufen. Drehen Sie **[Tune/Select]**, um "System" zu wählen, und drücken Sie **[Tune/Select]**, um zu bestätigen und das Untermenü aufzurufen.

Drehen Sie den **[Tune/Select]**-Knopf, um die folgenden Optionen im Untermenü auszuwählen, und drücken Sie **[Tune/Select]**, um zu bestätigen.

Hinweis: Drücken Sie während des Einstellvorgangs **[Menu/Info]**, um zum vorherigen Menü zurückzukehren, und drehen Sie **[Tune/Select]**, um die verschiedenen Untermenüs aufzurufen. Drücken Sie **[Tune/Select]**, um die aktuelle Einstellung zu bestätigen.

Time

Uhrzeit und Datum einstellen: Drücken Sie **[Tune/Select]**, um durch die Eigenschaften von Stunde, Minute, Tag, Monat und Jahr zu blättern. Drehen Sie **[Tune/Select]**, um die Einstellung zu ändern, und drücken Sie **[Tune/Select]**, um den Aktualisierungswert zu bestätigen.

Automatische Aktualisierung: Startet die automatische Aktualisierung von Uhrzeit und Datum (Optionen: Aktualisierung von einem beliebigen Sender, Aktualisierung von DAB, Aktualisierung von FM, Keine Aktualisierung).

12/24-Stunden-Format einstellen: Wählen Sie zwischen 24- und 12-Stunden-Einstellungen.

Einstellen des Datumsformats: Wählen Sie zwischen TT-MM-JJJJ oder MM-TT-JJJJ.

Language

Wählen Sie die bevorzugte Systemsprache.

Backlight

Stellen Sie den Wert für die Hintergrundbeleuchtung ein. Wählen Sie zwischen hoch, mittel und niedrig.

Sleep timer

Das Gerät schaltet nach der eingestellten Zeit automatisch in den Standby-Modus.

Wählen Sie zwischen Ausschalten, 15-, 30-, 60-, 90- und 120 Minuten.

Equalizer

Ändern Sie die Klangeinstellungen zwischen verschiedenen voreingestellten Klangprofilen.

Wählen Sie zwischen Normal, Jazz, Popular, Classic und Rock.

Zurücksetzen auf Werkseinstellungen

Hinweis: Durch das Zurücksetzen auf die Werkseinstellungen werden alle Voreinstellungen, gespeicherten Sender und Alarme gelöscht und alle anderen Optionen auf die Standardeinstellungen zurückgesetzt.

Drehen Sie und drücken Sie **[Tune/Select]**, um "Yes" auszuwählen. Das Gerät wird auf die Werkseinstellungen zurückgesetzt.

Wählen Sie "No", wenn Sie das Gerät nicht auf die Werkseinstellungen zurücksetzen möchten.

Software version

Rufen Sie dieses Untermenü auf, um die aktuell installierte Softwareversion des Geräts anzuzeigen.

Felicitaciones a la compra de este producto Audizio. Por favor lea atentamente este manual antes de usar el aparato para disfrutar al completo de sus prestaciones.

Seguir las instrucciones le permite no invalidar la garantía. Tome todas las precauciones para evitar que se produzca fuego o una descarga eléctrica. Las reparaciones solo deben llevarse a cabo por técnicos cualificados para evitar descargas eléctricas. Guarde el manual para futuras consultas.

sentirse cierto olor. Esto es normal y desaparece al poco tiempo.

- Este aparato contiene piezas que llevan voltaje. Por lo tanto NO abra la carcasa.
- No coloque objetos metálicos o vierta líquidos dentro del aparato. Podría producir descargas eléctricas y fallos en el funcionamiento.
- No coloque el aparato cerca de fuentes de calor tipo radiadores, etc. No coloque el aparato en superficies vibratorias. No tape los agujeros de ventilación.
- Este aparato no está preparado para un uso continuado.
- Tenga cuidado con el cable de alimentación y no lo dañe. Un daño o defecto en el cable de alimentación puede producir una descarga eléctrica o fallo en el funcionamiento.
- Cuando desconecte el aparato de la toma de corriente, siempre tire de la clavija, nunca del cable.
- No enchufe o desenchufe el aparato con las manos mojadas.
- Si la clavija y/o el cable de alimentación están dañados, necesitan reemplazarse por un técnico cualificado.
- Si el aparato está dañado de modo que puedan verse sus partes internas, NO conecte el aparato a la toma de corriente y NO lo encienda. Contacte con su distribuidor. NO conecte el aparato a un reostato o dimmer.
- Para evitar un fuego o peligro de descarga, no exponga el aparato a la lluvia y a la humedad.
- Todas las reparaciones deben llevarse a cabo exclusivamente por técnicos cualificados.
- Conecte el aparato a una toma de corriente con toma de tierra (220-240Vca/50Hz) protegida por un fusible de 10-16A.
- Durante una tormenta o si el aparato no va a usarse durante un periodo largo de tiempo, desconéctelo de la toma de corriente. La regla es: Desconéctelo si no lo va a usar.
- Si el aparato no se ha usado en mucho tiempo puede producirse condensación. Deje el aparato a temperatura ambiente antes de encenderlo. Nunca utilice el aparato en ambientes húmedos o en el exterior.
- Para prevenir accidentes en las empresas, debe seguir las directrices aplicables y seguir las instrucciones.
- No lo apague y encienda repetidamente. Esto acorta su tiempo de vida.
- Mantenga el aparato fuera del alcance de los niños. No deje el aparato sin vigilancia.
- No utilice sprays limpiadores para limpiar los interruptores. Los residuos de estos sprays producen depósitos de polvo y grasa. En caso de mal funcionamiento, siempre consulte a un profesional.
- No fuerce los controles.
- Si el aparato se ha caído, siempre haga que lo verifique un técnico cualificado antes de encenderlo otra vez.
- NO utilice productos químicos para limpiar el aparato. Dañan el barniz. Tan solo límpielo con un trapo seco.
- Manténgalo lejos de equipos electrónicos ya que pueden producir interferencias.
- Si este producto incorpora una batería recargable con base ácida, por favor recargue batería cada 3 meses si no va a usar la unidad por un tiempo prolongado. En caso contrario la batería podría dañarse.
- Solo utilice recambios originales para las reparaciones, de otro modo pueden producirse daños serios y/o radiaciones peligrosas.
- Apague el aparato antes de desconectarlo de la toma de corriente y/o de otros equipos. Desconecte todos los cables y conexiones antes de mover el aparato.
- Asegúrese de que el cable de alimentación no puede dañarse cuando la gente lo pise. Compruebe el cable de alimentación antes de cada uso por si hay daños o defectos.
- El voltaje de funcionamiento es 220-240Vca/50Hz. Compruebe que la toma de corriente coincide. Si tiene que viajar, asegúrese de que el voltaje del país es el adecuado para este aparato.
- Guarde el embalaje original para poder transportar el aparato en condiciones seguras.



Esta señal advierte al usuario de la presencia de alto voltaje en el interior de la carcasa y que es de la suficiente magnitud como para producir una descarga eléctrica.



Esta señal advierte al usuario de que el manual contiene instrucciones importantes que han de leerse y seguirse al pie de la letra.

NOTA: Para asegurarse de que el aparato funcione correctamente, debe usarse en ambientes a una temperatura de entre 5°C/41°F y 35°C/95°F.



Los productos electrónicos no pueden tirarse a la basura normal. Por favor lleve este producto a un centro de reciclaje. Pregunte a la autoridad local en caso de duda. Las especificaciones son generales. Los valores actuales pueden variar de una unidad a otra. Las especificaciones pueden variar sin previo aviso.

Nunca intente reparar usted mismo este equipo. Esta manipulación anulará la garantía. No realice cambios en la unidad. Esta manipulación anulará la garantía. Esta garantía no es aplicable en caso de accidente o daños ocasionados por uso indebido del aparato o mal uso del mismo. Audizio no se hace responsable de daños personales causados por el no seguimiento de las normas e instrucciones de este manual. Esto es aplicable también a los daños de cualquier tipo.

INSTRUCCIONES DE DESEMBALAJE

ATENCIÓN! Inmediatamente después de recibir un dispositivo, desempaqué cuidadosamente la caja de cartón, compruebe el contenido para asegurarse de que todas las partes están presentes, y se han recibido en buenas condiciones. Notifique inmediatamente al transportista y conserve el material de embalaje para la inspección por si aparecen daños causados por el transporte o el propio envase muestra signos de mal manejo. Guarde el paquete y todos los materiales de embalaje en el caso de que deba ser devuelto a la fábrica, es importante que el aparato sea devuelto en la caja de la fábrica y embalaje originales. Si el aparato ha estado expuesto a grandes cambios de temperatura (tras el transporte), no lo enchufe inmediatamente. La condensación de agua producida podría dañar su aparato. Deje el dispositivo apagado hasta que se haya alcanzado la temperatura ambiente.

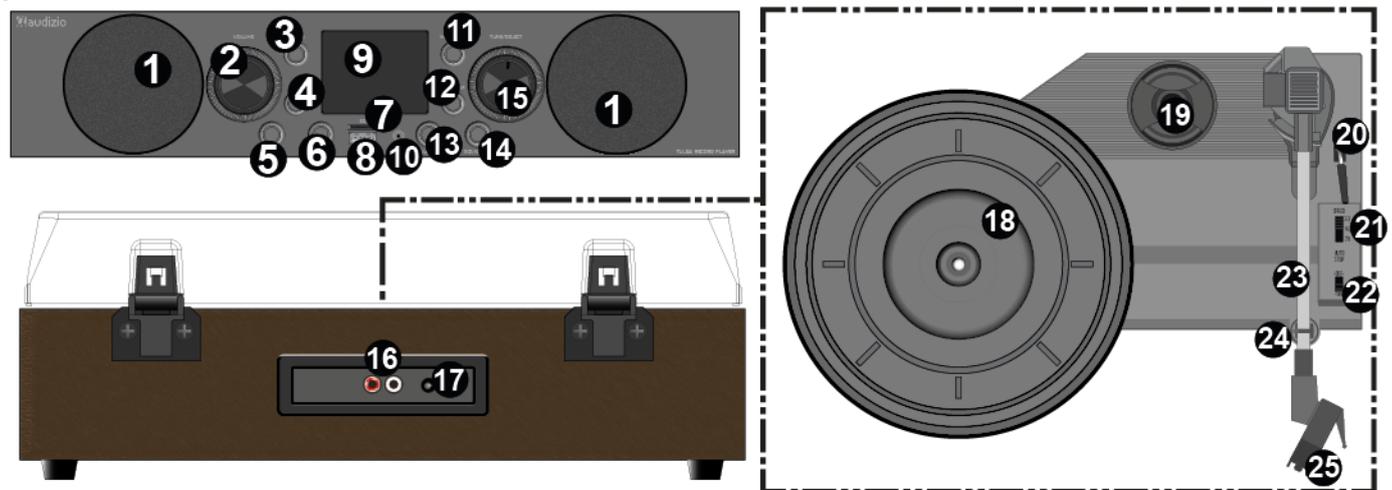
FUENTE DE ALIMENTACIÓN

En la etiqueta de la parte trasera del controlador se indica el tipo de fuente de alimentación que debe ser conectado. Compruebe que la tensión de red corresponda a esto, todos los otros voltajes a la especificada, puede causar efectos irreparable. El producto también debe estar conectado directamente a la red para ser utilizado. No en ninguna fuente de alimentación o dimmer ajustable.



Conecte siempre el producto a un circuito protegido (disyuntor o fusible). Asegúrese de que el producto tiene una toma de tierra adecuada para evitar el riesgo de electrocución o incendio.

OPERACIÓN



1. **Altavoz**
2. **Control de volumen**
Gire para ajustar el nivel de volumen
3. **Power**
Pulsación corta para encender/sacar el dispositivo del modo de espera
Mantenga pulsado para encender/apagar el dispositivo
4. **Mode**
Pulse para cambiar de modo
5. **Playback**
Pulse para reproducir el archivo grabado cuando esté en el modo de fuente grabada
6. **Record**
Se utiliza para grabar la reproducción giradiscos/AUX/FM/DAB en SD o USB (cuando está insertado)
7. **Ranura SD**
8. **Ranura USB**
9. **Pantalla LCD**
10. **Toma auxiliar de 3,5 mm**
11. **Menu/Info**
Pulse durante la reproducción FM o DAB para mostrar varios parámetros de información
Manténgalo pulsado para entrar en el menú (ajustes)
12. **Preset/Repeat**
Pulse durante la reproducción de FM o DAB para entrar en la lista de presintonías
Manténgalo pulsado durante la reproducción de FM o DAB para iniciar la memorización de presintonías de canal
13. **Alarm**
Pulse y mantenga pulsado para entrar en el menú de ajuste de la alarma
14. **Scan/Play**
Pulse para (des)silenciar el dispositivo
Pulse en modo USB-/SD para (re)iniciar/pausar la reproducción
Mantenga pulsado en modo FM- DAB para buscar emisoras automáticamente
15. **Tune/Select**
Gírelo para sintonizar o navegar
Pulse para seleccionar

16. Salida de línea

Salida de línea RCA

17. Entrada DC 5V

18. Plato

19. Adaptador de 45 rpm

Este adaptador permite reproducir discos de 45RPM

20. Palanca del brazo

Se utiliza para subir/bajar el brazo de tono

21. Interruptor 33 / 45 / 78 RPM

Sirve para ajustar las RPM del plato giratorio

22. Interruptor de parada automática ON/OFF

Este interruptor activa/desactiva la función de parada automática. Cuando la parada automática está activada, la plataforma empezará a girar en cuanto el brazo de tono se coloque sobre el disco y dejará de girar cuando haya llegado al final del disco. Algunos discos de vinilo se paran antes del final o no se paran cuando se llega al final. En este caso, ajuste Auto-stop en OFF

23. Brazo de tono

24. Clip de brazo

Este clip de brazo asegura el tóner mientras está en reposo o cuando no se utiliza. El clip del brazo ha sido diseñado para permanecer en la posición superior mientras está desbloqueado

25. Cartucho stylus/aguja

Cartucho que contiene el aguja

EMPEZANDO

- Saque la radio de la caja de embalaje.
- Enchufa el adaptador de corriente o inserta las pilas adecuadas y pulsa el botón de **[Power]**.

Precaución: Utilice únicamente el adaptador suministrado con la radio. Conectar una fuente de alimentación con una clasificación diferente puede causar daños permanentes a la radio y puede ser peligroso.

DAB +

Si hay radiodifusión de audio digital (DAB) en tu zona, la radio también puede captar emisoras DAB. La radio es compatible con DAB y DAB+. Coloque la radio cerca de la ventana y extienda la antena lo máximo posible para obtener la mejor recepción. A veces puede ser necesario ajustar la dirección de la antena para mejorar la recepción. Pulse **[Mode]** para seleccionar el modo DAB. Pulse **[Tune/Select]** para confirmar y entrar en el modo DAB.

Auto scan: Mantenga pulsado **[Scan/Play]**. La pantalla mostrará "Scanning...", el dispositivo buscará automáticamente las emisoras disponibles. La radio comenzará a reproducir automáticamente la primera emisora encontrada tras completar la búsqueda.

Gire el mando **[Tune/Select]** para abrir la lista de emisoras y seleccione otra emisora DAB. Pulse **[Tune/Select]** para confirmar.

Presintonización de emisoras: Mientras reproduce en modo DAB, mantenga pulsado **[Preset/Repeat]**. Gire **[Tune/Select]** para seleccionar la ranura de presintonía deseada (1-30), pulse **[Preset/Repeat]** para almacenar. La pantalla mostrará "Preset # Stored".

Pulse **[Preset/Repeat]** para recuperar la memoria. Gire **[Tune/Select]** para seleccionar la emisora almacenada que desea escuchar. Pulse **[Tune/Select]** para confirmar.

Mostrar información del canal: Pulse **[Menú/Info]** para mostrar diversas formas de información sobre la emisora que se está reproduciendo.

Ajustes DAB:

Cuando esté en modo DAB, mantenga pulsado **[Menu/Info]** para entrar en el menú de ajustes. Gire **[Tune/Select]** para poder seleccionar las siguientes propiedades:

- Full scan: Búsqueda/escaneo automático de canales completos para emisoras DAB. Una vez completado, el dispositivo empezará a reproducir automáticamente la primera emisora encontrada.
- Sintonización manual: Permite sintonizar manualmente una emisora DAB. Gire **[Tune/Select]** para cambiar la frecuencia. Pulse **[Tune/Select]** para confirmar y reproducir.
- DRC (Control de Rango Dinámico): Cuando escuche música con un alto rango dinámico en un entorno ruidoso, puede comprimir el rango dinámico de audio. Gire y pulse **[Tune/Select]** para seleccionar off/high/low.
- Prune: Permite borrar emisoras no válidas/no disponibles. Gire y pulse **[Tune/Select]** para seleccionar yes/no.
- Sistema: Idéntico al menú "Ajustes del sistema".

RADIO FM

Para recibir las emisoras FM habituales (sin necesidad de conexión a Internet), coloca la radio cerca de la ventana y extiende la antena lo máximo posible para obtener la mejor recepción. Es posible que tenga que ajustar la dirección de la antena para mejorar la recepción.

Pulse **[Mode]** para seleccionar el modo FM. Mantenga pulsado **[Scan/Play]**, la radio comenzará a buscar emisoras. "Auto Scanning..." se mostrará en la pantalla. El aparato buscará automáticamente las emisoras disponibles. La radio comenzará a

reproducir automáticamente la primera emisora encontrada tras completar la búsqueda. Si la recepción no es la deseada, utilice el botón **[Tune/Select]** para ajustar manualmente la frecuencia.

Presintonización de emisoras: Mientras reproduce en modo FM, mantenga pulsado **[Preset/Repeat]**. Gire **[Tune/Select]** para seleccionar la ranura de presintonía deseada (1-30), pulse **[Preset/Repeat]** para almacenar. La pantalla mostrará "Preset # Stored".

Pulse **[Preset/Repeat]** para recuperar la memoria. Gire **[Tune/Select]** para seleccionar la emisora almacenada que desea escuchar. Pulse **[Tune/Select]** para confirmar.

Mostrar información del canal: Pulse **[Menú/Info]** para mostrar diversas formas de información sobre la emisora que se está reproduciendo.

Ajustes de FM:

En el modo FM, mantenga pulsado **[Menú/Info]** para entrar en el menú de ajustes. Gire **[Tune/Select]** para poder seleccionar las siguientes propiedades:

- Auto scan: Inicia una búsqueda automática de emisoras.
- Scan setting: Permite elegir entre una búsqueda de todas las emisoras o sólo de las emisoras con señal intensa.
- Audio setting: Permite elegir entre reproducción estéreo permitida o reproducción mono forzada.
- System: Idéntico al menú "Ajustes del sistema".

REPRODUCTOR DE DISCOS

- Pulse **[Mode]** para seleccionar el modo giradiscos.
- Coloque el disco en el plato giratorio. Si es necesario, coloque también el adaptador 45 rpm en el eje del disco.
- Seleccione la velocidad de reproducción deseada mediante el selector de velocidad (33-, 45- ó 78 rpm).
- Encienda el aparato.
- Asegúrese de haber retirado cualquier cubierta protectora de la aguja.
- Desbloquee el brazo fonocaptor soltando el clip del brazo fonocaptor.
- Levante el brazo con la palanca del brazo.
- Coloque la aguja verticalmente sobre la primera pista del disco, el giradiscos comenzará a girar automáticamente.
- Baje la aguja lentamente sobre el disco utilizando la palanca del brazo fonocaptor para reproducir.
Cuando un disco llega al final, el tocadiscos se detendrá automáticamente si el interruptor de parada automática está en la posición ON. Si el interruptor está en la posición de apagado, seguirá girando hasta que el interruptor se coloque en la posición de encendido.
* Algunos discos de vinilo se detienen antes del final o no se detienen cuando se llega al final. En este caso, ajuste Auto-stop en OFF.
- Levante el brazo fonocaptor y colóquelo en el soporte cuando haya terminado, utilizando siempre la palanca del brazo fonocaptor.
- Bloquee el brazo de tono cerrando el clip del brazo de tono.
- Vuelva a colocar la tapa de la aguja.
- Desconecte la alimentación.

REPRODUCCIÓN BT

Antes de que sea posible la transmisión entre su dispositivo BT y la radio, ambos dispositivos deben estar acoplados. Este proceso se llama "emparejamiento". La radio sirve de receptor, para recibir el flujo de música que se reproducirá en la radio. Si ya se ha acoplado a un dispositivo BT con anterioridad, esta conexión se restablecerá automáticamente cuando ambos dispositivos estén dentro del alcance y se haya seleccionado el funcionamiento BT en la radio. No es necesario repetir el "emparejamiento". Sin embargo, es posible que tenga que activar esta función en su dispositivo BT.

- Pulse **[Mode]** hasta que aparezca "BT" en la pantalla.
- Activa la transmisión BT en tu dispositivo. El dispositivo buscará dispositivos BT emparejables en el rango de recepción.
- Seleccione "Audizio Tulsa" en la lista de dispositivos encontrados.
- Inicie la reproducción en su dispositivo BT. La reproducción se realiza ahora emitiendo el sonido de la radio.

AUX IN (ENTRADA AUXILIAR)

Puedes escuchar la música almacenada en otro dispositivo de audio o teléfono inteligente a través de la radio, mediante la conexión a la toma de entrada auxiliar de 3,5 mm de la parte frontal. Utilice un cable con clavijas de 3,5 mm en ambos extremos, un extremo conectado a la toma de entrada auxiliar de la radio y el otro extremo conectado a la toma de auriculares del dispositivo de audio (o a la toma de salida de línea, si está disponible). Pulse **[Mode]** y seleccione el modo AUX, pulse **[Tune/Select]** para confirmar y entrar. Reproduzca música en el dispositivo conectado, el sonido se emitirá desde la radio.

USB/SD

Reproducción: Introduzca su unidad USB o tarjeta SD (TF) en la ranura correspondiente. En la pantalla aparecerá el mensaje "Please wait" y, a continuación, "USB" o "TF", según el método elegido. El aparato empezará a reproducir los archivos automáticamente. Gire **[Tune/Select]** para elegir la pista anterior/siguiente. Pulse **[Scan/Play]** para (re)iniciar/pausar la reproducción. Pulse **[Preset/Repeat]** para seleccionar un modo de repetición (Uno-Todo-Aleatorio).

Record:

- Insert your USB drive or SD(TF)-card in the corresponding slot.
- Press **[Mode]** to select the music source you want to record.
- Press **[Record]** until "REC" starts flashing on the display. The device will now record.
- To stop recording, press **[Record]** until "REC" disappears from the display.
- After recording, press **[Playback]** to play the recorded files from USB- or SD.

Graba:

- Inserte su unidad USB o tarjeta SD(TF) en la ranura correspondiente.
- Pulse **[Mode]** para seleccionar la fuente de música que desea grabar.
- Pulse **[Record]** hasta que "REC" empiece a parpadear en la pantalla. El aparato empezará a grabar.
- Para detener la grabación, pulse **[Record]** hasta que "REC" desaparezca de la pantalla.
- Después de grabar, pulse **[Playback]** para reproducir los archivos grabados desde USB o SD.

AJUSTE DE ALARMA

Para ajustar o cambiar la alarma 1 o 2, mantenga pulsado **[Alarm]**. Seleccione "Alarm 1 info" o "Alarm 2 info" y pulse **[Tune/Select]**.

La configuración de la alarma le solicita los siguientes parámetros. Seleccione un valor para cada parámetro girando el mando **[Tune/Select]** y pulse **[Tune/Select]** para confirmar y pasar al siguiente parámetro.

- Alarm: Activar/desactivar la alarma.
- Frequency: Diario, Entre semana, Fines de semana, Una vez.
- Wake up time: Ajuste los valores de hora y minutos. Seleccione un valor para cada parámetro girando el botón **[Tune/Select]** y pulse **[Tune/Select]** para confirmar y pasar al siguiente parámetro.
- Source: Buzzer, DAB o FM.
En caso de que "SOURCE" coincida con el modo de reproducción actual, se utilizará el zumbador.
- Duration: Elija entre 15-, 30-, 45-, 60-, 90- and 120 minutos.
- Volume: Gire **[Tune/Select]** para seleccionar el volumen de alarma deseado.

Snooze: Pulse **[Tune/Select]** para repetir la alarma cuando ésta haya empezado a sonar. La siguiente alarma sonará 5 minutos después. Pulse **[Alarm]**, **[Mode]** o **[Power]** cuando la alarma esté sonando para apagarla.

AJUSTES DEL SISTEMA

Mantenga pulsado **[Menu/Info]** para acceder al menú de configuración del sistema. Gire **[Tune/Select]** para seleccionar "System" y pulse **[Tune/Select]** para confirmar y entrar en el submenú.

Gire **[Tune/Select]** para seleccionar las siguientes opciones en el submenú y pulse **[Tune/Select]** para confirmar.

Nota: Durante el proceso de ajuste, pulse **[Menu/Info]** para volver al menú anterior, gire **[Tune/Select]** por los distintos submenús de ajuste. Pulse **[Tune/Select]** para confirmar el ajuste actual.

Time

Ajuste la hora y la fecha: Pulse **[Tune/Select]** para recorrer las propiedades de hora, minuto, día, mes y año. Gire **[Tune/Select]** para ajustar y pulse **[Tune/Select]** para confirmar el valor de actualización.

Actualización automática: Inicia la actualización automática de la hora y la fecha (opciones: update from any, update from DAB, update from FM, No update).

Establecer formato de 12/24 horas: Elija entre ajustes de 24 horas o de 12 horas.

Establecer formato de fecha: Elija entre DD-MM-AAAA o MM-DD-AAAA.

Language

Elija el idioma preferido del sistema.

Backlight

Configura el valor de la retroiluminación. Elija entre high, medium y low.

Sleep timer

El dispositivo pasará automáticamente al modo de espera una vez transcurrido el tiempo establecido.

Elige entre sleep off, 15-, 30-, 60-, 90- y 120 minutes.

Equalizer

Cambia los ajustes de sonido entre diferentes perfiles de sonido preestablecidos.

Elige entre normal, jazz, popular, classic y rock.

Factory reset

Nota: Al iniciar un restablecimiento de fábrica se eliminan todas las presintonías, emisoras almacenadas, alarmas y se restablecen todas las demás opciones a los ajustes predeterminados.

Gire y pulse **[Tune/Select]** para seleccionar "Yes". El dispositivo se restablecerá a los ajustes de fábrica. Seleccione "No" si no desea restablecer los ajustes de fábrica.

Software version

Acceda a este submenú para ver la versión de software instalada actualmente en el dispositivo.

FRANÇAIS

Nous vous remercions d'avoir acheté un produit Audizio. Veuillez lire la présente notice avant l'utilisation afin de pouvoir en profiter pleinement. Veuillez lire la notice avant toute utilisation. Respectez impérativement les instructions afin de continuer à bénéficier de la garantie. Prenez toutes les précautions nécessaires pour éviter tout incendie ou décharge électrique. Seul un technicien spécialisé peut effectuer les réparations. Nous vous conseillons de conserver la présente notice pour pouvoir vous y reporter ultérieurement.

- Avant d'utiliser l'appareil, prenez conseil auprès d'un spécialiste. Lors de la première mise sous tension, il est possible qu'une odeur soit perceptible. C'est normal, l'odeur disparaîtra peu de temps après.
- L'appareil contient des composants porteurs de tension. **N'OUVREZ JAMAIS** le boîtier.
- Ne placez pas des objets métalliques ou du liquide sur l'appareil, cela pourrait causer des décharges électriques et dysfonctionnements.
- Ne placez pas l'appareil à proximité de sources de chaleur, par exemple radiateur. Ne positionnez pas l'appareil sur une surface vibrante. N'obturez pas les ouïes de ventilation.
- L'appareil n'est pas conçu pour une utilisation en continu.
- Faites attention au cordon secteur, il ne doit pas être endommagé.
- Lorsque vous débranchez l'appareil de la prise secteur, tenez-le par la prise, ne tirez jamais sur le cordon.
- Ne branchez pas et ne débranchez pas l'appareil avec les mains mouillées.
- Seul un technicien spécialisé peut remplacer la fiche secteur et / ou le cordon secteur.
- Si l'appareil est endommagé et donc les éléments internes sont visibles, ne branchez pas l'appareil, **NE L'ALLUMEZ PAS**. Contactez votre revendeur. **NE BRANCHEZ PAS** l'appareil à un rhéostat ou un dimmer.
- Pour éviter tout risque d'incendie ou de décharge électrique, n'exposez pas l'appareil à la pluie ou à l'humidité.
- Seul un technicien habilité et spécialisé peut effectuer les réparations
- Branchez l'appareil à une prise secteur 220-240 Vac/50 Hz avec terre, avec un fusible 10-16 A.
- Pendant un orage ou en cas de non-utilisation prolongée de l'appareil, débranchez l'appareil du secteur.
- En cas de non-utilisation prolongée de l'appareil, de la condensation peut être créée. Avant de l'allumer, laissez l'appareil atteindre la température ambiante. Ne l'utilisez jamais dans des pièces humides ou en extérieur.
- Afin d'éviter tout accident en entreprise, vous devez respecter les conseils et instructions.
- N'allumez pas et n'éteignez pas l'appareil de manière répétée. Cela réduit sa durée de vie.
- Conservez l'appareil hors de la portée des enfants. Ne laissez pas l'appareil sans surveillance.
- N'utilisez pas d'aérosols pour nettoyer les interrupteurs. Les résidus créent des dépôts et de la graisse. En cas de dysfonctionnement, demandez conseil à un spécialiste.
- Ne forcez pas les réglages.
- L'appareil contient un haut-parleur pouvant engendrer des champs magnétiques. Tenez cet appareil à 60 cm au moins d'un téléviseur ou ordinateur.
- Si le produit comprend un accumulateur intégré plomb-acide, rechargez l'accumulateur tous les 3 mois en cas de non-utilisation prolongée de l'appareil. Sinon, l'accumulateur pourrait être endommagé de manière permanente.
- Si l'accumulateur est endommagé, remplacez-le par un accumulateur de même type et déposez l'ancien accumulateur dans un container de recyclage adapté.
- Si l'appareil est tombé, faites-le toujours vérifier par un technicien avant de le rallumer.
- Pour nettoyer l'appareil, n'utilisez pas de produits chimiques qui abîment le revêtement, utilisez uniquement un tissu sec.
- Tenez toujours l'appareil éloigné de tout équipement électrique pouvant causer des interférences.
- Pour toute réparation, il faut impérativement utiliser des pièces d'origine, sinon il y a risque de dommages graves et / ou de radiations dangereuses.
- Eteignez toujours l'appareil avant de le débrancher du secteur et de tout autre appareil. Débranchez tous les cordons avant de déplacer l'appareil.
- Assurez-vous que le cordon secteur n'est pas abîmé si des personnes viennent à marcher dessus. Avant toute utilisation, vérifiez son état.
- La tension d'alimentation est de 220-240Vac/50 Hz. Vérifiez la compatibilité. Si vous voyagez, vérifiez que la tension d'alimentation du pays est compatible avec l'appareil.
- Conservez l'emballage d'origine pour pouvoir transporter l'appareil en toute sécurité.



Ce symbole doit attirer l'attention de l'utilisateur sur les tensions élevées présentes dans le boîtier de l'appareil, pouvant engendrer une décharge électrique.



Ce symbole doit attirer l'attention de l'utilisateur sur des instructions importantes détaillées dans la notice, elles doivent être lues et respectées.

Cet appareil porte le symbole CE. Il est interdit d'effectuer toute modification sur l'appareil. La certification CE et la garantie deviendraient caduques !

NOTE: Pour un fonctionnement normal de l'appareil, il doit être utilisé en intérieur avec une plage de température maximale autorisée entre 5°C/41°F et 35°C/95°F.



Ne jetez pas les produits électriques dans la poubelle domestique. Déposez-les dans une décharge. Demandez conseil aux autorisés ou à votre revendeur. Données techniques réservées. Les valeurs actuelles peuvent varier d'un produit à l'autre. Tout droit de modification réservé sans notification préalable.

N'essayez pas de réparer l'appareil vous-même. Vous perdriez tout droit à la garantie. Ne faites aucune modification sur l'appareil. Vous perdriez tout droit à la garantie. La garantie deviendrait également caduque en cas d'accidents ou dommages causés par une utilisation inappropriée de l'appareil ou un non-respect des consignes présentes dans cette notice. Audizio ne pourrait être tenu responsable en cas de dommages matériels ou corporels causés par un non-respect des consignes de sécurité et avertissements. Cela est également valable pour tous les dommages quelle que soit la forme.

DEBALLAGE

ATTENTION ! Immédiatement après réception, vérifiez le contenu du carton et assurez-vous que tous les éléments sont bien présents et en bon état. Si besoin, faites les réserves nécessaires si le matériel ou les cartons sont endommagés. Si l'appareil doit être retourné, faites-le dans l'emballage d'origine. Si l'appareil a été exposé à des fluctuations importantes de températures (par exemple après le transport), ne l'allumez pas immédiatement. De la condensation peut survenir. Laissez l'appareil éteint le temps qu'il atteigne la température ambiante.

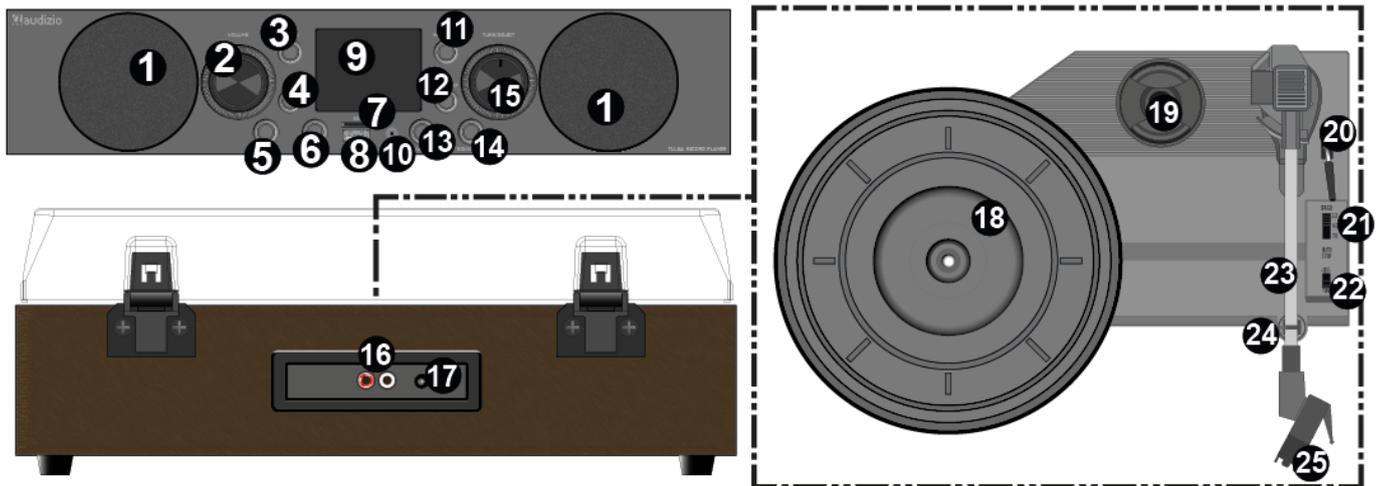
ALIMENTATION

Vous trouvez sur l'étiquette à l'arrière de l'appareil, le type d'alimentation à utiliser. Vérifiez que la tension d'alimentation corresponde à celle mentionnée. Toute autre alimentation peut endommager l'appareil. Reliez l'appareil au secteur, il est prêt à être utilisé. En aucun cas, vous ne devez utiliser de dimmer ou d'alimentation réglable.



Connectez toujours l'appareil à un circuit protégé (disjoncteur ou fusible). Assurez-vous que l'appareil soit correctement relié à la terre afin d'éviter tout risque d'électrocution ou d'incendie.

REGLAGES



- 1. Haut-parleur**
- 2. Volume**
Tournez pour régler le niveau du volume
- 3. Power**
Appuyez sur cette touche pour activer ou désactiver le mode veille
Appuyez longuement pour allumer/éteindre l'appareil
- 4. Mode**
Appuyez pour changer de mode
- 5. Playback**
Appuyez sur cette touche pour lire un fichier enregistré en mode source enregistrée
- 6. Record**
Utilisé pour enregistrer la lecture de la platine/AUX/FM/DAB sur SD ou USB (lorsqu'il est inséré)
- 7. Emplacement pour carte SD**
- 8. Emplacement USB**
- 9. Ecran LCD**
- 10. Entrée auxiliaire jack 3,5mm**
- 11. Menu/Info**
Appuyez pendant la lecture FM ou DAB pour afficher divers paramètres d'information
Maintenez cette touche enfoncée pour accéder au menu (paramètres)
- 12. Preset/Repeat**
Appuyez sur cette touche pendant la lecture d'un programme FM ou DAB pour accéder à la liste des présélections
Maintenez cette touche enfoncée pendant la lecture d'un programme FM ou DAB pour activer la sauvegarde des canaux pré-réglés
- 13. Alarm**
Appuyez et maintenez pour entrer dans le menu de réglage de l'alarme
- 14. Scan/Play**
Appuyez pour (dé)mettre en sourdine l'appareil
En mode USB/SD, appuyez sur cette touche pour (re)lancer ou interrompre la lecture
Maintenez cette touche enfoncée en mode FM-DAB pour rechercher automatiquement les stations
- 15. Tune/Select**
Tourner pour syntoniser ou naviguer
Appuyez pour sélectionner
- 16. Sortie ligne**
Sortie ligne RCA
- 17. Prise d'entrée DC 5V**
- 18. Plateau**
- 19. Bouton de verrouillage**
- 20. Prise d'entrée auxiliaire**
- 21. Prise d'entrée USB**
- 22. Prise d'entrée SD**
- 23. Prise d'entrée auxiliaire**
- 24. Prise d'entrée RCA**
- 25. Prise d'entrée DC 5V**

19. Adaptateur 45 tours

Cet adaptateur vous permet de lire des disques 45 tours

20. Levier du bras de lecture

Permet de lever/abaisser le bras de lecture

21. Commutateur 33 / 45 / 78 tours

Permet de régler le régime du plateau de la platine

22. Interrupteur d'arrêt automatique ON/OFF

Cet interrupteur permet d'activer ou de désactiver la fonction d'arrêt automatique. Lorsque l'arrêt automatique est activé, la plate-forme commence à tourner dès que le bras de lecture est placé sur le disque et s'arrête lorsqu'elle a atteint la fin du disque. Certains disques vinyles s'arrêtent avant la fin ou ne s'arrêtent pas lorsque la fin est atteinte. Dans ce cas, réglez l'arrêt automatique sur OFF

23. Bras de tonalité

24. Clip de bras

Ce clip de bras sécurise le bras de lecture lorsqu'il est au repos ou lorsqu'il n'est pas utilisé. Le clip du bras a été conçu pour rester en position haute lorsqu'il est déverrouillé

25. Cartouche de stylet

Cartouche contenant le stylet/l'aiguille

DEMARRER

- Retirez le tourne-disque radio de la boîte d'emballage.
- Branchez l'adaptateur d'alimentation et appuyez sur **[Power]**.

Attention : Utilisez uniquement l'adaptateur fourni avec l'appareil. Le branchement d'un adaptateur de puissance différente peut causer des dommages permanents à l'appareil et peut être dangereux.

DAB +

Si la radiodiffusion numérique (DAB) existe dans votre région, la radio peut également capter les stations DAB. La radio prend en charge la DAB et la DAB+. Placez la radio près de la fenêtre et étendez l'antenne aussi loin que possible pour obtenir la meilleure réception. Il est parfois nécessaire d'ajuster la direction de l'antenne pour améliorer la réception. Appuyez sur **[Mode]** pour sélectionner le mode DAB. Appuyez sur **[Tune/Select]** pour confirmer et passer en mode DAB.

Balayage automatique : Appuyez et maintenez **[Scan/Play]**. L'écran affiche "Scanning...", l'appareil recherche automatiquement les stations disponibles. La radio commencera à lire la première station trouvée automatiquement après avoir terminé le balayage.

Tournez le bouton **[Tune/Select]** pour ouvrir la liste des stations et sélectionnez une autre station DAB. Appuyez sur **[Tune/Select]** pour confirmer.

Présélection de stations : Pendant la lecture en mode DAB, maintenez la touche **[Preset/Repeat]** enfoncée. Tournez **[Tune/Select]** pour sélectionner l'emplacement de présélection souhaité (1-30), appuyez sur **[Preset/Repeat]** pour mémoriser. L'écran affiche "Preset # Stored".

Appuyez sur **[Preset/Repeat]** pour rappeler la mémoire. Tournez **[Tune/Select]** pour sélectionner la station mémorisée que vous souhaitez écouter. Appuyez sur **[Tune/Select]** pour confirmer.

Afficher les informations sur la chaîne : Appuyez sur **[Menu/Info]** pour afficher différentes formes d'informations concernant la station en cours de lecture.

Réglages DAB :

En mode DAB, maintenez la touche **[Menu/Info]** enfoncée pour accéder au menu des paramètres. Tournez **[Tune/Select]** pour pouvoir sélectionner les propriétés suivantes :

- Full scan : Recherche/balayage automatique de toutes les chaînes pour les stations DAB. Une fois terminé, l'appareil commence automatiquement à lire la première station trouvée.
- Manual tune : Permet d'effectuer un réglage manuel sur une station DAB. Tournez **[Tune/Select]** pour modifier la fréquence. Appuyez sur **[Tune/Select]** pour confirmer et lancer la lecture.
- DRC (Dynamic Range Control) : Lorsque vous écoutez de la musique avec une gamme dynamique élevée dans un environnement bruyant, vous pouvez compresser la gamme dynamique audio. Tournez et appuyez sur **[Tune/Select]** pour sélectionner off/high/low.
- Prune : Permet d'effacer les stations non valides/non disponibles. Tournez et appuyez sur **[Tune/Select]** pour sélectionner oui/non.
- System : Identique au menu "Paramètres système".

FM RADIO

Pour recevoir les stations FM ordinaires, placez la radio près de la fenêtre et déployez l'antenne le plus loin possible pour obtenir la meilleure réception. Vous devrez peut-être ajuster la direction de l'antenne pour améliorer la réception.

Appuyez sur **[Mode]** pour sélectionner le mode FM. Maintenez la touche **[Scan/Play]** enfoncée, la radio commence à rechercher des stations. "Auto scanning..." s'affiche à l'écran. L'appareil recherche automatiquement les stations disponibles. La radio commencera à lire la première station trouvée automatiquement après avoir terminé le balayage. Si la réception n'est pas satisfaisante, utilisez la molette **[Tune/Select]** pour régler manuellement la fréquence.

Présélection de stations : Pendant la lecture en mode FM, maintenez la touche **[Preset/Repeat]** enfoncée. Tournez **[Tune/Select]** pour sélectionner l'emplacement de présélection souhaité (1-30), appuyez sur **[Preset/Repeat]** pour mémoriser. L'écran affiche "Preset # Stored".

Appuyez sur **[Preset/Repeat]** pour rappeler la mémoire. Tournez **[Tune/Select]** pour sélectionner la station mémorisée que vous souhaitez écouter. Appuyez sur **[Tune/Select]** pour confirmer.

Afficher les informations sur la chaîne : Appuyez sur **[Menu/Info]** pour afficher différentes formes d'informations concernant la station en cours de lecture.

Réglages FM :

En mode FM, maintenez la touche **[Menu/Info]** enfoncée pour accéder au menu des paramètres. Tournez **[Tune/Select]** pour pouvoir sélectionner les propriétés suivantes :

- Auto scan : Lance une recherche automatique des stations.
- Scan setting : Permet de choisir entre un balayage pour toutes les stations, ou pour les stations fortes uniquement.
- Audio setting : Permet de choisir entre une lecture stéréo autorisée ou une lecture mono forcée.
- System : Identique au menu "Paramètres système".

TOURNE-DISQUE

- Appuyez sur **[Mode]** pour sélectionner le mode plateau tournant.
- Placez le disque sur la platine. Si nécessaire, placez également l'adaptateur 45 tours sur l'axe du disque.
- Choisissez la vitesse de lecture souhaitée à l'aide du commutateur de sélection de la vitesse (33-, 45- ou 78 tours).
- Allumez l'appareil.
- Veillez à ce que toute protection soit retirée du stylet.
- Déverrouillez le bras de lecture en relâchant le clip du bras de lecture.
- Relevez le bras en utilisant le levier du bras de lecture.
- Placez la pointe de lecture verticalement sur la première piste du disque, la platine commence à tourner automatiquement.
- Abaissez lentement la pointe de lecture sur le disque en utilisant le levier du bras de lecture pour jouer.
- Lorsqu'un enregistrement touche à sa fin, la platine s'arrête automatiquement si l'interrupteur d'arrêt automatique est en position ON. Si l'interrupteur est en position d'arrêt, elle continuera à tourner jusqu'à ce que l'interrupteur soit mis en position de marche.
 - * Certains disques vinyles s'arrêtent avant la fin ou ne s'arrêtent pas lorsque la fin est atteinte. Dans ce cas, réglez l'arrêt automatique sur OFF.
- Soulevez le bras de lecture et posez-le sur le support lorsque vous avez terminé, en utilisant toujours le levier du bras de lecture.
- Verrouillez le bras de lecture en fermant le clip du bras de lecture.
- Remettez le couvercle du stylet en place.
- Coupez l'alimentation.

LECTURE BT

Avant que la transmission entre votre appareil BT et la radio soit possible, les deux appareils doivent être couplés. Ce processus est appelé "couplage". La radio sert de récepteur, pour recevoir le flux musical à diffuser sur la radio. Si vous avez déjà couplé un appareil BT auparavant, cette connexion sera rétablie automatiquement lorsque les deux appareils sont à portée et que le fonctionnement BT a été sélectionné sur la radio. Il n'est pas nécessaire de répéter l'opération de "couplage". Il se peut toutefois que cette fonction doive être activée dans votre appareil BT.

- Appuyez sur **[Mode]** jusqu'à ce que "BT" apparaisse à l'écran.
- Activez le streaming BT sur votre appareil. L'appareil recherche les appareils BT compatibles dans la zone de réception.
- Sélectionnez "Audizio Tulsa" dans la liste des appareils trouvés.
- Lancez la lecture sur votre appareil BT. La lecture a lieu en émettant le son de la radio.

AUX IN

Vous pouvez écouter la musique stockée dans un autre appareil audio ou un téléphone intelligent via la radio, grâce à la connexion à la prise auxiliaire de 3,5 mm située sur la face avant. Utilisez un câble avec des broches de 3,5 mm aux deux extrémités, une extrémité étant connectée à la prise d'entrée auxiliaire de la radio, l'autre extrémité étant connectée à la prise écouteurs de l'appareil audio (ou à la prise de sortie de ligne si disponible).

Appuyez sur **[Mode]** et sélectionnez le mode AUX, appuyez sur **[Tune/Select]** pour confirmer et valider. Lancez la musique sur le périphérique connecté, le son sera émis par la radio.

USB/SD

Lecture : Insérez votre clé USB ou votre carte SD (TF) dans l'emplacement correspondant. L'écran affiche "Please wait", puis "USB" ou "TF", selon la méthode choisie. L'appareil commence automatiquement à lire les fichiers. Tournez **[Tune/Select]** pour choisir la piste précédente/suivante. Appuyez sur **[Scan/Play]** pour (re)commencer/arrêter la lecture. Appuyez sur **[Preset/Repeat]** pour sélectionner un mode de répétition (One-All-Random).

Enregistrer:

- Insérez votre clé USB ou votre carte SD(TF) dans la fente correspondante.
- Appuyez sur **[Mode]** pour sélectionner la source de musique que vous souhaitez enregistrer.

- Appuyez sur **[Record]** jusqu'à ce que "REC" commence à clignoter sur l'écran. L'appareil va maintenant enregistrer.
- Pour arrêter l'enregistrement, appuyez sur **[Record]** jusqu'à ce que "REC" disparaisse de l'écran.
- Après l'enregistrement, appuyez sur **[Playback]** pour lire les fichiers enregistrés à partir d'une clé USB ou SD.

REGLAGE ALARME

Pour régler ou modifier l'alarme 1 ou 2, maintenez la touche **[Alarm]** enfoncée. Sélectionnez "Alarm 1 info" ou "Alarm 2 info" et appuyez sur **[Tune/Select]**.

La configuration de l'alarme vous invite à saisir les paramètres suivants. Sélectionnez une valeur pour chaque paramètre en tournant le bouton **[Tune/Select]** et appuyez sur **[Tune/Select]** pour confirmer et passer au paramètre suivant.

- Alarm: Choisissez d'activer ou de désactiver l'alarme.
- Frequency: Tous les jours, en semaine, le week-end, une fois.
- Wake up time: Réglez les valeurs de l'heure et des minutes. Sélectionnez une valeur pour chaque paramètre en tournant le bouton **[Tune/Select]** et appuyez sur **[Tune/Select]** pour confirmer et passer au paramètre suivant.
- Source: Buzzer, DAB ou FM.
Si "SOURCE" est le même que le mode de lecture actuel, le buzzer sera utilisé.
- Duration: Choisissez entre 15, 30, 45, 60, 90 et 120 minutes.
- Volume: Tournez **[Tune/Select]** pour sélectionner le volume d'alarme souhaité.

Snooze: Appuyez sur **[Tune/Select]** pour faire une pause après que l'alarme ait commencé à sonner. L'alarme suivante retentit alors 5 minutes plus tard.

Appuyez sur **[Alarm]**, **[Mode]** ou **[Power]** lorsque l'alarme retentit pour l'arrêter.

Gratulujemy zakupu tego produktu firmy Audizio. Prosimy o dokładne zapoznanie się z niniejszą instrukcją przed rozpoczęciem korzystania z urządzenia, aby w pełni wykorzystać wszystkie jego funkcje. Przeczytaj instrukcję przed rozpoczęciem korzystania z urządzenia. Postępuj zgodnie z instrukcjami, aby nie unieważnić gwarancji. Podjąć wszelkie środki ostrożności, aby uniknąć pożaru i/lub porażenia prądem. Naprawy mogą być wykonywane wyłącznie przez wykwalifikowanego technika, aby uniknąć porażenia prądem. Instrukcję należy zachować do wykorzystania w przyszłości.

- Przed rozpoczęciem użytkowania urządzenia należy zasięgnąć porady specjalisty. Przy pierwszym włączeniu urządzenia może pojawić się nieprzyjemny zapach. Jest to normalne i po chwili zniknie.
- Urządzenie zawiera części przewodzące napięcie. Dlatego NIE należy otwierać obudowy.
- Nie należy umieszczać metalowych przedmiotów ani wlewać płynów do urządzenia. Może to spowodować porażenie prądem elektrycznym i nieprawidłowe działanie.
- Nie należy umieszczać urządzenia w pobliżu źródeł ciepła, takich jak grzejniki itp. Nie umieszczać urządzenia na wibrującej powierzchni. Nie zakrywać otworów wentylacyjnych.
- Urządzenie nie nadaje się do pracy ciągłej.
- Należy zachować ostrożność z przewodem zasilającym i nie wolno go uszkodzić. Wadliwy lub uszkodzony przewód sieciowy może spowodować porażenie prądem elektrycznym i wadliwe działanie.
- Podczas odłączania urządzenia od gniazdka sieciowego należy zawsze wyciągać wtyczkę, a nie przewód.
- Nie należy podłączać ani odłączać urządzenia mokrymi rękami.
- Jeśli wtyczka i/lub przewód sieciowy są uszkodzone, należy je wymienić przez wykwalifikowanego technika.
- Jeśli urządzenie jest uszkodzone w takim stopniu, że widoczne są części wewnętrzne, NIE podłączać urządzenia do gniazdka sieciowego i NIE włączać urządzenia. Skontaktować się ze sprzedawcą.
- Aby uniknąć zagrożenia pożarem i porażeniem prądem, nie wystawiać urządzenia na działanie deszczu i wilgoci.
- Wszystkie naprawy powinny być wykonywane wyłącznie przez wykwalifikowanego technika.
- Podłączyć urządzenie do uziemionego gniazdka sieciowego (220-240Vac/50Hz) zabezpieczonego bezpiecznikiem 10-16A.
- Podczas burzy z piorunami lub jeśli urządzenie nie będzie używane przez dłuższy okres czasu, należy odłączyć je od sieci elektrycznej. Zasada jest taka sama: Gdy urządzenie nie jest używane, należy je odłączyć od sieci zasilającej.
- Jeśli urządzenie nie było używane przez dłuższy okres czasu, może dojść do kondensacji pary wodnej. Przed włączeniem urządzenie powinno osiągnąć temperaturę pokojową.
- Nigdy nie używać urządzenia w wilgotnych pomieszczeniach lub na zewnątrz.
- Aby zapobiec wypadkom w firmach, należy postępować zgodnie z obowiązującymi wytycznymi i instrukcjami.
- Nie należy wielokrotnie włączać i wyłączać urządzenia. Skraca to żywotność urządzenia.
- Przechowywać urządzenie w miejscu niedostępnym dla dzieci. Nie pozostawiać urządzenia bez nadzoru.
- Do czyszczenia przelotników nie używać sprayów czyszczących. Pozostałości tych sprayów powodują osadzenie się kurzu i smaru. W przypadku awarii należy zawsze zasięgnąć porady specjalisty.
- Nie wolno wymuszać używania elementów sterujących.
- Wewnątrz urządzenia znajduje się głośnik, który może powodować pole magnetyczne. Urządzenie należy trzymać w odległości co najmniej 60 cm od komputera lub telewizora.
- Jeśli ten produkt ma wbudowany akumulator kwasowo-ołowiowy. Jeśli nie zamierzasz używać produktu przez dłuższy okres czasu, ładuj go co 3 miesiące. W przeciwnym razie bateria może ulec trwałemu uszkodzeniu.
- Jeśli bateria jest uszkodzona, należy wymienić ją na baterię o tej samej specyfikacji. Uszkodzoną baterię należy utylizować w sposób przyjazny dla środowiska.
- Jeśli urządzenie upadło, przed ponownym włączeniem należy je sprawdzić przez wykwalifikowanego technika.
- Do czyszczenia urządzenia nie należy używać środków chemicznych. Uszkodzą one lakier. Urządzenie należy czyścić wyłącznie suchą ściereczką.
- Trzymać z dala od sprzętu elektronicznego, który może powodować zakłócenia.
- Do napraw należy używać wyłącznie oryginalnych części zamiennych, w przeciwnym razie może dojść do poważnych uszkodzeń i/lub niebezpiecznego promieniowania.
- Przed odłączeniem urządzenia od sieci elektrycznej i/lub innych urządzeń należy je wyłączyć. Przed przeniesieniem urządzenia należy odłączyć wszystkie przewody i kable.
- Upewnić się, że przewód zasilający nie może zostać uszkodzony, gdy ludzie chodzą po nim. Przed każdym użyciem należy sprawdzić przewód sieciowy pod kątem uszkodzeń i usterek!
- Napięcie sieciowe wynosi 220-240Vac/50Hz. Sprawdź, czy gniazdo zasilania pasuje. W przypadku podróży należy upewnić się, że napięcie sieciowe w danym kraju jest odpowiednie dla tego urządzenia.
- Należy zachować oryginalne opakowanie, aby umożliwić bezpieczny transport urządzenia.



Ten znak zwraca uwagę użytkownika na wysokie napięcie, które jest obecne w środku obudowy urządzenia. Napięcie jest wystarczające, aby porazić użytkownika.



Ten znak zwraca uwagę użytkownika do ważnych informacji, które znajdują się w instrukcji. Informacje te powinny być przeczytane oraz uwzględnione w codziennym użytkowaniu

Urządzenie posiada certyfikat CE. **Nie wolno** wprowadzać żadnych zmian w urządzeniu. Każda modyfikacja sprzętu spowoduje utratę certyfikatu CE oraz gwarancji!

UWAGA: Urządzenie może funkcjonować w pomieszczeniach o temperaturze pomiędzy 5°C/41°F oraz 35°C/95°F.



WAŻNA INFORMACJA: Urządzenia elektryczne muszą być składowane w miejscach do tego przeznaczonych. Sprawdź, gdzie w Twojej okolicy znajduje się najbliższe centrum recyklingu. Specyfikacja techniczna poszczególnych urządzeniach może się nieznacznie różnić. Specyfikacja może ulec zmian bez powiadomień.

Nie próbuj dokonywać żadnych napraw samodzielnie, to spowoduje unieważnienie gwarancji. Gwarancja nie dotyczy uszkodzeń spowodowanych niewłaściwym użytkowaniem sprzętu, niezgodnie z instrukcją. Power Dynamics nie jest odpowiedzialny za uszkodzenia na zdrowiu oraz kontuzje spowodowane niestosowaniem się do zaleceń bezpieczeństwa. Dotyczy to wszelakich uszkodzeń.

INSTRUKCJA ROZPAKOWANIA

UWAGA! Po otrzymaniu przesyłki należy ostrożnie ją rozpakować. Sprawdzić zawartość, aby upewnić się, że wszystkie części są obecne i zostały dostarczone w dobrym stanie. Jeśli jakiegokolwiek części wyglądają na uszkodzone podczas transportu lub opakowanie nosi ślady niewłaściwego obchodzenia się z nimi, należy natychmiast powiadomić dostawcę i zachować materiały opakowaniowe. Należy zachować opakowanie i wszystkie materiały opakowaniowe. Jeśli produkt musi zostać zwrócony, ważne jest, aby był zwrócony w oryginalnym fabrycznym pudełku i opakowaniu. Jeśli urządzenie zostało narażone na drastyczne zmiany temperatury (np. po transporcie), nie należy go od razu włączyć. Powstająca woda kondensacyjna może uszkodzić urządzenie. Pozostawić urządzenie wyłączone, aż osiągnie temperaturę pokojową.

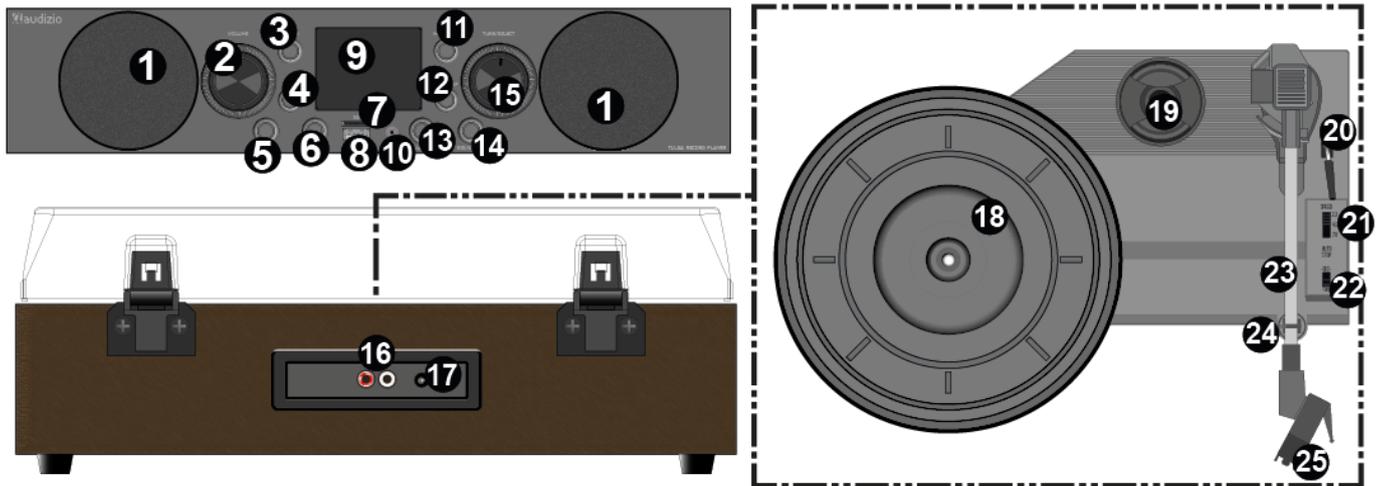
ZASILANIE

Na etykiecie znajdującej się na tylnej stronie produktu podany jest typ zasilania, który należy podłączyć. Sprawdź, czy napięcie sieciowe odpowiada temu, wszystkie inne napięcia niż podane, urządzenie może zostać nieodwracalnie uszkodzone. Produkt musi być również bezpośrednio podłączony do sieci i może być używany. Brak ściemniacza lub regulowanego zasilania.



Zawsze podłączaj urządzenie do zabezpieczonego obwodu (wyłącznik automatyczny lub bezpiecznik). Upewnij się, że urządzenie ma odpowiednie uziemienie elektryczne, aby uniknąć ryzyka porażenia prądem lub pożaru.

STEROWANIE I POŁĄCZENIA



1. **Głośnik**
2. **Volume**
Obróć, aby dostosować poziom głośności
3. **Power**
Krótkie naciśnięcie powoduje włączenie/wyłączenie urządzenia z trybu czuwania
Naciśnij i przytrzymaj, aby włączyć/wyłączyć urządzenie
4. **Mode**
Naciśnij, aby zmienić tryb
5. **Playback**
Naciśnij, aby odtworzyć nagrany plik
6. **Record**
Służy do nagrywania płyt gramofonowych/AUX/FM/DAB odtwarzanych z SD lub USB (po włożeniu)
7. **Gniazdo SD**
8. **Gniazdo USB**
9. **Wyświetlacz LCD**
10. **Gniazdo Aux in 3,5 mm**
11. **Menu/Info**
Naciśnij podczas odtwarzania FM- lub DAB, aby wyświetlić różne parametry informacji
Naciśnij i przytrzymaj, aby wejść do menu (ustawień)
12. **Preset/Repeat**
Naciśnij podczas odtwarzania FM- lub DAB, aby wejść na listę zaprogramowanych kanałów.
Naciśnij i przytrzymaj podczas odtwarzania FM- lub DAB, aby włączyć zapisywanie zaprogramowanych kanałów
13. **Alarm**
Naciśnij i przytrzymaj, aby wejść do menu ustawień alarmu
14. **Scan/Play**
Naciśnij, aby (od)wyciszyć urządzenie
Naciśnij w trybie USB/SD, aby (ponownie) rozpocząć/ wstrzymać odtwarzanie
Naciśnij i przytrzymaj w trybie FM- DAB, aby automatycznie wyszukać stacje
15. **Tune/Select**
Obróć, aby dostroić lub nawigować
Naciśnij, aby wybrać
16. **Line output**
Wyjście liniowe RCA

17. DC 5V IN

18. Talerz gramofonu

19. Adapter 45rpm

Ten adapter pozwala na odtwarzanie płyt 45RPM

20. Dźwignia ramienia tonu

Służy do podnoszenia/opuszczania ramienia tonu

21. Przetłącznik 33 / 45 / 78 RPM

Służy do regulacji obrotów talerza gramofonu

22. Przetłącznik autostopu ON/OFF

Ten przetłącznik włącza/wyłącza funkcję automatycznego zatrzymania. Gdy funkcja automatycznego zatrzymania jest włączona, platforma zacznie się obracać, gdy tylko ramię tonowe zostanie umieszczone nad płytą i zatrzyma się po osiągnięciu końca płyty. Niektóre płyty winylowe zatrzymują się przed końcem lub nie zatrzymują się po osiągnięciu końca. W takim przypadku należy ustawić Auto-stop na OFF

23. Ramię tonowe

24. Klips do ramienia

Ten zacisk ramienia zabezpiecza ramię tonu w stanie spoczynku lub gdy nie jest używane. Klips na ramię został zaprojektowany tak, aby pozostawał w pozycji podniesionej, gdy jest odblokowany

25. Wkładka z rysikiem

Kaseta zawierająca rysik/igłę

ROZPOCZĘCIE PRACY

- Wyjąć radio z opakowania.
- Podłączyć zasilacz lub włożyć odpowiednie baterie i nacisnąć przycisk **[Power]**.

Ostrożnie: Należy używać wyłącznie adaptera dostarczonego z radiem. Podłączenie zasilacza o innej wartości znamionowej może spowodować trwałe uszkodzenie radia i może być niebezpieczne.

DAB+

Jeśli w Twojej okolicy działa system Digital Audio Broadcasting (DAB), urządzenie może odbierać stacje DAB. Radio obsługuje zarówno DAB, jak i DAB+.

Umieść radio w pobliżu okna i rozwiń antenę, aby uzyskać najlepszy odbiór. Czasami może być konieczne dostosowanie kierunku anteny, aby poprawić odbiór.

Nacisnij **[Mode]**, aby wybrać tryb DAB. Nacisnij **[Tune/Select]**, aby potwierdzić i wejść w tryb DAB.

Automatyczne skanowanie: Nacisnij i przytrzymaj przycisk **[Scan/Play]**. Na wyświetlaczu pojawi się napis "Scanning...", urządzenie będzie automatycznie skanować w poszukiwaniu dostępnych stacji. Radio rozpocznie odtwarzanie pierwszej znalezionej stacji automatycznie po zakończeniu skanowania.

Obróć pokrętkę **[Tune/Select]**, aby otworzyć listę stacji i wybrać kolejną stację DAB. Nacisnij **[Tune/Select]**, aby potwierdzić.

Wstępne ustawianie stacji: Podczas odtwarzania w trybie DAB, nacisnij i przytrzymaj **[Preset/Repeat]**. Obróć **[Tune/Select]**, aby wybrać żądany slot presetu (1-30), nacisnij **[Preset/Repeat]**, aby zapisać. Na wyświetlaczu pojawi się komunikat "Preset # Stored".

Nacisnij **[Preset/Repeat]**, aby przywołać pamięć. Obróć **[Tune/Select]**, aby wybrać zapisaną stację, której chcesz słuchać. Nacisnij **[Tune/Select]**, aby potwierdzić.

Pokaż informacje o kanale: Nacisnij **[Menu/Info]**, aby wyświetlić różne formy informacji dotyczące odtwarzanej stacji.

Ustawienia DAB:

W trybie DAB, nacisnij i przytrzymaj **[Menu/Info]**, aby wejść do menu ustawień. Obróć **[Tune/Select]**, aby móc wybrać następujące właściwości:

- Full scan: Automatyczne pełne wyszukiwanie/skanowanie kanałów dla stacji DAB. Po zakończeniu wyszukiwania urządzenie automatycznie rozpocznie odtwarzanie pierwszej znalezionej stacji.
- Manual tune: Umożliwia ręczne dostrojenie do stacji DAB. Obróć **[Tune/Select]**, aby zmienić częstotliwość. Nacisnij przycisk **[Tune/Select]**, aby potwierdzić i odtworzyć.
- DRC (Dynamic Range Control): Podczas słuchania muzyki o wysokim zakresie dynamiki w głośnym otoczeniu, można skompresować zakres dynamiki dźwięku. Obróć i nacisnij przycisk **[Tune/Select]**, aby wybrać off/high/low poziom.
- Prune: Umożliwia usuwanie nieważnych/niedostępnych stacji. Obróć i nacisnij przycisk **[Tune/Select]**, aby wybrać tak/nie.
- System: Identyfikacja jak w przypadku menu "Ustawienia systemowe".

FM

Aby odbierać zwykłe stacje FM, umieść radio blisko okna i rozwiń antenę, aby uzyskać najlepszy odbiór. Czasami może być konieczne dostosowanie kierunku anteny, aby poprawić odbiór.

Nacisnij przycisk **[Mode]**, aby wybrać tryb FM. Nacisnij i przytrzymaj przycisk **[Scan/Play]**, radio rozpocznie wyszukiwanie stacji. "Auto Scanning..." pojawi się na wyświetlaczu. Urządzenie będzie automatycznie skanować w poszukiwaniu dostępnych stacji. Radio rozpocznie odtwarzanie pierwszej znalezionej stacji automatycznie po zakończeniu skanowania. Jeśli odbiór nie jest taki, jak należy, użyj pokrętki **[Tune/Select]**, aby ręcznie dostroić częstotliwość.

Wstępne ustawianie stacji: Podczas odtwarzania w trybie FM, naciśnij i przytrzymaj **[Preset/Repeat]**. Obróć **[Tune/Select]**, aby wybrać żądany slot presetu (1-30), naciśnij **[Preset/Repeat]**, aby zapisać. Na wyświetlaczu pojawi się komunikat "Preset # Stored".

Naciśnij **[Preset/Repeat]**, aby przywołać pamięć. Obróć **[Tune/Select]**, aby wybrać zapisaną stację, której chcesz słuchać. Naciśnij **[Tune/Select]**, aby potwierdzić.

Pokaż informacje o kanale: Naciśnij **[Menu/Info]**, aby wyświetlić różne formy informacji dotyczące odtwarzanej stacji.

Ustawienia FM:

W trybie FM, naciśnij i przytrzymaj **[Menu/Info]**, aby wejść do menu ustawień. Obróć **[Tune/Select]**, aby móc wybrać następujące właściwości:

- Auto scan: Inicjuje automatyczne skanowanie w poszukiwaniu stacji.
- Scan setting: Umożliwia wybór pomiędzy skanowaniem wszystkich stacji lub tylko stacji o silnym sygnale.
- Audio setting: Umożliwia wybór pomiędzy dozwolonym odtwarzaniem stereo lub wymuszonym odtwarzaniem mono.
- System: Identycznie jak w przypadku menu "Ustawienia systemowe".

GRAMOFON

- Naciśnij **[Mode]**, aby wybrać tryb pracy gramofonu.
- Umieść płytę na gramofonie. Jeśli to konieczne, umieść również adapter 45rpm na wrzecionie płyty.
- Wybierz żądaną prędkość odtwarzania za pomocą przełącznika wyboru prędkości (33-, 45- lub 78rpm).
- Włączanie urządzenia.
- Upewnij się, że wszelkie osłony ochronne zostały zdjęte z rysika.
- Odblokuj ramię tonu zwalniając zaczep ramienia tonu.
- Podnieś ramię za pomocą dźwigni ramienia tonowego.
- Umieść rysik pionowo nad pierwszą ścieżką płyty, gramofon zacznie się obracać automatycznie.
- Opuść powoli trzpień na płytę, używając dźwigni ramienia tonowego do odtwarzania.
- Gdy płyta dobiegnie końca, gramofon zatrzyma się automatycznie, jeśli przełącznik auto-stop znajduje się w pozycji ON. Jeśli przełącznik znajduje się w pozycji OFF to będzie się obracał do momentu ustawienia przełącznika w pozycji ON.
* Niektóre płyty winylowe zatrzymują się przed końcem lub nie zatrzymują się po osiągnięciu końca. W takim przypadku należy ustawić Auto-stop na OFF.
- Po zakończeniu pracy podnieś ramię tonu i umieść je na podpórce, zawsze używając dźwigni ramienia tonu.
- Zablokuj ramię tonu zamykając klips ramienia tonu.
- Załóż ponownie osłonę trzpienia pomiarowego.
- Wyłączyć zasilanie.

ODTWARZANIE BT

Zanim możliwa będzie transmisja pomiędzy urządzeniem BT a radiem, oba urządzenia muszą zostać sparowane. Proces ten nazywany jest "parowaniem". Radio służy jako odbiornik, do odbioru strumienia muzyki, który ma być odtwarzany w radiu. Jeśli już wcześniej sparowałeś się z urządzeniem BT, połączenie to zostanie przywrócone automatycznie, gdy oba urządzenia znajdą się w zasięgu, a w radiu wybrano obsługę BT. "Parowanie" nie musi być powtarzane. Funkcja ta może wymagać aktywacji w urządzeniu BT, jednak.

- Naciskaj przycisk **[Mode]**, aż na wyświetlaczu pojawi się "BT".
- Włącz strumieniowanie BT w swoim urządzeniu. Urządzenie będzie skanować w poszukiwaniu sparowanych urządzeń BT w zasięgu odbioru.
- Wybierz "Audizio Tulsa" z listy znalezionych urządzeń.
- Uruchom odtwarzanie na urządzeniu BT. Odtwarzanie odbywa się teraz poprzez emisję dźwięku z radia.

AUX IN

Możesz słuchać muzyki zapisanej w innym urządzeniu audio lub smartfonie za pośrednictwem radia, poprzez połączenie z gniazdem aux-in 3,5 mm na przedniej stronie. Użyj kabla z wtykami 3,5 mm na obu końcach, jeden koniec podłączony do gniazda aux-in w radiu, drugi koniec podłączony do gniazda słuchawkowego w urządzeniu audio (lub gniazda line out, jeśli jest dostępne).

Naciśnij **[Mode]** i wybierz tryb AUX, naciśnij **[Tune/Select]**, aby potwierdzić i wejść. Odtwarzaj muzykę na podłączonym urządzeniu, dźwięk będzie emitowany z radia.

USB/SD

Odtwarzanie: Włóż dysk USB lub kartę SD (TF) do odpowiedniego gniazda. Na wyświetlaczu pojawi się napis "Please wait", a następnie "USB" lub "TF", w zależności od wybranej metody. Urządzenie automatycznie rozpocznie odtwarzanie plików. Obróć **[Tune/Select]**, aby wybrać poprzednią/ następną ścieżkę. Naciśnij **[Scan/Play]**, aby (ponownie) rozpocząć/wstrzymać odtwarzanie. Naciśnij **[Preset/Repeat]**, aby wybrać tryb powtarzania (One-All-Random).

Zapisywanie:

- Włóż dysk USB lub kartę SD(TF) do odpowiedniego gniazda.
- Naciśnij **[Mode]**, aby wybrać źródło muzyki, które chcesz nagrać.
- Naciskaj przycisk **[Record]**, aż na wyświetlaczu zacznie migać napis "REC". Urządzenie będzie teraz nagrywać.
- Aby zatrzymać nagrywanie, naciśnij **[Record]**, aż "REC" zniknie z wyświetlacza.
- Po nagraniu, naciśnij **[Playback]**, aby odtworzyć nagrane pliki z USB- lub SD.

USTAWIENIE ALARMU

Aby ustawić lub zmienić alarm 1 lub 2, naciśnij i przytrzymaj przycisk **[Alarm]**. Wybierz opcję "Alarm 1 info" lub "Alarm 2 info" i naciśnij **[Tune/Select]**.

Konfiguracja alarmu powoduje wyświetlenie zapytania o następujące parametry. Wybierz wartość dla każdego parametru, obracając pokrętko **[Tune/Select]** i naciśnij **[Tune/Select]**, aby potwierdzić i wyświetlić następny parametr.

- Alarm: Wybierz, aby włączyć/wyłączyć alarm.
- Frequency: Codziennie, Dni powszednie, Weekendy, Raz.
- Wake up time: Ustawić wartości godziny i minut. Wybierz wartość dla każdego parametru obracając pokrętko **[Tune/Select]** i naciśnij **[Tune/Select]**, aby potwierdzić i odpowiedzieć na następny parametr.
- Source: Buzzer, DAB lub FM.
Jeśli "SOURCE" jest takie samo jak aktualny tryb odtwarzania, zostanie użyty Buzzer (brzęczyk).
- Duration: Wybierz pomiędzy 15-, 30-, 45-, 60-, 90- i 120 minutami.
- Volume: Obróć **[Tune/Select]**, aby wybrać żądaną głośność alarmu.

Snooze: Naciśnij przycisk **[Tune/Select]**, aby drzemać po rozpoczęciu alarmu. Następny alarm zostanie uruchomiony 5 minut później. Naciśnij **[Alarm]**, **[Mode]** lub **[Power]**, gdy alarm jest włączony, aby go wyłączyć.

USTAWIENIA SYSTEMOWE

Naciśnij i przytrzymaj **[Menu/Info]**, aby wywołać menu ustawień systemowych. Obróć **[Tune/Select]**, aby wybrać "System" i naciśnij **[Tune/Select]**, aby potwierdzić i wejść do podmenu.

Obróć **[Tune/Select]**, aby wybrać następujące opcje w podmenu i naciśnij **[Tune/Select]**, aby potwierdzić.

Uwaga: Podczas procesu ustawiania, naciśnij **[Menu/Info]**, aby powrócić do poprzedniego menu, obróć **[Tune/Select]** przez różne podmenu ustawień. Naciśnij **[Tune/Select]**, aby potwierdzić bieżące ustawienie.

Time

Ustawianie czasu i daty: Naciśnij **[Tune/Select]**, aby przetaczać się pomiędzy właściwościami godziny, minuty, dnia, miesiąca i roku. Obróć **[Tune/Select]**, aby dostosować i naciśnij **[Tune/Select]**, aby potwierdzić wartość aktualizacji.

Automatyczna aktualizacja: Inicjuje automatyczne aktualizacje czasu i daty (opcje: aktualizacja z dowolnego, aktualizacja z DAB, aktualizacja z FM, brak aktualizacji).

Ustawianie formatu 12/24 godzin: Wybierz pomiędzy ustawieniami 24- lub 12-godzinnymi.

Ustaw format daty: Wybierz pomiędzy DD-MM-YYYY lub MM-DD-YYYY.

Language

Wybierz preferowany język systemu.

Backlight

Ustawienie wartości podświetlenia. Wybierz pomiędzy wysoką, średnią i niską.

Sleep timer

Po upływie ustawionego czasu urządzenie automatycznie przejdzie w tryb czuwania.

Wybierz pomiędzy trybem wyłączenia, 15-, 30-, 60-, 90- i 120 minut.

Equalizer

Zmieniaj ustawienia dźwięku pomiędzy różnymi wstępnie ustawionymi profilami dźwiękowymi.

Wybierz pomiędzy normalnym, jazzowym, popularnym, klasycznym i rockowym.

Factory reset

Uwaga: Zainicjowanie przywracania ustawień fabrycznych powoduje usunięcie wszystkich zaprogramowanych stacji, zapisanych stacji, alarmów i przywraca wszystkie inne opcje do ustawień domyślnych.

Obróć i naciśnij przycisk **[Tune/Select]**, aby wybrać opcję "Yes". Urządzenie zostanie przywrócone do ustawień fabrycznych. Wybierz 'No', jeśli nie chcesz przywrócić ustawień fabrycznych.

Software version

Wejść do tego podmenu, aby zobaczyć aktualnie zainstalowaną wersję oprogramowania urządzenia.

Gratulujeme ke koupi tohoto produktu Audizio. Před použitím výrobku si pečlivě přečtěte tento návod, abyste mohli plně využívat všechny jeho funkce.

Před použitím přístroje si přečtěte tuto příručku. Postupujte podle pokynů, aby nedošlo ke zneplatnění záruky. Přijměte veškerá preventivní opatření, abyste zabránili požáru nebo úrazu elektrickým proudem. Opravy smí provádět pouze kvalifikovaný technik, aby nedošlo k úrazu elektrickým proudem. Návod si uschovejte pro budoucí použití.

- Před použitím přístroje se poraďte s prodávajícím. Při prvním zapnutí jednotky může dojít k zápachu. To je normální a po chvíli to zmizí.
- Přístroj obsahuje části pod napětím. Proto neotvírejte jeho kryt.
- Neumísťujte do přístroje kovové předměty a nelijte na ni tekutiny. Mohlo by dojít k úrazu elektrickým proudem a poruše.
- Neumísťujte jednotku do blízkosti zdrojů tepla, jako jsou radiátory apod.
- Neumísťujte jednotku na vibrující povrch. Nezakrývejte ventilační otvory.
- Jednotka není vhodná pro trvalé používání.
- S napájecím kabelem buďte opatrní a nepoškozujte jej. Vadný nebo poškozený napájecí kabel může způsobit úraz elektrickým proudem, nebo poruchu.
- Při odpojování zařízení od zásuvky vždy tahejte za zástrčku, nikdy ne za kabel.
- Nezapojujte a neodpojujte přístroj mokřima rukama.
- Pokud je poškozena zástrčka a / nebo napájecí kabel, musí být opraveny kvalifikovaným technikem.
- Pokud je jednotka poškozena do takové míry, že jsou vidět vnitřní části, NEZAPOJUJTE jednotku do zásuvky ani ji NEZAPÍNEJTE. Kontaktujte svého prodejce. NEPŘIPOJUJTE jednotku k reostatu nebo stmívači.
- Aby nedošlo k požáru, nebo úrazu elektrickým proudem, nevystavujte jednotku dešti a vlhkosti.
- Všechny opravy musí provádět pouze kvalifikovaný technik.
- Připojte přístroj k uzemněné síťové zásuvce (220 - 240 V, střídavý / 50 Hz) chráněné pojistkou 10 - 16 A.
- Během bouřky nebo pokud nebudete jednotku delší dobu používat, odpojte ji od elektrické sítě. Pokud zařízení nepoužíváte, odpojte jej od elektrické sítě.
- Pokud jednotku nebudete delší dobu používat, může dojít ke kondenzaci vlhkosti. Než přístroj zapnete, nechejte jej dosáhnout pokojovou teplotu. Nikdy nepoužívejte jednotku ve vlhkých místnostech nebo venku.
- Abyste předešli nehodám na veřejnosti, musíte postupovat podle příslušných pokynů a instrukcí.
- Zařízení opakovaně nezapínejte a nevypínejte. Tím se zkracuje jeho životnost.
- Uchovávejte jednotku mimo dosah dětí. Nenechávejte jednotku bez dozoru.
- K čištění spínačů nepoužívejte čisticí spreje. Zbytky těchto sprejů způsobují, že se na spínačích usazuje prach a mastnota. V případě poruchy vždy vyhledejte radu od odborníka.
- Na ovládací prvky netlačte silou.
- Tato jednotka má uvnitř reproduktor, který může způsobit magnetické pole. Udržujte proto toto zařízení ve vzdálenosti alespoň 60 cm od počítače nebo televize.
- Pokud má tato jednotka vestavěnou dobíjecí baterii, tak ji dobijte alespoň 1x za 3 měsíce. Jinak může dojít k poškození baterie.
- Pokud je baterie poškozená, vyměňte ji za baterii se stejnými specifikacemi. Poškozenou baterii zlikvidujte ekologicky.
- Pokud Vám přístroj upadnul, nechte ho před opětovným zapnutím zkontrolovat kvalifikovaným technikem.
- K čištění jednotky nepoužívejte chemikálie. Poškozují lak. Jednotku čistěte pouze suchým hadříkem.
- Uchovávejte mimo dosah elektronických zařízení, která mohou způsobovat rušení.
- K opravám používejte pouze originální náhradní díly, jinak může dojít k vážnému poškození nebo nebezpečnému záření.
- Před odpojením od sítě nebo od jiného zařízení přístroj vypněte. Před přemístováním přístroje odpojte všechny napájecí i jiné kabely.
- Zajistěte, aby nemohlo dojít k poškození síťového kabelu, když po něm lidé kráčí. Před každým použitím zkontrolujte přívodní kabel, zda není poškozený nebo vadný!
- Síťové napětí je 220 – 240 V, AC / 50Hz. Zkontrolujte, zda se napětí v zásuvce shoduje. Pokud cestujete, zkontrolujte, zda je v dané zemi pro tuto jednotku vhodné síťové napětí.
- Uschovejte originální obalový materiál, abyste mohli jednotku v případě potřeby přepravit v bezpečných podmínkách.



Tento znak upozorňuje uživatele na vysokému napětí, které je uvnitř přístroje a které je dostatečně velké, aby způsobilo nebezpečí úrazu elektrickým proudem.



Tento znak upozorňuje uživatele na důležité pokyny obsažené v této příručce, kterou by si měl před používáním přečíst a dodržovat.

Jednotka má certifikát CE. Na jednotce je zakázáno provádět jakékoli změny. Certifikát CE by tím pozbyl platnost a zboží by přišlo o záruku!

POZNÁMKA: Aby bylo zajištěno, že jednotka bude fungovat normálně, musí být používána v místnostech s teplotou mezi 5 °C a 35 °C.



Elektrické výrobky se nesmí ukládat do domácího odpadu. Přineste je, prosím, do recyklačního centra. Zeptejte se místních úřadů nebo prodejce na postup. Specifikace jsou typické. Skutečné hodnoty se mohou z jedné jednotky na druhou mírně změnit. Specifikace lze změnit bez předchozího upozornění.

Nepokoušejte se sami provádět žádné opravy. To by zneplatnilo vaši záruku. Na jednotce neprovádějte žádné změny. Tím by také zanikla vaše záruka. Záruka se nevztahuje na nehody nebo škody způsobené nevhodným použitím nebo nerespektováním varování obsažených v této příručce. Power dynamics nemůže nést odpovědnost za zranění osob způsobená nerespektováním bezpečnostních doporučení a varování. To platí také pro všechny škody v jakékoli formě.

POKYNY PO VYBALENÍ

POZOR! Ihned po obdržení produktu pečlivě vybalte krabici, zkontrolujte obsah, zda jsou všechny součásti přítomny a zda jsou v bezvadném stavu. Okamžitě informujte přepravce i prodejce a uschovejte obal ke kontrole, pokud se objeví nějaké známky poškození, nebo pokud obal samotný vykazuje známky nesprávné manipulace. Ponechte si veškerý původní balicí materiál. V případě, že produkt bude muset být vrácen do továrny, je důležité, aby byl vrácen a zabalen v původní krabici. Pokud bylo zařízení vystaveno drastickým výkyvům teploty (např. v rámci přepravy), nezapínejte jej okamžitě. Vznikající kondenzovaná voda může poškodit vaše zařízení. Nechejte zařízení vypnuté, dokud nedosáhne pokojové teploty.

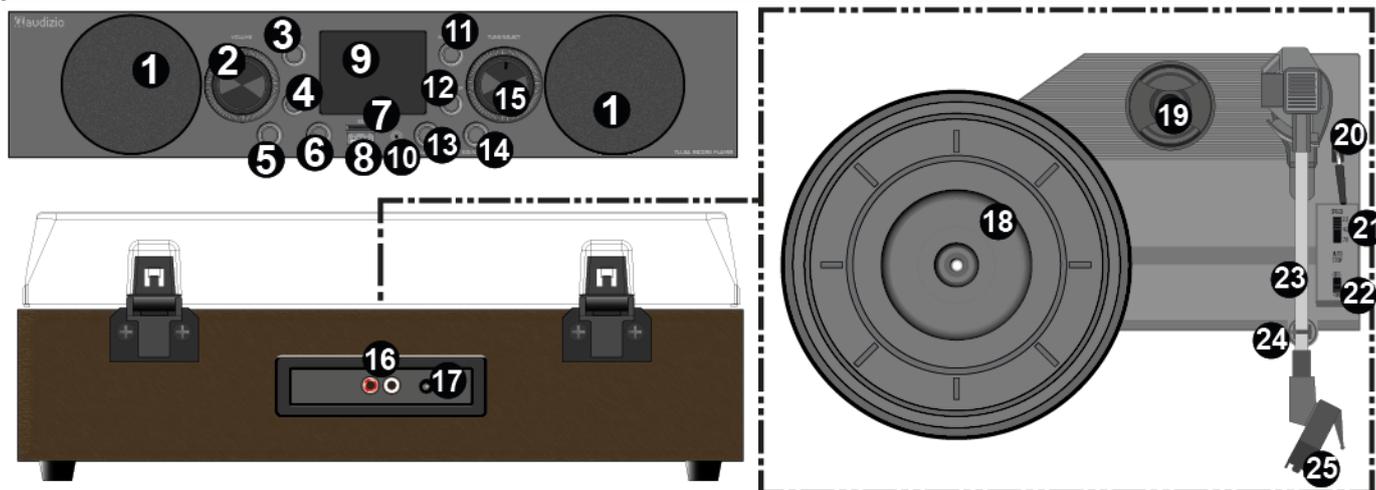
NAPÁJENÍ

Štítek na zadní/spodní straně výrobku udává síťové napětí, ke kterému musí být výrobek připojen. Zkontrolujte, zda síťové napětí odpovídá tomuto napětí. Jiné než uvedené napětí může způsobit neopravitelné poškození přístroje. Přístroj musí být také připojen přímo k síťovému napětí a nesmí být použit žádný stmívač nebo nastavitelný zdroj napájení.



Přístroj vždy připojujte k chráněnému obvodu (jističi nebo pojistka). Ujistěte se, že má zařízení vhodné elektrické uzemnění, abyste předešli riziku úrazu elektrickým proudem nebo požáru.

OVLÁDACÍ PRVKY A PŘIPOJENÍ



- 1. Reprodaktor**
- 2. Ovládání hlasitosti**
Otáčením nastavte úroveň hlasitosti
- 3. Power**
Krátké stisknutí pro zapnutí/vypnutí zařízení z pohotovostního režimu
Stisknutím a podržením zapnete/vypnete zařízení
- 4. Mode**
Stisknutím změňte režim
- 5. Playback**
Stisknutím přehrajete nahraný soubor v režimu nahraného zdroje
- 6. Record**
Slouží k nahrávání přehrávání z gramofonu/AUX/FM/DAB na SD nebo USB (po vložení)
- 7. SD**
- 8. USB**
- 9. LCD displej**
- 10. Zásuvka Aux in 3,5 mm**
- 11. Menu/Info**
Stisknutím během přehrávání FM nebo DAB zobrazíte různé parametry informací
Stisknutím a podržením vstoupíte do nabídky (nastavení)
- 12. Preset/Repeat**
Stisknutím během přehrávání FM nebo DAB vstoupíte do seznamu předvoleb
Stisknutím a podržením během přehrávání FM- nebo DAB spustíte ukládání předvoleb kanálů
- 13. Alarm**
Stisknutím a podržením tlačítka vstoupíte do nabídky nastavení budíku
- 14. Scan/Play**
Stisknutím (zrušíte) ztlumení zařízení
Stisknutím v režimu USB-/SD (znovu)spustíte/pozastavíte přehrávání
Stisknutím a podržením v režimu FM- DAB automaticky vyhledáte stanice
- 15. Tune/Select**
Otáčením můžete ladit nebo navigovat
Stiskněte tlačítko pro výběr
- 16. Linkový výstup**
Linkový výstup RCA
- 17. DC 5V IN**
- 18. Gramofonový talíř**

19. Adaptér na 45 otáček za minutu

Tento adaptér umožňuje přehrávat desky s rychlostí 45 otáček za minutu

20. Páka tónovacího ramene

21. Přepínač 33 / 45 / 78 otáček za minutu

Slouží k nastavení otáček talíře gramofonu

22. Spínač automatického vypnutí/zapnutí

Tímto přepínačem se zapíná/vypíná funkce automatického zastavení. Je-li zapnuta funkce automatického zastavení, začne se plošina otáčet, jakmile je tónové rameno umístěno nad záznamem, a přestane se otáčet, jakmile dosáhne konce záznamu. Některé vinylové desky se zastaví před koncem nebo se nezastaví po dosažení konce. V takovém případě nastavte možnost Automatické zastavení na hodnotu OFF

23. Tónové rameno

24. Spona na rameno

Tato spona ramene zajišťuje raménko v klidovém stavu nebo v době, kdy se nepoužívá. Klip ramene byl navržen tak, aby zůstal v odemčené poloze nahoře

25. Stylusová kazeta

Kazeta se stylusem/jehlou

ZAČÍNÁME

- Vyměňte rádio z krabice.
- Připojte napájecí adaptér a stiskněte tlačítko **[Power]**.

Upozornění: Používejte pouze adaptér dodaný s rádiem. Připojení napájecího adaptéru s jinou jmenovitou hodnotou může způsobit trvalé poškození rádia a může být nebezpečné.

DAB +

Pokud je ve vaší oblasti dostupné digitální rozhlasové vysílání (DAB), může přístroj přijímat stanice DAB. Rádio podporuje jak DAB, tak DAB+. Umístěte rádio blízko okna a odviňte anténu, abyste dosáhli nejlepšího příjmu. Někdy může být nutné upravit směr antény, aby se zlepšil příjem.

Stisknutím tlačítka **[Mode]** vyberte režim DAB. Stisknutím tlačítka **[Tune/Select]** potvrďte a vstupte do režimu DAB.

Automatické skenování: Stiskněte a podržte tlačítko **[Scan/Play]**. Na displeji se zobrazí "Scanning...", přístroj automaticky vyhledá dostupné stanice. Po dokončení skenování začne rádio automaticky přehrávat první nalezenou stanici.

Otáčením knoflíku **[Tune/Select]** otevřete seznam stanic a vyberte další stanici DAB. Potvrďte stisknutím tlačítka **[Tune/Select]**.

Předvolba stanice: Při přehrávání v režimu DAB stiskněte a podržte tlačítko **[Preset/Repeat]**. Otáčením **[Tune/Select]** vyberte požadovaný slot předvolby (1-30), stisknutím **[Preset/Repeat]** uložte. Na displeji se zobrazí "Preset # Stored" (Předvolba č. uložena).

Stisknutím tlačítka **[Preset/Repeat]** vyvoláte paměť. Otáčením **[Tune/Select]** vyberte uloženou stanici, kterou chcete poslouchat. Potvrďte stisknutím tlačítka **[Tune/Select]**.

Zobrazit informace o kanálech: Stisknutím tlačítka **[Menu/Info]** zobrazíte různé formy informací o přehrávané stanici.

Nastavení DAB:

V režimu DAB stiskněte a podržte tlačítko **[Menu/Info]** pro vstup do nabídky nastavení. Otáčením **[Tune/Select]** můžete vybrat následující vlastnosti:

- Full scan: Automatické kompletní vyhledávání/skenování stanic DAB. Po dokončení začne přístroj automaticky přehrávat první nalezenou stanici.
- Manual tune: Umožňuje ruční naladění stanice DAB. Otáčením **[Tune/Select]** změňte frekvenci. Stisknutím tlačítka **[Tune/Select]** potvrďte a přehrajte.
- DRC (Dynamic Range Control): Při poslechu hudby s vysokým dynamickým rozsahem v hlučném prostředí můžete dynamický rozsah zvuku komprimovat. Otáčením a stisknutím tlačítka **[Tune/Select]** vyberte možnost off/high/low hlasitost.
- Prune: Umožňuje vymazat neplatné/nedostupné stanice. Otáčením a stisknutím tlačítka **[Tune/Select]** vyberte yes/no.
- System: Stejně jako v nabídce "Nastavení systému".

FM

Chcete-li přijímat běžné stanice FM, umístěte rádio blízko okna a odviňte anténu, abyste dosáhli nejlepšího příjmu. Někdy může být pro zlepšení příjmu nutné upravit směr antény.

Stisknutím tlačítka **[Mode]** vyberte režim FM. Stiskněte a podržte tlačítko **[Scan/Play]**, rádio začne vyhledávat stanice. Na displeji se zobrazí "Auto Scanning...". Zařízení bude automaticky vyhledávat dostupné stanice. Po dokončení skenování začne rádio automaticky přehrávat první nalezenou stanici. Pokud příjem není takový, jaký si přejete, použijte knoflík **[Tune/Select]** k ručnímu doladění frekvence.

Předvolba stanice: Při přehrávání v režimu FM stiskněte a podržte tlačítko **[Preset/Repeat]**. Otáčením **[Tune/Select]** vyberte požadovaný slot předvolby (1-30), stisknutím **[Preset/Repeat]** uložte. Na displeji se zobrazí "Preset # Stored" (Předvolba č. uložena).

Stisknutím tlačítka **[Preset/Repeat]** vyvoláte paměť. Otáčením **[Tune/Select]** vyberte uloženou stanici, kterou chcete poslouchat. Potvrďte stisknutím tlačítka **[Tune/Select]**.

Zobrazit informace o kanálech: Stisknutím tlačítka **[Menu/Info]** zobrazíte různé formy informací o přehrávané stanici.

Nastavení FM:

V režimu FM stiskněte a podržte tlačítko **[Menu/Info]** pro vstup do nabídky nastavení. Otáčením **[Tune/Select]** můžete vybrat následující vlastnosti:

- Auto scan: Spustí automatické vyhledávání stanic.
- Scan setting: Umožňuje zvolit mezi skenováním všech stanic nebo pouze silných stanic.
- Audio setting: Umožňuje zvolit mezi povoleným stereofonním přehráváním nebo vynuceným monofonním přehráváním.
- System: Stejně jako v nabídce "Nastavení systému".

GRAMOFONOVÝ PŘEHRÁVAČ

- Stisknutím tlačítka **[Mode]** vyberte režim gramofonu.
- Umístěte desku na gramofon. V případě potřeby umístěte na vřeteno desky také adaptér 45 otáček.
- Přepínačem rychlosti zvolte požadovanou rychlost přehrávání (33, 45 nebo 78 otáček za minutu).
- Zapnutí jednotky.
- Ujistěte se, že je ze stylusu sejmutý ochranný kryt.
- Odemkněte tónové rameno uvolněním svorky tónového ramene.
- Zvedněte rameno pomocí páky tónovacího ramene.
- Umístěte hrot vertikálně nad první stopu desky, gramofon se začne automaticky otáčet.
- Pomalu spouštějte stylus na desku pomocí páčky tónového ramene a přehrávejte.
- Když se záznam blíží ke konci, gramofon se automaticky zastaví, pokud je spínač automatického zastavení v poloze ON. Pokud je přepínač v poloze vypnuto, bude se točit, dokud nebude přepínač nastaven do polohy ON.
* Některé vinylové desky se zastaví před koncem nebo se po dosažení konce nezastaví. V takovém případě nastavte možnost Auto-stop na OFF.
- Po dokončení zvedněte tónové rameno a položte jej na opěrku, vždy pomocí páčky tónového ramene.
- Uzamkněte tónové rameno zavřením spony tónového ramene.
- Znovu nasadte kryt stylusu.
- Vypněte napájení.

BT PLAYBACK

Než je možný přenos mezi vašim BT zařízením a rádiem, musí být obě zařízení propojena. Tento proces se nazývá „párování“. Rádio slouží jako přijímač pro příjem hudebního proudu přehrávaného v rádiu. Pokud jste se již dříve připojili k zařízení BT, toto připojení se automaticky obnoví, když budou obě zařízení v dosahu a na rádiu byl zvolen provoz BT. "Párování" se nemusí opakovat. Tuto funkci však může být nutné aktivovat ve vašem BT zařízení.

- Stiskněte tlačítko **[Mode]**, dokud se na displeji nezobrazí "BT".
- Zapněte v zařízení streamování BT. Zařízení vyhledá spárovatelná zařízení BT v dosahu příjmu.
- V seznamu nalezených zařízení vyberte "Audizio Tulsa".
- Spustte přehrávání na zařízení BT. Přehrávání nyní probíhá vysláním zvuku z rádia.

AUX IN

Hudbu uloženou v jiném audio zařízení nebo chytrém telefonu můžete poslouchat prostřednictvím rádia, a to prostřednictvím připojení ke konektoru aux-in 3,5 mm na přední straně. Použijte kabel s 3,5 mm kolíky na obou koncích, jeden konec připojte ke konektoru aux-in na rádiu, druhý konec připojte ke konektoru pro sluchátka na audio zařízení (nebo k zásuvce line out, je-li k dispozici). Stiskněte tlačítko **[Mode]** a vyberte režim AUX, stiskněte tlačítko **[Tune/Select]** pro potvrzení a vstup. Přehrávejte hudbu na připojeném zařízení, zvuk bude vydáván z rádia.

USB/SD

Přehrávání: Vložte USB disk nebo SD (TF) kartu do příslušného slotu. Na displeji se zobrazí "Please wait" (Čekejte, prosím) a poté "USB" nebo "TF", v závislosti na zvolené metodě. Zařízení automaticky zahájí přehrávání souborů. Otáčením tlačítka **[Tune/Select]** vyberte předchozí/následující skladbu. Stisknutím tlačítka **[Scan/Play]** (znovu)spustíte/pozastavíte přehrávání. Stisknutím tlačítka **[Preset/Repeat]** vyberte režim opakování (One-All-Random).

Záznam:

- Vložte jednotku USB nebo kartu SD(TF) do příslušného slotu.
- Stisknutím tlačítka **[Mode]** vyberte zdroj hudby, který chcete nahrávat.
- Stiskněte tlačítko **[Record]**, dokud na displeji nezačne blikat "REC". Zařízení nyní začne nahrávat.
- Chcete-li nahrávání zastavit, stiskněte tlačítko **[Record]**, dokud z displeje nezmizí nápis "REC".
- Po nahrávání stiskněte tlačítko **[Playback]** pro přehrávání nahraných souborů z USB nebo SD.

NASTAVENÍ ALARMU

Chcete-li nastavit nebo změnit budík 1 nebo 2, stiskněte a podržte tlačítko **[Alarm]**. Zvolte "Alarm 1 info" nebo "Alarm 2 info" a stiskněte **[Tune/Select]**.

Nastavení alarmu vás vyzve k zadání následujících parametrů. Otáčením knoflíku **[Tune/Select]** vyberte hodnotu pro každý parametr a stisknutím tlačítka **[Tune/Select]** potvrďte a zobrazte další parametr.

- Alarm: Volba zapnutí/vypnutí budíku.
- Frequency: Denně, Všední dny, Víkendy, Jednou.
- Wake up time: Nastavte hodnoty hodin a minut. Otáčením knoflíku **[Tune/Select]** vyberte hodnotu pro každý parametr a stisknutím tlačítka **[Tune/Select]** potvrďte a zobrazte další parametr.
- Source: Buzzer, DAB nebo FM.
Pokud je "SOURCE" stejný jako aktuální režim přehrávání, použije se bzučák.
- Duration: Vyberte si mezi 15, 30, 45, 60, 90 a 120 minutami.
- Volume: Otáčením **[Tune/Select]** vyberte požadovanou hlasitost budíku.

Snooze: Stisknutím tlačítka **[Tune/Select]** můžete budík po zahájení zvonění odložit. Další budík pak zazní o 5 minut později. Stisknutím tlačítka **[Alarm]**, **[Mode]** nebo **[Power]** během zvuku budíku jej vypnete.

NASTAVENÍ SYSTÉMU

Stisknutím a podržením tlačítka **[Menu/Info]** vyvoláte nabídku systémových nastavení. Otáčením tlačítka **[Tune/Select]** vyberte položku "System" (Systém) a stisknutím tlačítka **[Tune/Select]** potvrďte volbu a vstupte do podnabídky. Otáčením tlačítka **[Tune/Select]** vyberte v podnabídce následující možnosti a potvrďte stisknutím tlačítka **[Tune/Select]**. Poznámka: Během nastavování se stisknutím tlačítka **[Menu/Info]** vrátíte do předchozí nabídky a otáčením tlačítka **[Tune/Select]** procházíte různými podnabídkami nastavení. Stisknutím tlačítka **[Tune/Select]** potvrďte aktuální nastavení.

Time

Set time and date: Stisknutím tlačítka **[Tune/Select]** procházejte vlastnosti hodiny, minuty, dne, měsíce a roku. Otáčením **[Tune/Select]** nastavte a stisknutím **[Tune/Select]** potvrďte aktualizaci hodnoty.

Auto update: Spustí automatickou aktualizaci času a data (možnosti: aktualizace z libovolného, aktualizace z DAB, aktualizace z FM, žádná aktualizace).

Set 12/24 hour format: Volba mezi 24hodinovým a 12hodinovým nastavením.

Set date format: Vyberte si mezi DD-MM-YYYY nebo MM-DD-YYYY.

Language

Výběr preferovaného jazyka systému.

Backlight

Nastavení hodnoty podsvícení. Vyberte si mezi vysokou, střední a nízkou hodnotou.

Sleep timer

Zařízení se po uplynutí nastavené doby automaticky přepne do pohotovostního režimu.

Můžete si vybrat mezi vypnutím, 15-, 30-, 60-, 90- a 120minutovým režimem spánku.

Equalizer

Změna nastavení zvuku mezi různými přednastavenými zvukovými profily.

Můžete si vybrat mezi normálním, jazzovým, populárním, klasickým a rockovým zvukem.

Factory reset

Poznámka: Zahájením obnovení továrního nastavení se odstraní všechny předvolby, uložené stanice, alarmy a všechny ostatní možnosti se vrátí na výchozí nastavení.

Otáčením a stisknutím tlačítka **[Tune/Select]** vyberte možnost "Yes". Přístroj bude resetován na tovární nastavení. Pokud nechcete obnovit tovární nastavení, vyberte možnost "No".

Software version

Vstupem do této podnabídky zjistíte aktuálně nainstalovanou verzi softwaru zařízení.

**TECHNICAL SPECIFICATION / TECHNISCHE SPECIFICATIE / TECHNISCHE DATEN /
SPECIFICACIONES TÉCNICAS / SPÉCIFICATIONS TECHNIQUES / SPECYFIKACJA
TECHNICZNA / TECHNICKÁ SPECIFIKACE**

Playback options	: BT 5.0 streaming, DAB+ tuner, FM radio, MicroSD, USB
Input connections	: 3.5mm Jack, MicroSD, USB
Output connections	: RCA
Speed settings (RPM)	: 33, 45, 78
Output power	: 60W
Power supply	: 100-240VAC 50/60Hz (5V Adapter)
Dimensions (L x W x H)	: 295 x 360 x 135mm
Weight	: 2,25

The specifications are typical. The actual values can slightly change from one unit to the other. Specifications can be changed without prior notice.

The products referred to in this manual conform to the European Community Directives to which they are subject:

European Union

Tronios B.V.,
Bedrijvenpark Twente Noord 18,
7602KR Almelo, The Netherlands

2014/35/EU
2014/30/EU
2011/65/EC
2014/53/EU



United Kingdom

Tronios Ltd.,
130 Harley Street,
London W1G 7JU, United Kingdom

S.I. 2016:1101
S.I. 2016:1091
S.I. 2012:3032
S.I. 2017:1206



Specifications and design are subject to change without prior notice.

www.audizio.com

Copyright © 2023 by Tronios The Netherlands