



TS03 Adjustable Table Stand

Ref. nr.: 188.020



INSTRUCTION MANUAL

V1.0

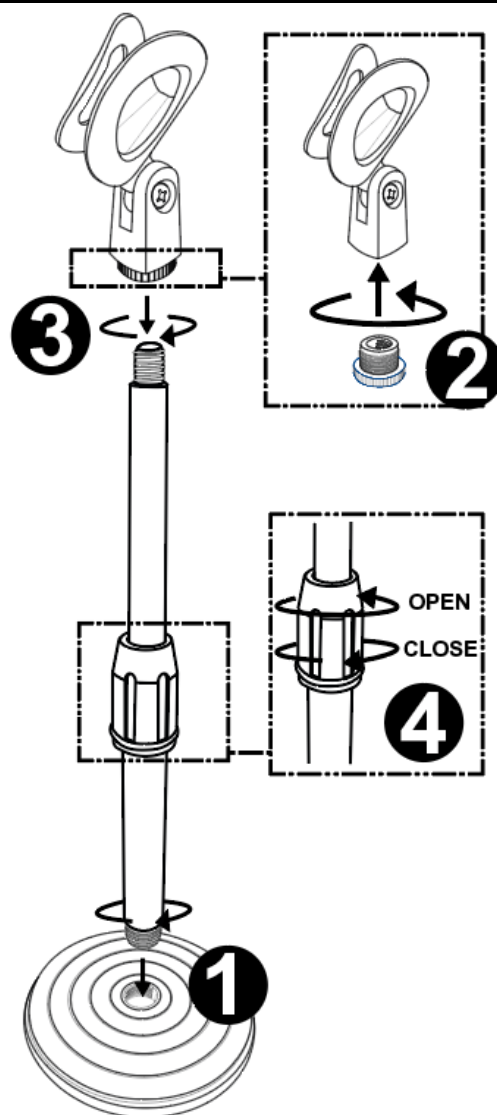
Congratulations to the purchase of this Vonyx product. Please read this manual thoroughly prior to using the product in order to benefit fully from all features. Keep the manual for future reference.

UNPACKING INSTRUCTION

Carefully unpack the box upon receipt. Check the contents to ensure that all parts are present and have been received in good condition. Notify the shipper immediately and retain packaging material if any parts appear damaged from shipping or the package itself shows signs of mishandling. Save the package and all packaging materials. If the product must be returned, it is important that the product is returned in the original factory box and packaging.

STAND ASSEMBLY INSTRUCTIONS

1. Position the base of the stand on to, for example, a tabletop.
Attach the telescopic linkage to the stand base. Turn clockwise to tighten.
2. Make sure the adapter has been inserted into the microphone holder. Turn counter-clockwise to tighten.
3. Attach the microphone holder to the telescopic linkage. Turn clockwise to tighten.
4. Adjust the height of the arm to your preferred height. Turn counter-clockwise to open, turn clockwise to close.



SPECIFICATIONS

Material	: ABS
Dimensions folded	: 115 x 115 x 315mm
Minimal height	: 235mm
Maximum height	: 315mm
Weight	: 0,30kg

Specifications and design are subject to change without prior notice.

www.tronios.com

Copyright © 2022 by Tronios The Netherlands