

# **F** FENTON

## **NASHVILLE Vintage Player**

Ref. nr.: 102.189



**INSTRUCTION MANUAL  
GEBRUIKSAANWIJZING  
BEDIENUNGSANLEITUNG  
MANUAL DE INSTRUCCIONES  
MANUEL D'INSTRUCTIONS**

Congratulations to the purchase of this Fenton product. Please read this manual thoroughly prior to using the unit in order to benefit fully from all features.

Read the manual prior to using the unit. Follow the instructions in order not to invalidate the warranty. Take all precautions to avoid fire and/or electrical shock. Repairs must only be carried out by a qualified technician in order to avoid electrical shock. Keep the manual for future reference.

- Prior to using the unit, please ask advice from a specialist. When the unit is switched on for the first time, some smell may occur. This is normal and will disappear after a while.
- The unit contains voltage carrying parts. Therefore, do NOT open the housing.
- Do not place metal objects or pour liquids into the unit. This may cause electrical shock and malfunction.
- Do not place the unit near heat sources such as radiators, etc. Do not place the unit on a vibrating surface. Do not cover the ventilation holes.
- The unit is not suitable for continuous use.
- Be careful with the mains lead and do not damage it. A faulty or damaged mains lead can cause electrical shock and malfunction.
- When unplugging the unit from a mains outlet, always pull the plug, never the lead.
- Do not plug or unplug the unit with wet hands.
- If the plug and/or the mains lead are damaged, they need to be replaced by a qualified technician.
- If the unit is damaged to such an extent that internal parts are visible, do NOT plug the unit into a mains outlet and DO NOT switch the unit on. Contact your dealer. Do NOT connect the unit to a rheostat or dimmer.
- To avoid fire and shock hazard, do not expose the unit to rain and moisture.
- All repairs should be carried out by a qualified technician only.
- Connect the unit to an earthed mains outlet (220-240Vac/50Hz) protected by a 10-16A fuse.
- During a thunderstorm or if the unit will not be used for a longer period of time, unplug it from the mains. The rule is: Unplug it from the mains when not in use.
- If the unit has not been used for a longer period of time, condensation may occur. Let the unit reach room temperature before you switch it on. Never use the unit in humid rooms or outdoors.
- To prevent accidents in companies, you must follow the applicable guidelines and follow the instructions.
- Do not repeatedly switch the fixture on and off. This shortens the lifetime.
- Keep the unit out of the reach of children. Do not leave the unit unattended.
- Do not use cleaning sprays to clean switches. The residues of these sprays cause deposits of dust and grease. In case of malfunction, always seek advice from a specialist.
- Do not force the controls.
- This unit is with speaker inside which can cause magnetic field. Keep this unit at least 60cm away from computer or TV.
- If this product has a built-in lead-acid rechargeable battery. Please recharge the battery every 3 months if you are not going to use the product for a long period of time. Otherwise the battery may be permanently damaged.
- If the battery is damaged, please replace with same specifications battery. And dispose the damaged battery environment friendly.
- If the unit has fallen, always have it checked by a qualified technician before you switch the unit on again.
- Do not use chemicals to clean the unit. They damage the varnish. Only clean the unit with a dry cloth.
- Keep away from electronic equipment that may cause interference.
- Only use original spares for repairs, otherwise serious damage and/or dangerous radiation may occur.
- Switch the unit off prior to unplugging it from the mains and/or other equipment. Unplug all leads and cables prior to moving the unit.
- Make sure that the mains lead cannot be damaged when people walk on it. Check the mains lead before every use for damages and faults!
- The mains voltage is 220-240Vac/50Hz. Check if power outlet match. If you travel, make sure that the mains voltage of the country is suitable for this unit.
- Keep the original packing material so that you can transport the unit in safe conditions.



This mark attracts the attention of the user to high voltages that are present inside the housing and that are of sufficient magnitude to cause a shock hazard.



This mark attracts the attention of the user to important instructions that are contained in the manual and that he should read and adhere to.

The unit has been certified CE. It is prohibited to make any changes to the unit. They would invalidate the CE certificate and their guarantee!

**NOTE:** To make sure that the unit will function normally, it must be used in rooms with a temperature between 5°C/41°F and 35°C/95°F.



Electric products must not be put into household waste. Please bring them to a recycling centre. Ask your local authorities or your dealer about the way to proceed. The specifications are typical. The actual values can slightly change from one unit to the other. Specifications can be changed without prior notice.

*Do not attempt to make any repairs yourself. This would invalid your warranty. Do not make any changes to the unit. This would also invalid your warranty. The warranty is not applicable in case of accidents or damages caused by inappropriate use or disrespect of the warnings contained in this manual. Fenton cannot be held responsible for personal injuries caused by a disrespect of the safety recommendations and warnings. This is also applicable to all damages in whatever form.*

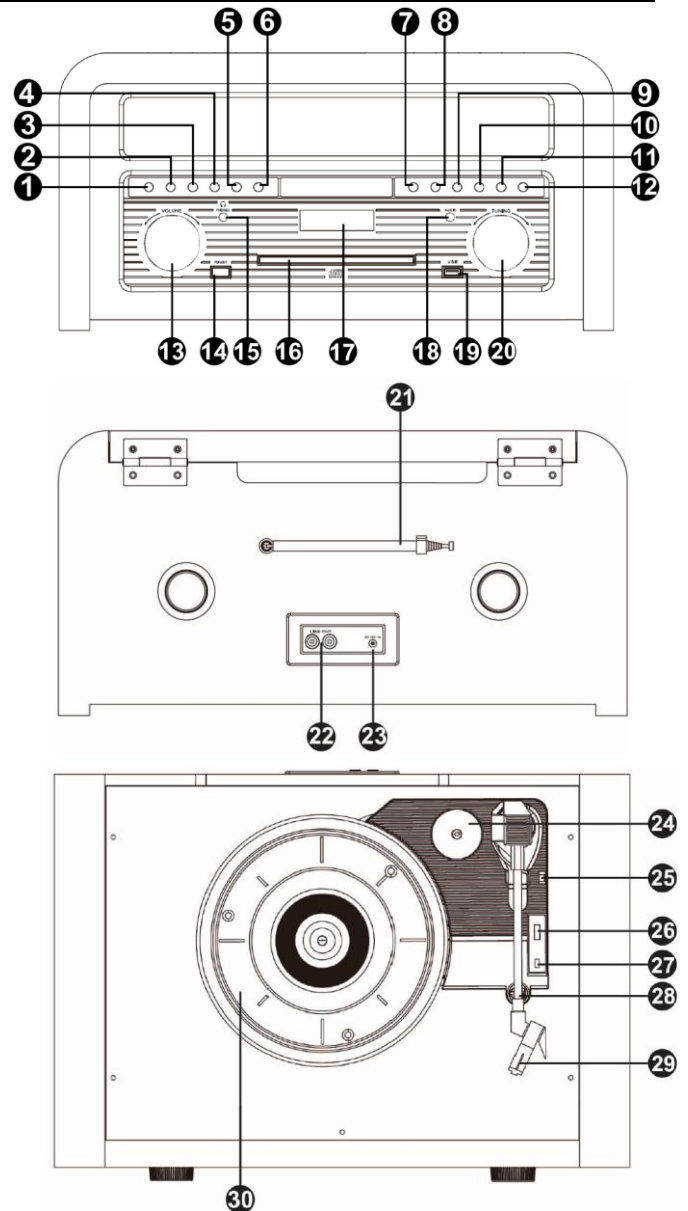
## UNPACKING INSTRUCTION

**CAUTION!** Carefully unpack the box upon receipt. Check the contents to ensure that all parts are present and have been received in good condition. Notify the shipper immediately and retain packaging material if any parts appear damaged from shipping or the package itself shows signs of mishandling. Save the package and all packaging materials. If the product must be returned, it is important that the product is returned in the original factory box and packaging.

If the device has been exposed to drastic temperature fluctuation (e.g. after transportation), do not switch it on immediately. The arising condensation water might damage your device. Leave the device switched off until it has reached room temperature.

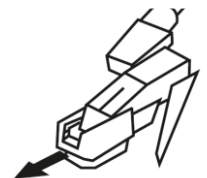
## OVERVIEW

1. CD/USB
2. Program
3. Repeat/Preset
4. Random/Alarm
5. USB Rec
6. Standby/On
7. Open/Close / Menu/Info
8. STOP/Scan/Snooze
9. ◀ Preset Stations -/Previous
10. Enter/Play
11. ▶ Preset Stations +/Next
12. Mode
13. Volume Control
14. Power On/Off
15. Headphones Jack
16. CD Player
17. LCD Display
18. AUX Input Jack
19. USB Port
20. Tuning Knob
21. FM Antenna
22. External Device Output Jack
23. DC IN
24. 45RPM Adapter
25. Lift Lever
26. Speed Selector (33/45/78)
27. AUTO STOP
28. Tone Arm Rest
29. Cartridge
30. Platter



## OPERATION

1. Connect the record player with the power adapter and plug the other end into a wall power outlet.
2. Remove white protective needle cover by gently pulling towards the front of the unit.
3. Place a vinyl record on the turntable platter and select the desired speed (33/45/78RPM) according to the record.
4. Open the tone arm clip to release the tone arm. Gently move the tone arm and put the cartridge onto the desired position of the record and the turntable player starts to play.
5. Turn the volume control knob clockwise to adjust the volume.



**Noted:** If the AUTO STOP ON/OFF Switch is turned ON, the record will stop automatically when finished. If Auto Stop Control is turned OFF, record will NOT stop automatically when finished.

## SETUP MENU

---

### Navigating the setup menu

1. In FM or DAB mode, press **MENU/INFO** to enter the setup menu.
2. Rotate the **TUNING** knob to scroll to one of the available options.
3. Press the **ENTER** button to enter the chosen setup sub-menu.

### DAB+ Setting menu

Full scan – This function allows you to automatically scan and create a list of receivable DAB+ broadcasts.

Manual – This function can be used to obtain the optimum reception for a specific channel or frequency.

### DRC (Dynamix Range Compression)

DRC can make quieter sounds easier to hear when the unit is used in a noisy environment. Rotate the **TUNING** knob to select your desired DRC level: off, low, high.

### Prune – Remove stations

Remove stations that are listed but unavailable. This function can remove all invalid stations indicated in the station list with a “?” in front of the station name.

### System

Choose to select the system settings options: Sleep, Alarm, Time, Language, Factory Reset, Software Upgrade, Software Version.

**Sleep** - Enter the sleep function.

**Alarm** - To adjust the alarm function.

**Time** - To adjust the time and date setting.

**Language** - To select the desired language of the unit's menu.

**Factory Reset** - To clear all users defined settings. When you enter factory reset mode, rotate the **TUNING** knob to select “YES”. Press the **ENTER** button to confirm to restore to factory default settings. Select “NO” to cancel this selection.

**SW Version** - Displays the current software version.

### FM Setting Menu

#### Scan Settings

Strong stations: The automatic search function only selects strong stations.

All stations: The automatic search selects any available station.

#### Audio Settings

To choose between “Stereo or mono” and “forced mono” for the FM radio.

#### System

Please refer to the DAB system setup mode.

## SETTING THE TIME AND DATE

---

The first time you listen to DAB radio, the time and date of your product will be synchronized automatically to the DAB service, so there is no need to set the time and date manually.

If you wish to set the time and date manually, turn on the radio and follow the steps as below:

1. Press and hold the **MENU/INFO** button in DAB or FM mode.
2. Rotate the **TUNING** knob to scroll to “System”. Press the **ENTER** button to enter this option.
3. Rotate the **TUNING** knob to scroll to “Time”. Press the **ENTER** button to enter this option.  
“Set Time/Date” is displayed, the hour digits will flash. Use the **TUNING** knob to set the hour. Press the **ENTER** button to confirm the hours.
4. The minute digits will now flash. Use the **TUNING** knob to set the minutes. Press the **ENTER** button to confirm.
5. “Set date” is displayed and the day will flash. Use the **TUNING** knob and **ENTER** button to set the day, month and year.
6. Confirm the date. “Time saved” is displayed, the display returns to “set/time/date”.

You can use the **TUNING** knob and **ENTER** button to setup the following:

**SET TIME FORMAT:** 12/24 hour clock display;

**SET DATE FORMAT:** DD-MM-YYY or MM-DD-YYY;

**AUTO UPDATE:** Auto update the time from the DAB signal, FM signal, Any (DAB or FM signal).

## LISTEN TO FM RADIO

---

When the unit is on, press the **MODE** button until “FM” appears on the display to select the FM mode.

### Manual search

Choose your radio station by turning the **TUNING** knob or pressing the ◀/▶ buttons.

### Automatic search

Long press the ◀/▶ buttons, the radio will automatically search a previous/next station and stop at a station with strong enough signal.

### Preset stations

This unit can store up to 20 FM and 20 DAB/DAB+ stations.

1. Press **MODE** (repeatedly) to select FM or DAB/DAB+ mode.
2. Select a radio station.
3. Press and hold **PRESET** to enter the preset store mode.
4. Use the **TUNING** knob to select a channel slot.
5. Press **ENTER** to store the station. The selected station will be saved automatically after a few seconds if no further input is registered. “Stored” will be displayed in either case.
6. Repeat step 1-5 to store other stations.

### Listening to radio pre-sets

1. Press **MODE** to select FM or DAB/DAB+.
2. Press **PRESET**, then press the ◀/▶ buttons to select your desired station.
3. Press **ENTER** to confirm your choice.

## DAB/DAB+ RADIO

---

1. Press **MODE** until "DAB" appears on display to select the DAB mode.
2. The unit will start a scan for DAB/DAB+ stations automatically, if it's the first time of use. "Scanning" will appear on the display.
3. When the scan is complete, the unit will select the first available station and will start to play automatically. Stations will be listed in numerical and then alphabetical order by default.

**Note:** When the DAB/DAB+ radio station list is stored, it will not search automatically again.

Press **SCAN** to search and list station.

4. Rotate the **TUNING** knob to select a station.
5. When the desired station is chosen, press **ENTER** to confirm. There will be a short delay while your radio tunes into your selected station.

Note:

- If no broadcasts are found by DAB/DAB+ scan, "No DAB Station" appears on the display.
- For a better reception, extend the telescopic antenna.
- During the search operation, the sound level is automatically muted.

## ALARM/SLEEP SETTINGS

---

### Setting the alarm

1. Press **MENU/INFO** in DAB or FM mode.
2. Rotate the **TUNING** knob to select <System>. Press **ENTER** to enter this option.  
Rotate the **TUNING** knob to select <Alarm>, Press **ENTER** to enter this option.  
Or, press the **ALARM** button in STANDBY mode.
3. Rotate the **TUNING** knob to scroll between <Alarm 1 Setup> and <Alarm 2 Setup>.
4. Press the **ENTER** button to select the <Alarm 1 set up>.
5. The hour digits will flash. Use the **TUNING** knob to set the hour. Press the **ENTER** button to confirm.  
Now the minute digits will flash. Use the **TUNING** knob to set the minutes. Press the **ENTER** button to confirm.
6. Rotate the **TUNING** knob to set the duration of the alarm (15-30-45-60-90), press **ENTER** to confirm. When the duration of alarm has been reached, the alarm will stop.
7. Rotate the **TUNING** knob to select Buzzer, DAB or FM to wake up to. Press **ENTER** to confirm.
8. Rotate the **TUNING** knob to specify one of the following alarm frequency options: "Daily", "Once", "Weekends" and "Weekdays". Press **ENTER** to confirm. Then adjust the volume level.
9. The alarm status will be showed. Rotate the **TUNING** knob to set the alarm, press **ENTER** to confirm. "Alarm saved" will show on the display.

### Stopping the alarm

1. Alarm repetition  
Press **SCAN**. The alarm stops and will sound again 9 minutes later (snooze).
2. Alarm stop  
Press **STANDBY/ON** to stop the alarm.
3. Alarm cancellation  
Please refer to 1-9 steps of "setting the alarm".

### Sleep function

1. Press **MENU/INFO**. Rotate the **TUNING** knob to select "system" and press **ENTER** to confirm this option.
2. Rotate the **TUNING** knob to select "sleep". Press **ENTER** to confirm this option.
3. Rotate the **TUNING** knob to set the sleep timer (off-15-30-45-60-90 minutes).
4. Press **ENTER** to confirm.

## LISTENING TO THE CD DISC/MP3

---

1. When the unit is on, press **CD/USB** button or **MODE** button until "CD" appears on display to select the CD mode.
2. Press **OPEN/CLOSE** button to open the disc tray, the display shows "OPEN". Insert a disc with label side facing up. Press **OPEN/CLOSE** button again to close the disc tray.
3. The display will show "CD--READING" for a few seconds, then playback starts automatically.
4. Select desired track with **PREV/NEXT** button.
5. Press **PLAY** to suspend playback momentarily. Press **PLAY** again to resume playback.
6. Press **STOP** to stop playback.

### Repeat playback

Press **REPEAT** to select one of the following playback modes: Single repeat, repeat album or repeat all.

### Random playback

Press **RANDOM** to play randomly, press **RANDOM** again to cancel.

## RECORDING THE CD/MP3

---

### Recording

1. Insert the USB stick/cable into the USB port (make sure that the USB stick is fat32 formatted).
2. Follow the same procedures as with the "Listening to the CD disc/MP3" section. Press **USB/REC** (the "REC ONE" icon appears on the display).
3. Press the **PREV/NEXT** buttons to select ONE (single song recording), FOLDER (mp3 disc only), or ALL (complete cd recording) to record.

### Single song recording:

Select ONE, "ONE" icon appears on the display. Press the **USB/REC** button to confirm recording the current song. The display will show "Please wait..." for a few seconds, then the "REC" icon will flash on the display.

Press the **STOP** button to stop recording or wait for the unit to stop automatically when the song is finished. The display will show "End recording".

### Folder recording (MP3):

Select FOLDER, "FOLD" icon appears on the display. Press the **USB/REC** button to confirm recording the folder. The display will show "Please wait..." for a few seconds, then the "REC" icon will flash on the display.

Press the stop button to stop recording or wait for the unit to stop automatically when the folder is finished. The display will show "End recording".

### Whole CD Recording:

Select ALL, "ALL" icon appears on the display. Press the **USB/REC** button to confirm recording the CD. The display will show "Please wait..." for a few seconds, then the "REC" icon will flash on the display.

Press the stop button to stop recording or wait for the unit to stop automatically when the CD is finished. The display will show "End recording".

4. To listen to the recording, repeatedly press **CD/USB** or **MODE** to select the USB mode. The USB indicator appears on the display. Press the **PREV/NEXT** buttons to select the desired recording.

## LISTENING TO PHONO

---

1. When the unit is on, press **MODE** until the PHONO indicator appears on display to select the phono mode.
  2. Remove the stylus cover from the stylus and release the Tone arm rest
  3. Place a record on the turntable platter and select the desired speed (33/45/78) according to the record.
- NOTE:** If you are playing 45RPM records, place the 45 RPM adapter on the center spindle.
4. Push up the lift lever to raise the tone arm and gently move the tone arm to the desired position over the record. Push down the lift lever, move the tone arm slowly onto the record to start playing.
  5. Adjust the volume control to your desired level.
  6. If the AUTO STOP ON/OFF Switch is turned ON, the record will stop automatically when playback ends. If Auto Stop switch is turned OFF, record will NOT stop automatically when playback ends.

**Remark:** Certain types of records may have an auto-stop area outside the preset limit, so the turntable may stop before the last track finishes, or before the record has finished. If this occurs, set the auto-stop switch in the "OFF" position.

## RECORDING THE PHONO

---

1. Insert the USB stick/cable in to the USB port (make sure that the USB stick is fat32 formatted).
2. Follow the same procedures as with the "listening to the phono" section. Press the **USB/REC** button (the "REC" icon appears on the display). The display will show "Please wait..." for a few seconds, then the "REC" icon will flash on the display. The unit will start recording.
3. Press **STOP** to stop recording, "End recording" will appear on the display.
4. To listen to the recording, repeatedly press the **CD/USB** or **MODE** button to select the USB mode. The USB indicator appears on the display. Press the **PREV/NEXT** buttons to select the latest file on the USB-drive to play.

## AUX IN

---

1. Connect your auxiliary source (e.g. mp3 player) to the AUX IN jack (3.5mm) located on the front of the record player. (cable not included)
2. Press **MODE** until "AUX" appears on the display to select the AUX mode.
3. Start playback on your auxiliary source.
4. Adjust the volume to desired level.

## RECORDING THE AUX IN

---

1. Insert the USB stick/cable in to the USB port (make sure that the USB stick is fat32 formatted).
2. Follow the same procedures as with the "Aux in" section. Press the **USB/REC** button (the "REC" icon appears on the display). The display will show "Please wait..." for a few seconds, then the "REC" icon will flash on the display. The unit will start recording.
3. Press **STOP** to stop recording, "End recording" will appear on the display.
4. To listen to the recording, repeatedly press the **CD/USB** or mode button to select the USB mode. The USB indicator appears on the display. Press the **PREV/NEXT** buttons to select the latest file on the USB-drive to play.

## PLAYING FROM USB DRIVE

---

1. Connect a USB device containing MP3 files or MP3 player to the USB port (make sure that the usb device is fat32 formatted).
2. Press **CD/USB** or **MODE** until the USB indicator appears on display to select the USB mode.
3. Adjust the volume to the desired level.
4. Select desired track with **PREV/NEXT** button.
5. Press **PLAY** to play/pause playback.
6. Press **STOP** to stop playback.

### Repeat playback:

Press **REPEAT** to select one of the following playback modes: single repeat, repeat album or repeat all.

### Random playback

Press **RANDOM** to play randomly, press **RANDOM** again to cancel.

### Removing the USB Device

Make sure to stop playback and turn the unit OFF before removing the USB device to avoid damaging the USB drive and record player.

## PLAYING VIA BT

---

1. Press the **MODE** button to enter the BT mode.(BT mode will appear on the display)
2. Select "**Fenton recordplayer**" on your BT device and pair. A sound will be emitted to confirm the pairing is successful.



Attention: BT distance is approx. 10meter without any barrier.

## RECORDING BT

---

1. Insert the USB stick/cable in to the USB port (make sure that the USB stick is fat32 formatted).
2. Follow the same procedures as with the "Playing via BT" section. Press the **USB/REC** button (the "REC" icon appears on the display). The display will show "Please wait..." for a few seconds, then the "REC" icon will flash on the display. The unit will start recording.
3. Press **STOP** to stop recording, "End recording" will appear on the display.
4. To listen to the recording, repeatedly press the **CD/USB** or mode button to select the USB mode. The USB indicator appears on the display. Press the **PREV/NEXT** buttons to select the latest file on the USB-drive to play.

Hartelijk dank voor de aanschaf van dit Fenton product. Neemt u a.u.b. een paar momenten de tijd om deze handleiding zorgvuldig te lezen, aangezien wij graag willen dat u onze producten snel en volledig gebruikt.

Lees deze handleiding eerst door alvorens het product te gebruiken. Volg de instructies op anders zou de garantie wel eens kunnen vervallen. Neem ook altijd alle veiligheidsmaatregelen om brand en/of een elektrische schok te voorkomen. Tevens is het ook raadzaam om reparaties / modificaties e.d. over te laten aan gekwalificeerd personeel om een elektrische schok te voorkomen. Bewaar deze handleiding ook voor toekomstig gebruik.

- Bewaar de verpakking zodat u indien het apparaat defect is, dit in de originele verpakking kunt opsturen om beschadigingen te voorkomen.
- Voordat het apparaat in werking wordt gesteld, altijd eerst een deskundige raadplegen. Bij het voor de eerste keer inschakelen kan een bepaalde reuk optreden. Dit is normaal en verdwijnt na een poos.
- In het apparaat bevinden zich onder spanning staande onderdelen; open daarom NOOIT dit apparaat.
- Plaats geen metalen objecten en mors geen vloeistof in het effect. Dit kan leiden tot elektrische schokken of defecten.
- Toestel niet opstellen in de buurt van warmtebronnen zoals radiatoren etc. en niet op een vibrerende onder- grond plaatsen. Dek ventilatieopeningen nooit af.
- Het apparaat is niet geschikt voor continu gebruik.
- Wees voorzichtig met het netsnoer en beschadig deze niet. Als het snoer kapot of beschadigd is, kan dit leiden tot elektrische schokken of defecten.
- Als u de stekker uit het stopcontact neemt, trek dan niet aan het snoer, maar aan de stekker.
- Om brand of elektrische schok te voorkomen, dient u dit apparaat niet bloot te stellen aan regen of vocht.
- Verwijder of plaats een stekker nooit met natte handen resp. uit en in het stopcontact.
- Indien zowel de stekker en/of netsnoer als snoeringang in het apparaat beschadigd zijn dient dit door een vakman hersteld te worden.
- Indien het apparaat zo beschadigd is dat inwendige (onder)delen zichtbaar zijn mag de stekker NOOIT in het stopcontact worden geplaatst en het apparaat NOOIT worden ingeschakeld. Neem in dit geval contact op met de dealer.
- Sluit het apparaat nooit op een dimmer aan.
- Reparatie aan het apparaat dient te geschieden door een vakman of een deskundige.
- Sluit het apparaat alleen aan op een 220-240VAC / 50Hz (geaard) stopcontact, verbonden met een 10-16A meterkastgroep.
- Bij onweer altijd de stekker uit het stopcontact halen, zo ook wanneer het apparaat voor een langere tijd niet gebruikt wordt. Stelregel: Bij geen gebruik stekker verwijderen.
- Als u het apparaat lang niet gebruikt heeft en het weer wil gebruiken kan er condens ontstaan; laat het apparaat eerst op kamertemperatuur komen alvorens het weer in werking te stellen.
- Apparaat nooit in vochtige ruimten en buiten gebruiken.
- Om ongevallen in bedrijven te voorkomen moet rekening worden gehouden met de daarvoor geldende richtlijnen en moeten de aanwijzingen/waarschuwingen worden gevolgd.
- Het apparaat buiten bereik van kinderen houden. Bovendien mag het apparaat nooit onbeheerd gelaten worden.
- Gebruik geen schoonmaakspray om de schakelaars te reinigen. Restanten van deze spray zorgen ervoor dat smeer en stof ophopen. Raadpleeg bij storing te allen tijde een deskundige.
- Gebruik geen overmatige kracht bij het bedienen van het apparaat.
- Dit apparaat kan magnetisch veld veroorzaken. Houd dit apparaat ten minste 60 cm afstand van de computer of tv.
- Indien dit apparaat beschikt over een loodaccu, dient deze tenminste elke 3 maanden opgeladen te worden indien deze voor een langere periode niet wordt gebruikt anders bestaat de kans dat de accu permanent beschadigd.
- Bij een ongeval met dit product altijd eerst een deskundige raadplegen alvorens opnieuw te gebruiken.
- Tracht het apparaat niet schoon te maken met chemische oplossingen. Dit kan de lak beschadigen. Gebruik een droge doek om schoon te maken.
- Blijf uit de buurt van elektronische apparatuur die bromstoringen zouden kunnen veroorzaken.
- Bij reparatie dienen altijd originele onderdelen te worden gebruikt om onherstelbare beschadigingen en/of ontoelaatbare straling te voorkomen.
- Schakel eerst het toestel uit voordat u het netsnoer verwijdert. Verwijder netsnoer en aansluitsnoeren voordat u dit product gaat verplaatsen.
- Zorg ervoor dat het netsnoer niet beschadigd/defect kan raken wanneer mensen erover heen lopen. Het netsnoer vóór ieder gebruik controleren op breuken/defecten!
- In Nederland/België is de netspanning 220-240Vac/50Hz. Indien u reist (en u neemt het apparaat mee) informeer dan naar de netspanning in het land waar u verblijft.



Deze markering wordt weergegeven om u erop attent te maken dat een levensgevaarlijke spanning in het product aanwezig is en dat bij aanraking van deze delen een elektrische schok wordt verkregen.



Deze instructiemarkering wordt weergegeven om u erop te wijzen dat de instructie zeer belangrijk is om te lezen en/of op te volgen.

**OPMERKING:** Om zeker te zijn van een correcte werking, dient u dit apparaat in een ruimte te gebruiken waar de temperatuur tussen de 5°C/41°F en 35°C/95°F ligt.



Raadpleeg eventueel [www.wecycle.nl](http://www.wecycle.nl) en/of [www.vrom.nl](http://www.vrom.nl) v.w.b. het afdanken van elektronische apparaten in het kader van de WEEE-regeling. Vele artikelen kunnen worden gerecycled, gooi ze daarom niet bij het huisvuil maar lever ze in bij een gemeentelijk depot of uw dealer. Lever ook afgedankte batterijen in bij uw gemeentelijk depot of bij de dealer, zie [www.stibat.nl](http://www.stibat.nl)

*Alle (defecte) artikelen dienen gedurende de garantieperiode altijd retour te worden gezonden in de originele verpakking. Voer zelf geen reparaties uit aan het toestel; in elk geval vervalt de totale garantie. Ook mag het toestel niet eigenmachtig worden gemodificeerd, ook in het geval vervalt de totale garantie. Ook vervalt de garantie bij ongevallen en beschadigingen in elke vorm t.g.v. onoordeelkundig gebruik en het niet in acht nemen van het gestelde in deze gebruiksaanwijzing. Tevens aanvaardt Fenton geen enkele aansprakelijkheid in geval van persoonlijke ongelukken als gevolg van het niet naleven van veiligheidsinstructies en waarschuwingen. Dit geldt ook voor gevolgschade in welke vorm dan ook.*

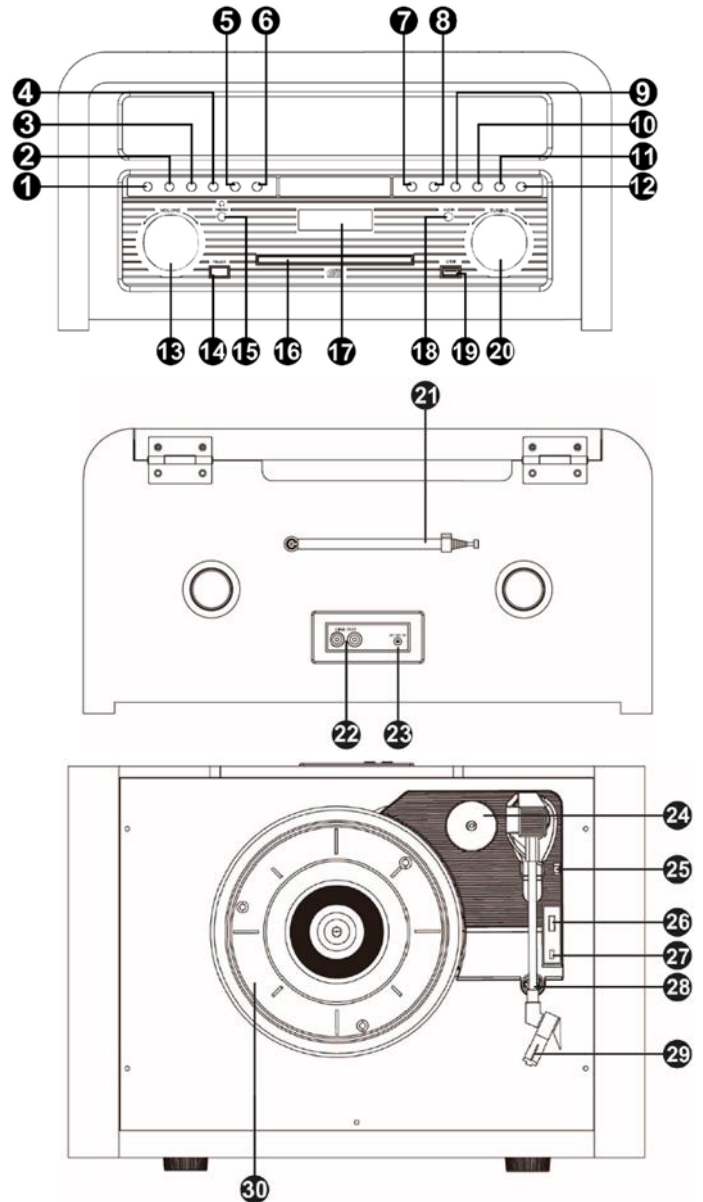


## UITPAKKEN

**LET OP!** Pak na ontvangst de doos zorgvuldig uit. Controleer of alle onderdelen aanwezig- en in goede staat ontvangen zijn. Bij transportschade of bij het ontbreken van onderdelen onmiddellijk de verkopende partij inlichten. Bewaar de verpakking en het verpakkingsmateriaal. Indien het product moet worden teruggestuurd, is het belangrijk dat het product in originele verpakking wordt geretourneerd. Schakel het apparaat niet onmiddellijk in als het apparaat is blootgesteld aan drastische temperatuurverschillen (bv. na het transport). De ontstane condensatie kan het apparaat beschadigen. Zorg ervoor dat het apparaat eerst op kamertemperatuur komt alvorens het aan te sluiten.

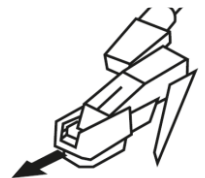
## OVERZICHT

1. CD/USB
2. Program
3. Herhaal/Preset
4. Willekeurig/Alarm
5. USB Rec
6. Stand-by/Aan
7. Openen/Sluiten / Menu/Info
8. STOP/Scan/Snooze
9. ◀ Presetzenders - / Vorige
10. Enter/Afspelen
11. ▶ Presetzenders + / Volgende
12. Modus
13. Volumeregelaar
14. Aan/Uit
15. Hoofdtelefoonuitgang
16. CD-Speler
17. LCD Display
18. AUX-Ingang
19. USB Poort
20. Afstemknop
21. FM-Draadantenne
22. RCA-Uitgang
23. DC IN
24. 45RPM Adapter
25. Lifthendel
26. Keuzeschakelaar Draaisnelheid (33/45/78)
27. AUTO STOP
28. Toonarmsteun
29. Patroon met stylus
30. Draaiplateau



## BEDIENING

1. Sluit de platenspeler aan op de stroomadapter en steek het andere uiteinde in een stopcontact.
2. Verwijder de witte beschermende kap van de cartridge door deze voorzichtig naar de voorkant van het apparaat te trekken.
3. Plaats een vinylplaat op het draaiplateau en selecteer de gewenste snelheid (33/45/78RPM) afhankelijk van de plaat.
4. Open de toonarmklem om de toonarm te ontgrendelen. Beweeg de toonarm voorzichtig en plaats de cartridge op de gewenste positie van de plaat, de platenspeler begint te spelen.
5. Draai de volumeregelpomp om het volume in te stellen.



**Opgelet:** Als de AUTO STOP ON/OFF schakelaar AAN staat, zal de plaat automatisch stoppen als hij klaar is. Als de Autostopregeling UIT staat, zal de opname NIET automatisch stoppen als hij afgelopen is.

## MENUINSTELLINGEN

### Navigeren binnen het setup menu

1. Druk op **MENU/INFO** (In FM of DAB modus) om naar het instellingenmenu te gaan.
2. Draai aan de **AFSTEMKNOP** om naar één van de beschikbare opties te gaan.
3. Druk op de **ENTER** knop om het betreffende instelmenu te openen.

### DAB+ Instellingsmenu

Volledige scan - Met deze functie kunt u automatisch scannen en een lijst maken van DAB+ zenders die kunnen worden ontvangen.

Handmatig - Deze functie kan worden gebruikt om precies af te stemmen (frequentie) voor een optimale ontvangst van een specifiek kanaal.

### DRC (Dynamix Range Compression)

DRC kan ervoor zorgen dat zachtere geluiden beter hoorbaar zijn wanneer het toestel wordt gebruikt in een gehorige omgeving. Draai aan de **AFSTEMKNOP** om het gewenste DRC-niveau te selecteren: uit, laag of hoog.

### Prune - Zenders verwijderen

Verwijder zenders die in de lijst zijn opgenomen maar niet beschikbaar zijn. Deze functie kan alle ongeldige zenders verwijderen die in de zenderlijst zijn aangegeven met een "?" voor de zendernaam.

### Systeem

Systeeminstellingen om aan te passen: Slaap, Alarm, Tijd, Taal, Fabrieksinstellingen/Reset, Software-upgrade, Softwareversie.

**Slaap** - U kunt de slaapfunctie activeren.

**Alarm** - U kunt de alarmfunctie instellen/aanpassen.

**Tijd** - Sub-menu voor het instellen van datum en tijd.

**Taal** - Om de gewenste taal van het toestel te selecteren.

**Fabrieksinstellingen** - Om alle door de gebruiker gedefinieerde instellingen te wissen. Als u de fabrieksinstellingen wilt herstellen, draai dan aan de **AFSTEMKNOP** om "YES" te selecteren en druk op **ENTER** om dit te bevestigen. Draai aan de **AFSTEMKNOP** om "NO" te selecteren en druk op **ENTER** om deze selectie te annuleren.

**SW-versie** - Om de huidige softwareversie weer te geven.

### FM Instellingsmenu

#### Scan-Instellingen

Sterke zenders: De automatische zoekfunctie selecteert alleen sterke (goede ontvangst) zenders.

Alle zenders: De automatische zoekfunctie selecteert alle te ontvangen stations.

#### Audio-Instellingen

Biedt de mogelijkheid om te kiezen tussen "Stereo of mono" en "geforceerde mono" voor de FM-radio.

#### Systeem

Raadpleeg de instellingsmodus van het DAB-systeem.

## INSTELLEN DATUM EN TIJD

---

De eerste keer dat u naar DAB-radio luistert, wordt de tijd- en datuminstelling van uw product automatisch gesynchroniseerd met die van de DAB-dienst (in 24-uurs modus), zodat u de tijd en datum niet handmatig hoeft in te stellen.

Als u de tijd en datum handmatig wilt instellen, volgt u de onderstaande stappen:

1. Houd de **MENU/INFO**-knop ingedrukt in de DAB- of FM-modus.
2. Draai aan de **AFSTEMKNOP** om naar "System" te gaan. Druk op **ENTER** om dit sub-menu te betreden.
3. Draai aan de **AFSTEMKNOP** om naar "Tijd" te gaan, druk op de **ENTER**-knop om dit sub-menu te betreden. Vervolgens wordt "set Time/Date" weergegeven en de urcijfers zullen knipperen. Gebruik de **AFSTEMKNOP** om het uur in te stellen. Druk op de **ENTER**-knop om te bevestigen.
4. De minuten zullen gaan knipperen. Gebruik de **AFSTEMKNOP** om de minuten in te stellen. Druk op de **ENTER**-knop om te bevestigen.
5. "Set date" wordt weergegeven en de dag zal knipperen. Gebruik de **AFSTEMKNOP** en de **ENTER**-knop om de dag, de maand en het jaar in te stellen.
6. Wanneer u de datum bevestigt: "time saved" wordt getoond en het display keert terug naar "set/time/date".

U kunt de **AFSTEMKNOP** en de **ENTER** toets gebruiken om het volgende in te stellen:

**TIJD FORMAT:** 12/24 uur klok weergave;

**DATUM FORMAT:** DD-MM-JJ of MM-DD-JJ;

**AUTO UPDATE:** Automatisch bijwerken van de tijd op basis van het DAB-sigitaal of het FM-sigitaal.

## LUISTEREN NAAR FM RADIO

---

Druk op de **MODE** toets totdat "FM" op het display verschijnt, om de FM-modus te kiezen.

#### Handmatig zoeken

Kies uw radiozender door de **TUNING** knop te draaien, of druk op de ◀/▶ knoppen.

#### Automatisch zoeken

Houd de ◀/▶ knoppen ingedrukt, de radio zal automatisch een zender zoeken met goede ontvangst.

#### Voorkeuzezenders

Dit toestel kan 20 FM- en 20 DAB/DAB+ zenders opslaan.

1. Druk herhaaldelijk op **MODE** om de FM of DAB/DAB+ modus te kiezen.
2. Selecteer een radiozender.
3. Houd **PRESET** ingedrukt om de modus voorkeuzezender binnen te selecteren.
4. Gebruik de **TUNING** knop om een kanaal te selecteren.
5. Druk op **ENTER** om het radiostation op te slaan. De geselecteerde zender wordt na enkele seconden automatisch opgeslagen indien geen verdere bediening plaatsvindt. "Stored" zal worden weergegeven.
6. Herhaal stap 1-5 om andere zenders op te slaan.

### Luisteren naar vooraf ingestelde radiozenders

1. Druk op **MODE** om FM of DAB/DAB+ te selecteren.
2. Druk op **PRESET** en vervolgens op ◀/▶ om de gewenste zender te selecteren.
3. Druk op **ENTER**.

## DAB/DAB+ RADIO

---

1. Druk op **MODE** tot "DAB" op het display verschijnt om de DAB-modus te selecteren.
2. Het toestel zal automatisch beginnen te scannen naar DAB/DAB+ zenders, wanneer het de eerste keer is dat u het toestel gebruikt. "Scanning" zal op het display verschijnen.
3. Wanneer de scan voltooid is, zal het toestel de eerste beschikbare zender selecteren en automatisch beginnen met afspelen. De zenders worden standaard eerst in numerieke en vervolgens in alfabetische volgorde weergegeven.

**Opmerking:** Wanneer de DAB/DAB+ radiozenderlijst is opgeslagen, zal deze niet automatisch opnieuw zoeken.

Druk op **SCAN** om een zender te zoeken en in de lijst op te nemen.

4. Draai aan de **TUNING** knop om een zender te kiezen.
5. Wanneer de gewenste zender is gekozen, drukt u op **ENTER** om te bevestigen. Er zal een korte vertraging zijn terwijl uw radio afstemt op de geselecteerde zender.

Opmerking:

- Als er geen uitzendingen worden gevonden door de DAB/DAB+ scan, verschijnt "No DAB Station" op het display.
- Voor een betere ontvangst kunt u de telescopische antenne uitschuiven.
- Tijdens het zoeken wordt het geluidsniveau automatisch gedempt.

## ALARM/SLEEP INSTELLINGEN

---

### Het alarm instellen

1. Druk op **MENU/INFO** in de DAB/FM modus.
2. Draai aan de **TUNING**-knop en selecteer <System>. Druk op **ENTER** om deze optie te openen. Draai aan de **TUNING**-knop en selecteer <Alarm>, druk op **ENTER** om deze optie te openen. Of druk op **ALARM** in STANDBY-modus.
3. Draai aan de **TUNING**-knop om te verrollen tussen <Alarm 1 Setup> en <Alarm 2 Setup>.
4. Selecteer <Alarm 1 instelling> en druk op **ENTER**.
5. De uren cijfers zullen knipperen. Gebruik de **TUNING**-knop om het uur in te stellen. Druk op **ENTER** om te bevestigen. Vervolgens knipperen de minuutcijfers. Gebruik de **TUNING**-knop om de minuten in te stellen. Druk op **ENTER** om te bevestigen.
6. Draai aan de **TUNING**-knop om een van de alarmtijden te kiezen: 15-30-45-60-90. Druk op **ENTER** om te bevestigen. Wanneer de duur van het alarm bereikt is, zal het alarm stoppen.
7. Draai aan de **TUNING**-knop om de wekkerbron te kiezen: Buzzer, DAB of FM. Druk op **ENTER** om te bevestigen.
8. Draai aan de **TUNING**-knop om een van de volgende alarmfrequenties opties in te stellen: "Dagelijks", "Eenmalig", "Weekends" en "Weekdagen". Druk op **ENTER** om te bevestigen. Stel vervolgens het volumeniveau in.
9. De alarmstatus zal worden getoond. Draai aan de **TUNING**-knop om het alarm aan/uit te zetten, druk op **ENTER** om te bevestigen. "Alarm osaved" zal op het display verschijnen.

### Het alarm uitzetten

1. Herhaling van het alarm  
Druk op **SCAN**. Het alarm stopt en zal 9 minuten later opnieuw afgaan.
2. Alarm Stop  
Druk op **STANDBY/ON** om het alarm te stoppen.
3. Alarm Uitschakelen  
Zie stappen 1 t/m 9 van "het alarm instellen".

### Slaap functie

1. Druk op **MENU/INFO** en draai vervolgens aan de **TUNING**-knop om "systeem" te selecteren, druk vervolgens op **ENTER** om te bevestigen.
2. Draai aan de **TUNING**-knop om "Sleep" te kiezen en druk op **ENTER** om deze optie te openen.
3. Draai aan de **TUNING**-knop om "Sleep off" te selecteren, Druk op **ENTER** om deze optie te openen.
4. Druk op **ENTER** om te bevestigen.

## NAAR EEN CD/MP3 LUISTEREN

---

1. Druk op **CD/USB** of **MODE** totdat "CD" op het display verschijnt, om de CD-modus te selecteren.
2. Druk op **OPEN/CLOSE** om de schijflade te openen, op het display verschijnt "OPEN". Plaats een schijf met de labelzijde naar boven. Druk nogmaals op **OPEN/CLOSE** om de schijflade te sluiten.
3. Het display toont gedurende enkele seconden "CD--READING", daarna begint het afspelen automatisch.
4. Kies het gewenste nummer met de ◀/▶ toetsen.
5. Druk op **PLAY** om het afspelen tijdelijk te onderbreken. Druk nogmaals op **PLAY** om het afspelen te hervatten.
6. Druk op **STOP** om de weergave te stoppen.

### Herhaalde weergave

Druk op **REPEAT** om één van de volgende afspeelmodi te selecteren: enkelvoudig herhalen, album herhalen of alles herhalen.

### Willekeurig afspelen

Druk op **RANDOM** om willekeurig af te spelen, druk nogmaals op **RANDOM** om te annuleren.

## OPNEMEN VAN DE CD/MP3

---

### Opnemen

1. Sluit de USB-stick/kabel aan op de USB-poort (zorg ervoor dat de USB-stick fat32 geformatteerd is).
2. Volg de procedure van de "Naar een cd/mp3 luisteren" sectie, druk op de **USB REC**-knop, het "REC ONE" icoon verschijnt op het display.
3. Druk op ◀/▶ om te kiezen tussen ONE (opname van een enkel cd-nummer), FOLDER (alleen mp3 disc), ALL (opname van een hele cd).

### Opnemen van een enkel CD-nummer:

Selecteer ONE, het "ONE" icoon verschijnt op display. Druk op de **USB REC**-knop om de opname van het huidige nummer te bevestigen, het display toont "Wacht even...", waarna het "REC" icoon op het display knippert.

Druk op **STOP** om de opname te stoppen (het opnemen zal automatisch stoppen wanneer het liedje afgelopen is). Het display zal "Einde opname" tonen.

### Gehele CD Opname:

Selecteer ALL, het "ALL" icoon verschijnt op het display. Druk op de **USB REC**-knop om de opname van de cd te bevestigen, het display toont "Wacht even...", waarna het "REC" icoon op het display knippert.

Druk op **STOP** om de opname te stoppen (het opnemen zal automatisch stoppen wanneer de cd afgelopen is). Het display zal "Einde opname" tonen.

### Map opname (MP3):

Selecteer FOLDER, het "FOLD" icoon verschijnt op het display. Druk op de **USB REC**-knop om de opname van de map te bevestigen, het display toont "Wacht even...", waarna het "REC" icoon op het display knippert.

Druk op **STOP** om de opname te stoppen (het opnemen zal automatisch stoppen wanneer de map afgelopen is). Het display zal "Einde opname" tonen.

4. Om de opname te beluisteren, drukt u herhaaldelijk op **CD/USB** of **MODE** om de USB-modus te kiezen. De USB-indicator verschijnt op het display. Druk op ◀/▶ om de gewenste opname te selecteren.

## PHONO

---

1. Druk op **MODE** totdat de PHONO-indicator op het display verschijnt om de phonomodus te kiezen.
  2. Verwijder het naaldkapje van de naald en maak de Toonarmsteun los.
  3. Plaats een plaat op de draaitafelplaat en selecteer de gewenste snelheid (33/45/78) in overeenstemming met de plaat.
- OPMERKING:** Als u 45 RPM platen afspeelt, plaats dan de 45 RPM adapter op de middelste spindel
4. Duw de hefhandel omhoog om de toonarm omhoog te brengen en beweeg de toonarm voorzichtig naar de gewenste positie over de plaat. Breng de hefhandel naar beneden, beweeg de toonarm langzaam op de plaat om het afspelen te starten.
  5. Stel de volumeregelaar in op het gewenste niveau.
  6. Indien de AUTO STOP AAN/UIT schakelaar AAN staat, zal de plaat automatisch stoppen wanneer het afspelen eindigt. Als de Auto Stop schakelaar UIT staat, zal de plaat NIET automatisch stoppen wanneer het afspelen eindigt.
- Opmerking: Bepaalde soorten platen kunnen een auto-stop gebied hebben buiten de vooraf ingestelde limiet, zodat de platenspeler kan stoppen voordat de laatste track is afgelopen, of voordat de plaat is afgelopen. Als dit zich voordoet, zet de auto-stop schakelaar dan in de "OFF" positie.

## OPNEMEN VAN DE PHONO

---

1. Sluit de USB-stick/kabel aan op de USB-poort (zorg ervoor dat de USB-stick fat32 geformatteerd is).
2. Volg de procedure van de "Phono" sectie, druk op de **USB REC**-knop ("REC" icoon verschijnt in de display), het "REC" icoon zal op het display knipperen. Daarna zal "Recording" getoond worden, waarna de opname zal starten.
3. Druk op **STOP** om de opname te stoppen, "Einde opname" zal op het display verschijnen.
4. Druk herhaaldelijk op **CD/USB** of **MODE** om USB-modus te selecteren, om de opname te beluisteren (de USB-indicator verschijnt op het display). Druk op ◀/▶ om het laatste bestand op de USB te vinden, waarna het afspelen automatisch begint.

## AUX-INGANG

---

1. Sluit uw hulpbron (b.v. mp3-speler) aan op de AUX-ingang (3,5 mm) aan de voorkant van de platenspeler (benodigde kabel niet inbegrepen).
2. Druk op **MODE** totdat "AUX" op het display verschijnt om de AUX-modus te selecteren.
3. Start de weergave op uw hulpbron.
4. Stel het volume in op het gewenste niveau.

## OPNEMEN VAN DE AUX INGANG

---

1. Sluit de USB-stick/kabel aan op de USB-poort (zorg ervoor dat de USB-stick fat32 geformatteerd is).
2. Volg de procedure van de "AUX-ingang" sectie, druk op de **USB REC**-knop ("REC" icoon verschijnt in de display), het "REC" icoon zal op het display knipperen. Daarna zal "Recording" getoond worden, waarna de opname zal starten.
3. Druk op **STOP** om de opname te stoppen, "Einde opname" zal op het display verschijnen.
4. Druk herhaaldelijk op **CD/USB** of **MODE** om USB-modus te selecteren, om de opname te beluisteren (de USB-indicator verschijnt op het display). Druk op ◀/▶ om het laatste bestand op de USB te vinden, waarna het afspelen automatisch begint.

## PLAYING FROM USB DRIVE

---

1. Sluit een USB-apparaat met mp3-bestanden of een mp3-speler aan op de USB-poort (zorg ervoor dat het usb-apparaat fat32 geformatteerd is).
2. Druk op **CD/USB** of **MODE** totdat de USB-indicator op het display verschijnt om de USB-modus te selecteren.
3. Stel het volume in op het gewenste niveau.
4. Kies het gewenste nummer met de **PREV/NEXT** toetsen.
5. Druk op **PLAY** om de weergave af te spelen/pauzeren.
6. Druk op **STOP** om de weergave te stoppen.

### Herhaalde weergave:

Druk op **REPEAT** om een van de volgende afspeelmodi te kiezen: enkele herhaling, album herhalen of alles herhalen.

### Willekeurig afspelen

Druk op **RANDOM** om willekeurig af te spelen, druk nogmaals op **RANDOM** om te annuleren.

### Verwijderen van het USB-apparaat

Zorg ervoor dat u de weergave stopt en het apparaat uitzet voordat u het USB-apparaat verwijdert om beschadiging van het USB-station en de platenspeler te voorkomen.

## BT AFSPELEN

---

1. Druk op de **MODE** toets om de BT modus te activeren. ("BT mode" zal op het scherm verschijnen)
2. Selecteer "**Fenton recordplayer**" op uw BT-apparaat en koppel. Een geluid zal klinken om te bevestigen dat de koppeling succesvol is.



Let op: BT-afstand is ongeveer 10meter zonder enige barrière.

## OPNEMEN VAN BT APPARAAT

---

1. Sluit de USB-stick/kabel aan op de USB-poort (zorg ervoor dat de USB-stick fat32 geformatteerd is).
2. Volg de procedure van de "AUX-ingang" sectie, druk op de **USB REC**-knop ("REC" icoon verschijnt in de display), het "REC" icoon zal op het display knipperen. Daarna zal "Recording" getoond worden, waarna de opname zal starten.
3. Druk op **STOP** om de opname te stoppen, "Einde opname" zal op het display verschijnen.
4. Druk herhaaldelijk op **CD/USB** of **MODE** om USB-modus te selecteren, om de opname te beluisteren (de USB-indicator verschijnt op het display). Druk op ◀/▶ om het laatste bestand op de USB te vinden, waarna het afspelen automatisch begint.

Vielen Dank für den Kauf dieses Fenton gerat. Nehmen Sie sich einen Augenblick Zeit, um diese Anleitung sorgfältig durchzulesen, damit sie die Möglichkeiten, die unser Produkt bietet, sofort voll ausnutzen können.

Lesen Sie erst die Anleitung vollständig vor der ersten Inbetriebnahme durch. Befolgen Sie die Anweisung, da sonst jeglicher Garantieanspruch verfällt. Treffen Sie stets alle Sicherheits-vorkehrungen um Feuer und/oder Stromschlag zu vermeiden. Reparaturen dürfen nur von qualifiziertem Fachpersonal ausgeführt werden, um Stromschlag zu vermeiden. Bewahren Sie diese Anleitung für spätere Bezugnahme auf.

- Bewahren Sie die Verpackung auf, um das Gerät im Bedarfsfall sicher transportieren zu können.
  - Bevor das Gerät in Betrieb genommen wird, muss es erst von einem Fachmann überprüft werden. Bei der ersten Benutzung kann etwas Geruch auftreten. Das ist normal und verschwindet nach einer Weile
  - Das Gerät enthält unter Spannung stehende Teile. Daher NIEMALS das Gehäuse öffnen.
  - Keine Metallgegenstände oder Flüssigkeiten ins Gerät dringen lassen. Sie können zu Stromschlag und Defekten führen.
  - Gerät nicht in der Nähe von Wärmequellen wie Heizkörpern aufstellen. Nicht auf eine vibrierende Oberfläche stellen. Niemals die Belüftungsschlitze abdecken.
  - Das Gerät ist nicht für Dauerbetrieb geeignet.
  - Gehen Sie vorsichtig mit dem Netzkabel um und beschädigen Sie es nicht. Eine beschädigte Netzschnur kann zu Stromschlag und Defekten führen.
  - Wenn Sie das Gerät vom Netz trennen, immer am Stecker ziehen, niemals an der Schnur.
  - Um Feuer und Stromschlag zu vermeiden, das Gerät vor Regen und Feuchtigkeit schützen.
  - Den Stecker nie mit nassen Händen in eine Netzsteckdose stecken oder abziehen.
  - Wenn sowohl der Stecker und/oder die Netzschnur bzw. der Kabeleintritt ins Gerät beschädigt sind, müssen sie von einem Fachmann repariert werden.
  - Wenn das Gerät so beschädigt ist, dass Innenteile sichtbar sind, darf der Stecker NICHT in eine Steckdose gesteckt werden und das Gerät darf NICHT eingeschaltet werden. Wenden Sie sich in dem Fall an Ihren Fachhändler. Das Gerät darf nicht an einen Dimmer angeschlossen werden.
  - Reparaturen dürfen nur von einem Fachmann oder Sachverständigen ausgeführt werden.
  - Das Gerät nur an eine geerdete 10-16A Netzsteckdose mit 220-240V AC/50Hz Spannung anschließen.
  - Bei Gewitter oder längerem Nichtgebrauch den Netzstecker abziehen. Die Regel gilt: Bei Nichtgebrauch Netzstecker abziehen.
  - Wenn das Gerät längere Zeit nicht benutzt wurde, kann sich Kondenswasser gebildet haben. Lassen Sie das Gerät erst auf Zimmertemperatur kommen, bevor Sie es einschalten.
- Das Gerät nicht in feuchten Räumen oder im Freien benutzen.
  - Um Unfällen in der Öffentlichkeit vorzubeugen, müssen die geltenden Richtlinien beachtet und die Anweisungen/Warnungen befolgt werden.
  - Niemals das Gerät kurz hintereinander ein- und ausschalten. Dadurch verkürzt sich die Lebensdauer erheblich.
  - Das Gerät außerhalb der Reichweite von Kindern halten. Das Gerät niemals unbeaufsichtigt lassen.
  - Die Regler nicht mit Reinigungssprays reinigen. Diese hinterlassen Rückstände, die zu Staub- und Fettansammlungen führen. Bei Störungen immer einen Fachmann um Rat fragen.
  - Das Gerät nur mit sauberen Händen bedienen.
  - Das Gerät nicht mit Gewalt bedienen.
  - Dieses Gerät kann dazu führen Magnetfeld. Halten Sie das Gerät mindestens 60 cm vom Computer oder Fernseher.
  - Wenn dieses Gerät eine Blei-Säure-Batterie hat, soll dies jede 3 Monate zumindest wieder aufgeladen werden, wenn es nicht für eine längere Zeit nicht benutzt wird, sonst ist es möglich, dass die Batterie dauerhaft beschädigt.
  - Fachmann um Rat fragen, bevor Sie es wieder einschalten.
  - Keine chemischen Reinigungsmittel benutzen, die den Lack beschädigen. Das Gerät nur mit einem trockenen Tuch abwischen.
  - Nicht in der Nähe von elektronischen Geräten benutzen, die Brummstörungen verursachen können.
  - Bei Reparaturen nur die Original-Ersatzteile verwenden, um starke Schäden und/oder gefährliche Strahlungen zu vermeiden.
  - Bevor Sie das Netz- und/oder Anschlusskabel abziehen, erst das Gerät ausschalten. Netz- und Anschlusskabel abziehen, bevor Sie das Gerät umstellen.
  - Sorgen Sie dafür, dass das Netzkabel nicht beschädigt werden kann, wenn Menschen darüber laufen. Das Netzkabel vor jedem Einsatz auf Brüche/Schadstellen überprüfen.
  - In Deutschland beträgt die Netzspannung 220-240V AC / 50Hz. Wenn Sie das Gerät auf Reisen mitnehmen, prüfen Sie, ob die örtliche Netzspannung den Anforderungen des Geräts entspricht.



Dieses Zeichen weist den Benutzer darauf hin, dass lebensgefährliche Spannungen im Gerät anliegen, die bei Berührung einen Stromschlag verursachen.



Dieses Zeichen lenkt die Aufmerksamkeit des Benutzers auf wichtige Hinweise in der Anleitung hin, die unbedingt eingehalten werden müssen.

**HINWEIS:** Um einen einwandfreien Betrieb zu gewährleisten, muss die Raumtemperatur zwischen 5° und 35°C liegen.



Tronios BV Registrierungsnummer : DE51181017 (ElektroG).

Dieses Produkt darf am Ende seiner Lebensdauer nicht über den normalen Haushaltsabfall entsorgt werden, sondern muss an einem Sammelpunkt für das Recycling abgegeben werden. Hiermit leisten Sie einen wichtigen Beitrag zum Schutze unserer Umwelt.

Tronios BV Registrierungsnummer : 21003000 (BatterieG).

Lithiumbatterien und Akkupacks sollten nur im entladenen Zustand in die Altbatteriesammelgefäße bei Handel und bei öffentlich-rechtlichen Entsorgungsträgern gegeben werden. Bei nicht vollständig entladenen Batterien Vorsorge gegen Kurzschluss treffen durch Isolieren der Pole mit Klebestreifen. Der Endnutzer ist zur Rückgabe von Altbatterien gesetzlich verpflichtet.

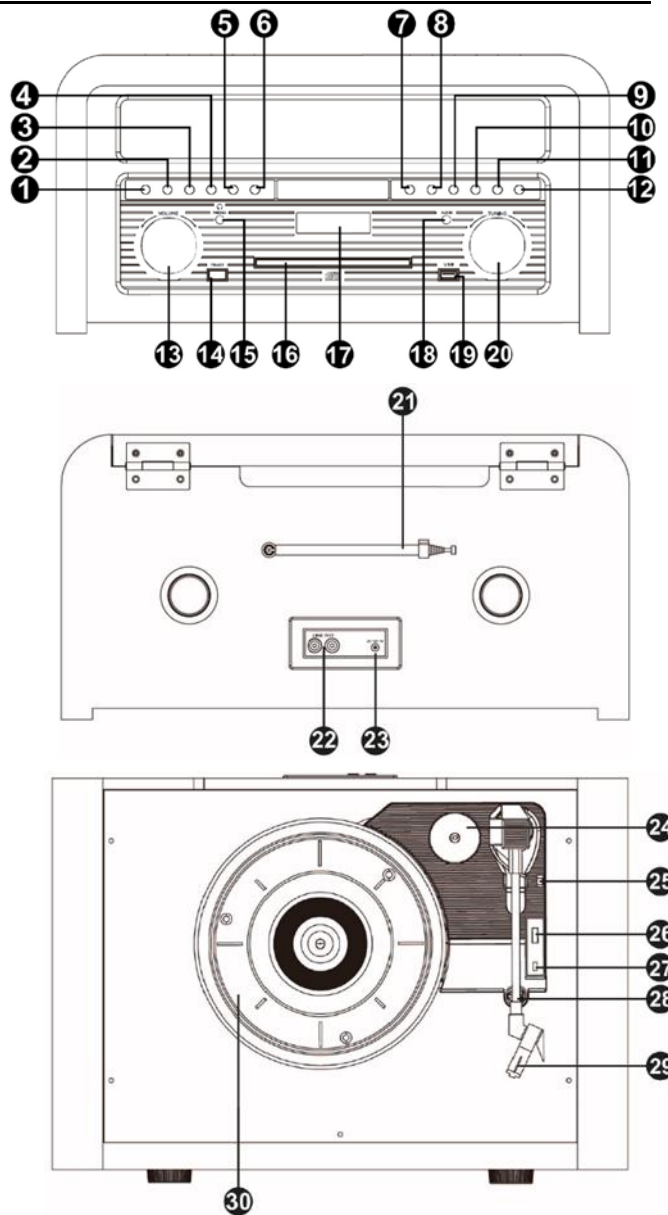
*Reparieren Sie das Gerät niemals selbst und nehmen Sie niemals eigenmächtig Veränderungen am Gerät vor. Sie verlieren dadurch den Garantieanspruch. Der Garantieanspruch verfällt ebenfalls bei Unfällen und Schäden in jeglicher Form, die durch unsachgemäßen Gebrauch und Nichtbeachtung der Warnungen und Sicherheitshinweise in dieser Anleitung entstanden sind. Fenton ist in keinem Fall verantwortlich für persönliche Schäden in Folge von Nichtbeachtung der Sicherheitsvorschriften und Warnungen. Dies gilt auch für Folgeschäden jeglicher Form.*

## AUSPACKEN

Packen Sie das Gerät sofort nach Empfang aus und prüfen Sie den Inhalt. Wenn Teile fehlen oder beschädigt sind, benachrichtigen Sie sofort den Spediteur und bewahren Sie die Verpackung auf. Falls ein Gerät ins Werk zurückgeschickt werden muss, ist es wichtig, dass es in der Originalverpackung versandt wird. Das Gerät darf nicht in Betrieb genommen werden, nachdem es von einem kalten in einen warmen Raum gebracht wurde. Das dabei entstehende Kondenswasser kann unter Umständen Ihr Gerät zerstören. Lassen Sie das Gerät so lange ausgeschaltet, bis es Zimmertemperatur erreicht hat!

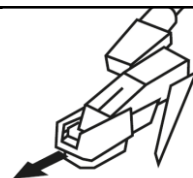
## ÜBERSICHT

1. CD/USB
2. Programm
3. Wiederholung/Voreinstellung
4. Zufällig/Alarm
5. USB-Aufnahme
6. Standby/Ein
7. Öffnen/Schließen / Menü/Info
8. STOP/Scan/Schlummern
9. ◀ Voreingestellte Kanäle - / Zurück
10. Eingabe/Wiedergabe
11. ▶ Voreingestellte Kanäle + / Weiter
12. Modus
13. Lautstärkereglern
14. Ein/Aus
15. Kopfhörerausgang
16. CD-Spieler
17. LCD-Anzeige
18. AUX-Eingang
19. USB-Anschluss
20. Abstimmregler
21. FM-Drahtantenne
22. RCA-Ausgang
23. DC-EINGANG
24. 45RPM-Adapter
25. Hebegriff
26. Drehbarer Drehzahlwähler (33/45/78)
27. AUTO STOP
28. Ton Armlehne
29. Kassette mit Nadelhalter
30. Drehscheibe



## BETRIEB

1. Schließen Sie den Plattenspieler an den Netzadapter an und stecken Sie das andere Ende in eine Steckdose.
2. Entfernen Sie die weiße Nadelschutzkappe, indem Sie sie vorsichtig zur Vorderseite des Geräts ziehen.
3. Legen Sie eine Schallplatte auf den Plattenteller und wählen Sie je nach Platte die gewünschte Geschwindigkeit (33/45/78RPM).
4. Öffnen Sie die Tonarmklemme, um den Tonarm zu entriegeln. Bewegen Sie vorsichtig den Tonarm und setzen Sie den Tonabnehmer auf die gewünschte Plattenposition und der Plattenspieler beginnt zu spielen.
5. Drehen Sie den Lautstärkereglern im Uhrzeigersinn, um die Lautstärke einzustellen.



**Hinweis:** Wenn der Schalter AUTO STOP ON/OFF auf ON steht, wird die Aufnahme automatisch gestoppt, wenn sie beendet ist. Wenn der Regler AUTO STOP auf OFF steht, wird die Aufnahme NICHT automatisch gestoppt, wenn sie beendet ist.

## EINSTELLUNG MENU

### Navigieren im Setup-Menü

1. Drücken Sie im UKW- oder DAB-Modus die Taste **MENU/INFO**, um das Setup-Menü aufzurufen.
2. Drehen Sie am **ABSTIMMREGLER**, um eine der verfügbaren Optionen aufzurufen.
3. Drücken Sie **ENTER**, um das entsprechende Einstellungsmenü aufzurufen.

## DAB+ Einstellungsmenü

Vollständiger Scan - Mit dieser Funktion können Sie DAB+-Sendungen, die empfangen werden können, automatisch scannen und auflisten.

Manuell - Diese Funktion kann verwendet werden, um den optimalen Empfang für einen bestimmten Kanal oder eine bestimmte Frequenz zu erhalten.

## DRC (Dynamische Bereichskompression)

DRC kann leisere Töne besser hörbar machen, wenn das Gerät in einer lauten Umgebung verwendet wird. Drehen Sie den **ABSTIMMREGLER**, um den gewünschten DRC-Pegel auszuwählen: aus, niedrig, hoch.

## Prune - Löschen von Sendern

Löschen Sie Sender, die aufgelistet, aber nicht verfügbar sind. Mit dieser Funktion können Sie alle ungültigen Sender entfernen, die in der Senderliste mit einem "?" vor dem Sendernamen angezeigt werden.

## System

Zur Auswahl der Systemeinstellungsoptionen: Ruhezustand, Alarm, Uhrzeit, Sprache, Werkseinstellung, Software-Upgrade, sw-Version.

**Schlaf** - Sie können die Sleep-Funktion aktivieren.

**Alarm** - Sie können die Alarmfunktion einstellen.

**Zeit** - Sie können die Uhrzeit und das Datum einstellen.

**Sprache** - Sie können die gewünschte Sprache für das Menü des Geräts auswählen.

**Werkseinstellungen** - So löschen Sie alle benutzerdefinierten Einstellungen. Wenn Sie die Werkseinstellungen wiederherstellen möchten, drehen Sie den **ABSTIMMREGLER**, um "YES" auszuwählen, und drücken Sie **ENTER** zur Bestätigung. Drehen Sie den **ABSTIMMREGLER**, um "NO" auszuwählen und drücken Sie **ENTER**, um diese Auswahl aufzuheben.

**SW-Version** - So zeigen Sie die aktuelle Software-Version an.

## Menü FM-Einstellungen

### Scan-Einstellungen

Starke Sender: Die automatische Suchfunktion sucht nur starke Sender.

Alle Sender: Die automatische Suchfunktion sucht alle verfügbaren Sender.

### Audio-Einstellungen

Wählen Sie zwischen "Stereo oder Mono" und "Forces mono" für das FM-Radio.

### System

Siehe den Einstellungsmodus des DAB-Systems.

## EINSTELLEN VON DATUM UND UHRZEIT

Wenn Sie zum ersten Mal DAB-Radio hören, werden Uhrzeit und Datum Ihres Produkts im 24-Stunden-Modus, der der Sommerzeit entspricht, automatisch mit denen des DAB-Dienstes synchronisiert, so dass Sie die Uhrzeit und das Datum nicht manuell einstellen müssen.

Wenn Sie die Uhrzeit und das Datum manuell einstellen möchten, führen Sie die folgenden Schritte aus:

1. Halten Sie die **MENU/INFO**-Taste im DAB- oder UKW-Modus gedrückt.
2. Drehen Sie den **ABSTIMMREGLER**, um "System" zu selektieren. Drücken Sie **ENTER**, um diese Option aufzurufen.
3. Drehen Sie den **ABSTIMMREGLER**, um zu "Time" zu blättern, drücken Sie **ENTER**, um diese Option aufzurufen, Dann wird "set Time/Date" angezeigt und die Stundenziffern blinken. Verwenden Sie den **ABSTIMMREGLER**, um die Stunden einzustellen. Drücken Sie zur Bestätigung **ENTER**.
4. Die Minutenziffern werden blinken. Verwenden Sie den **ABSTIMMREGLER**, um die Minuten einzustellen. Drücken Sie **ENTER** zur Bestätigung.
5. Datum einstellen" wird angezeigt und der Tag blinkt. Verwenden Sie den **ABSTIMMREGLER** und die **ENTER**-Taste, um Tag, Monat und Jahr einzustellen.
6. Wenn Sie das Datum bestätigen, wird "time saved" angezeigt und die Anzeige kehrt zu "set/time/date" zurück.

Mit **ABSTIMMREGLER** und der **ENTER**-Taste können Sie Folgendes einstellen:

**ZEITFORMAT**: 12/24-Stunden-Anzeige;

**DATUMSFORMAT**: TT-MM-JJ oder MM-TT-JJJ;

**AUTO UPDATE**: Automatische Aktualisierung der Zeit basierend auf dem DAB-/FM-Signal.

## UKW-RADIO HÖREN

Drücken Sie **MODE**, bis "FM" auf dem Display erscheint, um den UKW-Modus auszuwählen.

### Manuell Suchen

Wählen Sie Ihren Radiosender mit den **ABSTIMMREGLER** oder drücken Sie die ◀/▶-Tasten.

### Automatisch Suchen

Wenn Sie die ◀/▶-Tasten gedrückt halten, sucht das Radio automatisch einen Sender mit starkem Empfang.

### Voreingestellte Sender

Dieses Gerät kann 20 UKW- und 20 DAB/DAB+-Sender speichern.

1. Drücken Sie wiederholt die **MODE**-Taste, um den FM- oder DAB/DAB+-Modus auszuwählen.
2. Wählen Sie einen Radiosender.
3. Halten Sie **PRESET** gedrückt, um in den Modus für voreingestellte Radiosender zu gelangen.
4. Verwenden Sie die **ABSTIMMREGLER** oder ◀/▶, um einen Kanal auszuwählen.



5. Drücken Sie **ENTER** zum Speichern (Der gewählte Sender wird nach ein paar Sekunden automatisch gespeichert, wenn keine weitere Bedienung vorgenommen wird). Es wird "Gespeichert" angezeigt.
6. Wiederholen Sie die Schritten 1-5, um weitere Sender zu speichern.

### Abhören von voreingestellten Radiosendern

1. Drücken Sie die **MODE**-Taste, um das FM- oder DAB/DAB+-Band auszuwählen.
2. Drücken Sie die **PRESET**-Taste und dann die ◀/▶ -Tasten, um den gewünschten Sender auszuwählen.
3. **ENTER** drücken.

## DAB/DAB+ RADIO

---

1. Drücken Sie **MODE**, bis "DAB" auf dem Display erscheint, um den DAB-Modus zu wählen.
  2. Wenn Sie das Gerät zum ersten Mal benutzen, sucht es automatisch nach DAB/DAB+-Sendern. Auf dem Display wird "Scanning" angezeigt.
  3. Wenn der Suchlauf abgeschlossen ist, wählt das Gerät den ersten verfügbaren Sender aus und startet automatisch die Wiedergabe. Standardmäßig werden die Sender zuerst in numerischer und dann in alphabetischer Reihenfolge aufgelistet.
- Hinweis:** Wenn die DAB/DAB+-Radio-Senderliste gespeichert ist, wird sie nicht automatisch erneut gesucht. Drücken Sie **SCAN**, um einen Sender zu suchen und der Liste hinzuzufügen.
4. Drehen Sie die **ABSTIMMREGLER**, um einen Sender zu wählen.
  5. Wenn der gewünschte Sender ausgewählt ist, drücken Sie zur Bestätigung **ENTER**. Es gibt eine kurze Verzögerung, während Ihr Radio den gewählten Sender einstellt.

Opmerking:

- Als er geen uitzendingen worden gevonden door de DAB/DAB+ scan, verschijnt "No DAB Station" op het display.
- Voor een betere ontvangst kunt u de telescopische antenne uitschuiven.
- Tijdens het zoeken wordt het geluidsniveau automatisch gedempt.

## ALARM-/SCHLAF MODUSEINSTELLUNGEN

---

### Einstellen des Alarms

1. Drücken Sie **MENU/INFO** im DAB/FM-Modus.
2. Drehen Sie den **ABSTIMMREGLER** und wählen Sie <System>. Drücken Sie **ENTER**, um diese Option aufzurufen. Drehen Sie den **ABSTIMMREGLER** und wählen Sie <Alarm>, drücken Sie **ENTER** zur Bestätigung. Oder drücken Sie **ALARM** im STANDBY-Modus.
3. Drehen Sie den **ABSTIMMREGLER**, um zwischen <Alarm 1 Setup> und <Alarm 2 Setup> zu wechseln.
4. Wählen Sie <Alarm 1 Setup> und drücken Sie **ENTER**.
5. Die Stundenziffern blinken. Verwenden Sie den **ABSTIMMREGLER**, um die Stunde einzustellen. Drücken Sie **ENTER** zur Bestätigung. Dann blinken die Minutenziffern. Verwenden Sie den **ABSTIMMREGLER**, um die Minuten einzustellen. Drücken Sie **ENTER** zur Bestätigung.
6. Drehen Sie den **ABSTIMMREGLER**, um eine der Alarmzeiten zu wählen: 15-30-45-60-90. Drücken Sie **ENTER** zur Bestätigung. Wenn die Alarmzeit erreicht ist, wird der Alarm beendet.
7. Drehen Sie den **ABSTIMMREGLER**, um die Alarmquelle zu wählen: Buzzer, DAB oder FM. Drücken Sie **ENTER** zur Bestätigung.
8. Drehen Sie den **ABSTIMMREGLER**, um eine der folgenden Alarmhäufigkeitsoptionen einzustellen: "Täglich", "Einmalig", "Wochenende" und "Wochentage". Drücken Sie **ENTER** zur Bestätigung. Stellen Sie dann den Lautstärkepegel ein.
9. Der Alarmstatus wird angezeigt. Drehen Sie den **ABSTIMMREGLER**, um den Alarm ein-/auszuschalten, und drücken Sie **ENTER** zur Bestätigung. Auf dem Display wird "Alarm gespeichert" angezeigt.

### Ausschalten des Alarms

1. Wiederholung des Alarms  
Drücken Sie **SCAN**. Alarm stoppt und ertönt 9 Minuten später erneut.
2. Alarm Stoppen  
Drücken Sie **STANDBY/ON**, um den Alarm zu beenden.
3. Deaktivieren Sie den Alarm  
Siehe Schritte 1 bis 9 unter "Einstellen des Alarms".

### Schlaf-Funktion

1. Drücken Sie auf **MENU/INFO** und drehen Sie dann den **ABSTIMMREGLER**, um "system" auszuwählen, und drücken Sie dann zur Bestätigung auf **ENTER**.
2. Drehen Sie den **ABSTIMMREGLER**, um "Sleep" auszuwählen, und drücken Sie dann zur Bestätigung **ENTER**.
3. Drehen Sie den **ABSTIMMREGLER**, um "Sleep off" auszuwählen, und drücken Sie **ENTER** zur Bestätigung.
4. Drücken Sie **ENTER** zur Bestätigung.

## EINE CD/MP3 ANHÖREN

---

1. Drücken Sie **CD/USB** oder **MODE**, bis "CD" auf dem Display erscheint, um den CD-Modus zu wählen.
2. Drücken Sie **OPEN/CLOSE**, um das Disc-Fach zu öffnen, auf dem Display erscheint "OPEN". Legen Sie eine Disc mit der beschrifteten Seite nach oben ein. Drücken Sie erneut **OPEN/CLOSE**, um das Disc-Fach zu schließen.
3. Im Display wird einige Sekunden lang "CD-READING" angezeigt, dann beginnt die Wiedergabe automatisch.
4. Wählen Sie mit den ◀/▶-Tasten den gewünschten Titel.
5. Drücken Sie **PLAY**, um die Wiedergabe vorübergehend anzuhalten. Drücken Sie erneut **PLAY**, um die Wiedergabe fortzusetzen.
6. Drücken Sie **STOP**, um die Wiedergabe zu beenden.

## Wiederholte Wiedergabe

Drücken Sie die Taste **REPEAT**, um einen der folgenden Wiedergabemodi auszuwählen: Einzelwiederholung, Albumwiederholung oder Gesamtwiederholung.

## Zufälliges Spiel

Drücken Sie **RANDOM**, um die Zufallswiedergabe zu starten, drücken Sie **RANDOM** erneut, um sie abzubrechen.

## AUFNAHME DER CD/MP3

---

### Aufnahme

1. Schließen Sie den USB-Stick/das Kabel an den USB-Anschluss an (stellen Sie sicher, dass der USB-Stick mit fat32 formatiert ist).
2. Befolgen Sie die Anweisungen im Abschnitt "Abspielen einer CD/MP3" und drücken Sie die **USB REC**-Taste, woraufhin das Symbol "REC ONE" auf dem Display erscheint.
3. Drücken Sie ◀/▶, um zwischen ONE (Aufnahme eines einzelnen CD-Titels), FOLDER (nur mp3-Disc), ALL (Aufnahme einer ganzen CD) zu wählen.

### Aufnehmen einen einzelnen CD-Track:

Wählen Sie ONE, das Symbol "ONE" erscheint auf dem Display. Drücken Sie die Taste **USB REC**, um die Aufnahme des aktuellen Titels zu bestätigen. Auf dem Display erscheint "Wait a moment...", dann blinkt das Symbol "REC" auf dem Display. Drücken Sie **STOP**, um die Aufnahme zu beenden (die Aufnahme stoppt automatisch, wenn der Song beendet ist). Auf dem Display erscheint die Meldung "Ende der Aufnahme".

### Komplette CD-Aufnahme:

Wählen Sie ALL, das Symbol "ALL" erscheint auf dem Display. Drücken Sie **USB REC**, um die CD-Aufnahme zu bestätigen. Auf dem Display erscheint "Wait a moment...", dann blinkt das Symbol "REC" auf dem Display. Drücken Sie **STOP**, um die Aufnahme zu beenden (die Aufnahme wird automatisch beendet, wenn die CD zu Ende ist). Auf dem Display wird "Ende der Aufnahme" angezeigt.

### Ordneraufnahme (MP3):

Wählen Sie FOLDER, das Symbol "FOLD" erscheint auf dem Display. Drücken Sie die **USB REC**-Taste, um die Ordneraufnahme zu bestätigen. Auf dem Display erscheint "Wait a moment...", dann blinkt das Symbol "REC" auf dem Display. Drücken Sie **STOP**, um die Aufnahme zu beenden (die Aufnahme wird automatisch beendet, wenn der Ordner fertig ist). Auf dem Display wird "Aufnahme beenden" angezeigt.

4. Um die Aufnahme anzuhören, drücken Sie wiederholt **CD/USB** oder **MODE**, um den USB-Modus auszuwählen. Die USB-Anzeige erscheint auf dem Display. Drücken Sie ◀/▶, um die gewünschte Aufnahme auszuwählen.

## PHONO

---

1. Drücken Sie **MODE**, bis die PHONO-Anzeige auf dem Display erscheint, um den PHONO-Modus auszuwählen.
2. Entfernen Sie die Nadelkappe und nehmen Sie die Tonarmlehne ab.
3. Legen Sie eine Schallplatte auf den Plattenteller und wählen Sie die gewünschte Geschwindigkeit (33/45/78) entsprechend der Platte.

**HINWEIS:** Wenn Sie 45-RPM-Schallplatten abspielen, setzen Sie den 45-RPM-Adapter auf die mittlere Spindel.

4. Drücken Sie den Hebel nach oben, um den Tonarm anzuheben, und bewegen Sie den Tonarm vorsichtig in die gewünschte Position auf der Schallplatte. Senken Sie den Lifthebel und bewegen Sie den Tonarm langsam auf die Schallplatte, um die Wiedergabe zu starten.

5. Stellen Sie den Lautstärkeregler auf den gewünschten Pegel ein.

6. Wenn der Schalter AUTO STOP auf ON steht, wird die Aufnahme automatisch gestoppt, wenn die Wiedergabe endet. Wenn der Schalter Auto Stop auf OFF steht, wird die Aufnahme NICHT automatisch beendet, wenn die Wiedergabe endet.

**Hinweis:** Bestimmte Schallplattentypen können einen Auto-Stopp-Bereich außerhalb der voreingestellten Grenze haben, so dass der Plattenspieler möglicherweise anhält, bevor der letzte Titel beendet ist oder bevor die Schallplatte zu Ende ist. Stellen Sie in diesem Fall den Auto-Stopp-Schalter auf die Position "OFF".

## AUFNAHME VON DER PHONOANLAGE

---

1. Schließen Sie den USB-Stick/das Kabel an den USB-Anschluss an (stellen Sie sicher, dass der USB-Stick mit fat32 formatiert ist).
2. Befolgen Sie die Anweisungen im Abschnitt "Phono", drücken Sie die **USB REC**-Taste (das Symbol "REC" erscheint im Display), das Symbol "REC" blinkt im Display. Danach wird "Aufnahme" angezeigt und die Aufnahme beginnt.
3. Drücken Sie **STOP**, um die Aufnahme zu beenden, auf dem Display erscheint "Aufnahme beenden".
4. Drücken Sie wiederholt **CD/USB** oder **MODE**, um den USB-Modus auszuwählen und die Aufnahme anzuhören (die USB-Anzeige erscheint auf dem Display). Drücken Sie ◀/▶, um die letzte Datei auf dem USB-Speicher zu suchen, und die Wiedergabe wird automatisch gestartet.

## AUX-INPUT

---

1. Schließen Sie Ihre Zusatzquelle (z.B. MP3-Player) an den AUX-Eingang (3,5 mm) an der Vorderseite des Plattenspielers an (erforderliches Kabel nicht im Lieferumfang enthalten).
2. Drücken Sie **MODE**, bis "AUX" auf dem Display erscheint, um den AUX-Modus zu wählen.
3. Starten Sie die Wiedergabe auf Ihrer Zusatzquelle.
4. Stellen Sie die Lautstärke auf den gewünschten Wert ein.

## AUX AUFNAHME

---

1. Schließen Sie den USB-Stick/das Kabel an den USB-Anschluss an (stellen Sie sicher, dass der USB-Stick mit fat32 formatiert ist).
2. Befolgen Sie die Anweisungen im Abschnitt "AUX-Eingang", drücken Sie die **USB REC**-Taste (das Symbol "REC" erscheint im Display), das Symbol "REC" blinkt im Display. Danach wird "Aufnahme" angezeigt und die Aufnahme beginnt.
3. Drücken Sie **STOP**, um die Aufnahme zu beenden, auf dem Display erscheint "Aufnahme beenden".
4. Drücken Sie wiederholt **CD/USB** oder **MODE**, um den USB-Modus auszuwählen und die Aufnahme anzuhören (die USB-Anzeige erscheint auf dem Display). Drücken Sie ◀/▶, um die letzte Datei auf dem USB-Speicher zu suchen, die Wiedergabe wird automatisch gestartet.

## ABSPIELEN VON USB-LAUFWERK

---

1. Schließen Sie ein USB-Gerät mit MP3-Dateien oder einen MP3-Player an den USB-Anschluss an (stellen Sie sicher, dass das USB-Gerät mit fat32 formatiert ist).
2. Drücken Sie **CD/USB** oder **MODE**, bis die USB-Anzeige auf dem Display erscheint, um den USB-Modus auszuwählen.
3. Stellen Sie die Lautstärke auf den gewünschten Wert ein.
4. Wählen Sie den gewünschten Titel mit den Tasten **PREV/NEXT**.
5. Drücken Sie **PLAY**, um die Wiedergabe abzuspielen/anzuhalten.
6. Drücken Sie **STOP**, um die Wiedergabe zu beenden.

### Wiederholen Sie die Wiedergabe

Drücken Sie **REPEAT**, um einen der folgenden Wiedergabemodi auszuwählen: Einzelwiederholung, Albumwiederholung oder Gesamtwiederholung.

### Zufälliges Spiel

Drücken Sie **RANDOM**, um die Zufallswiedergabe zu starten, drücken Sie erneut **RANDOM**, um den Vorgang abzubrechen.

### Entfernen des USB-Geräts

Bevor Sie das USB-Gerät entfernen, müssen Sie die Wiedergabe stoppen und das Gerät ausschalten, um eine Beschädigung des USB-Laufwerks und des Plattenspielers zu vermeiden.

## BT ABSPIELEN

---

1. Drücken Sie die **MODE**-Taste, um den BT-Modus zu aktivieren ("BT-Modus" wird auf dem Bildschirm angezeigt).
2. Wählen Sie "Fenton recordplayer" von Ihrem BT-Gerät aus und koppeln Sie es. Zur Bestätigung der erfolgreichen Kopplung ertönt ein Signalton.



Hinweis: Die BT-Entfernung beträgt etwa 10 Meter ohne Hindernis.

## AUFNAHME VOM BT-GERÄT

---

1. Schließen Sie den USB-Stick/das Kabel an den USB-Anschluss an (stellen Sie sicher, dass der USB-Stick mit fat32 formatiert ist).
2. Befolgen Sie die Anweisungen im Abschnitt "AUX-Eingang", drücken Sie die **USB REC**-Taste (das Symbol "REC" erscheint im Display), das Symbol "REC" blinkt im Display. Danach wird "Aufnahme" angezeigt und die Aufnahme beginnt.
3. Drücken Sie **STOP**, um die Aufnahme zu beenden, auf dem Display erscheint "Aufnahme beenden".
4. Drücken Sie wiederholt **CD/USB** oder **MODE**, um den USB-Modus auszuwählen und die Aufnahme anzuhören (die USB-Anzeige erscheint auf dem Display). Drücken Sie ◀/▶, um die letzte Datei auf dem USB-Speicher zu suchen, und die Wiedergabe wird automatisch gestartet.

Felicitaciones a la compra de este producto Fenton. Por favor lea atentamente este manual antes de usar el aparato para disfrutar al completo de sus prestaciones.

Seguir las instrucciones le permite no invalidar la garantía. Tome todas las precauciones para evitar que se produzca fuego o una descarga eléctrica. Las reparaciones solo deben llevarse a cabo por técnicos cualificados para evitar descargas eléctricas. Guarde el manual para futuras consultas.

sentirse cierto olor. Esto es normal y desaparece al poco tiempo.

- Este aparato contiene piezas que llevan voltaje. Por lo tanto NO abra la carcasa.
- No coloque objetos metálicos o vierta líquidos dentro del aparato. Podría producir descargas eléctricas y fallos en el funcionamiento.
- No coloque el aparato cerca de fuentes de calor tipo radiadores, etc. No coloque el aparato en superficies vibratorias. No tape los agujeros de ventilación.
- Este aparato no está preparado para un uso continuado.
- Tenga cuidado con el cable de alimentación y no lo dañe. Un daño o defecto en el cable de alimentación puede producir una descarga eléctrica o fallo en el funcionamiento.
- Cuando desconecte el aparato de la toma de corriente, siempre tire de la clavija, nunca del cable.
- No enchufe o desenchufe el aparato con las manos mojadas.
- Si la clavija y/o el cable de alimentación están dañados, necesitan reemplazarse por un técnico cualificado.
- Si el aparato está dañado de modo que puedan verse sus partes internas, NO conecte el aparato a la toma de corriente y NO lo encienda. Contacte con su distribuidor. NO conecte el aparato a un reostato o dimmer.
- Para evitar un fuego o peligro de descarga, no exponga el aparato a la lluvia y a la humedad.
- Todas las reparaciones deben llevarse a cabo exclusivamente por técnicos cualificados.
- Conecte el aparato a una toma de corriente con toma de tierra (220-240Vca/50Hz) protegida por un fusible de 10-16A.
- Durante una tormenta o si el aparato no va a usarse durante un periodo largo de tiempo, desconéctelo de la toma de corriente. La regla es: Desconéctelo si no lo va a usar.
- Si el aparato no se ha usado en mucho tiempo puede producirse condensación. Deje el aparato a temperatura ambiente antes de encenderlo. Nunca utilice el aparato en ambientes húmedos o en el exterior.
- Para prevenir accidentes en las empresas, debe seguir las directrices aplicables y seguir las instrucciones.
- No lo apague y encienda repetidamente. Esto acorta su tiempo de vida.
- Mantenga el aparato fuera del alcance de los niños. No deje el aparato sin vigilancia.
- No utilice sprays limpiadores para limpiar los interruptores. Los residuos de estos sprays producen depósitos de polvo y grasa. En caso de mal funcionamiento, siempre consulte a un profesional.
- No fuerce los controles.
- Si el aparato se ha caído, siempre haga que lo verifique un técnico cualificado antes de encenderlo otra vez.
- NO utilice productos químicos para limpiar el aparato. Dañan el barniz. Tan solo límpielo con un trapo seco.
- Manténgalo lejos de equipos electrónicos ya que pueden producir interferencias.
- Si este producto incorpora una batería recargable con base ácida, por favor recargue batería cada 3 meses si no va a usar la unidad por un tiempo prolongado. En caso contrario la batería podría dañarse.
- Solo utilice recambios originales para las reparaciones, de otro modo pueden producirse daños serios y/o radiaciones peligrosas.
- Apague el aparato antes de desconectarlo de la toma de corriente y/o de otros equipos. Desconecte todos los cables y conexiones antes de mover el aparato.
- Asegúrese de que el cable de alimentación no puede dañarse cuando la gente lo pise. Compruebe el cable de alimentación antes de cada uso por si hay daños o defectos.
- El voltaje de funcionamiento es 220-240Vca/50Hz. Compruebe que la toma de corriente coincide. Si tiene que viajar, asegúrese de que el voltaje del país es el adecuado para este aparato.
- Guarde el embalaje original para poder transportar el aparato en condiciones seguras.



Esta señal advierte al usuario de la presencia de alto voltaje en el interior de la carcasa y que es de la suficiente magnitud como para producir una descarga eléctrica.



Esta señal advierte al usuario de que el manual contiene instrucciones importantes que han de leerse y seguirse al pie de la letra.

**NOTA:** Para asegurarse de que el aparato funcione correctamente, debe usarse en ambientes a una temperatura de entre 5°C/41°F y 35°C/95°F.



Los productos electrónicos no pueden tirarse a la basura normal. Por favor lleve este producto a un centro de reciclaje. Pregunte a la autoridad local en caso de duda. Las especificaciones son generales. Los valores actuales pueden variar de una unidad a otra. Las especificaciones pueden variar sin previo aviso.

*Nunca intente reparar usted mismo este equipo. Esta manipulación anulará la garantía. No realice cambios en la unidad. Esta manipulación anulará la garantía. Esta garantía no es aplicable en caso de accidente o daños ocasionados por uso indebido del aparato o mal uso del mismo. Fenton no se hace responsable de daños personales causados por el no seguimiento de las normas e instrucciones de este manual. Esto es aplicable también a los daños de cualquier tipo.*

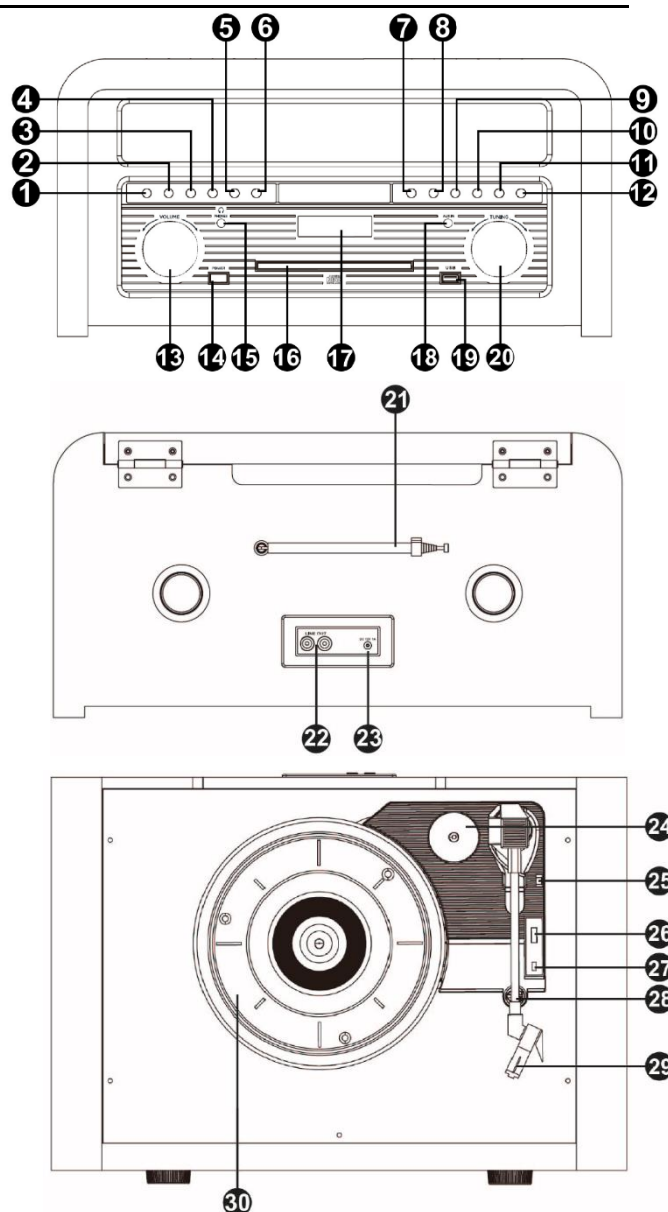
## INSTRUCCIONES DE DESEMBALAJE

**ATENCIÓN!** Inmediatamente después de recibir un dispositivo, desempaqué cuidadosamente la caja de cartón, compruebe el contenido para asegurarse de que todas las partes están presentes, y se han recibido en buenas condiciones. Notifique inmediatamente al transportista y conserve el material de embalaje para la inspección por si aparecen daños causados por el transporte o el propio envase muestra signos de mal manejo. Guarde el paquete y todos los materiales de embalaje. En el caso de que deba ser devuelto a la fábrica, es importante que el aparato sea devuelto en la caja de la fábrica y embalaje originales.

Si el aparato ha estado expuesto a grandes cambios de temperatura (tras el transporte), no lo enchufe inmediatamente. La condensación de agua producida podría dañar su aparato. Deje el dispositivo apagado hasta que se haya alcanzado la temperatura ambiente.

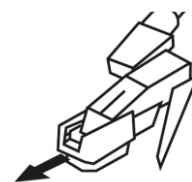
## VISION GENERAL

1. CD/USB
2. Programa
3. Repetir/Preajustar
4. Aleatorio/Alarma
5. USB Rec
6. Standby/On
7. Abrir/Cerrar/Menú/Información
8. STOP/Escaneo/Snooze
9. ◀ Estaciones preseleccionadas -/Anterior
10. Introducir/Reproducir
11. ▶ Estaciones preseleccionadas +/Siguiete
12. Modo
13. Control de volumen
14. Encendido/Apagado
15. Toma de auriculares
16. Reproductor de CD
17. Pantalla LCD
18. Toma de entrada AUX
19. Puerto USB
20. Botón de sintonía
21. Antena FM
22. Toma de salida de dispositivo externo
23. ENTRADA DE CC
24. Adaptador de 45RPM
25. Palanca de elevación
26. Selector de velocidad (33/45/78)
27. PARADA AUTOMÁTICA
28. Apoyabrazos de tono
29. Cartucho
30. Plato



## OPERACIÓN

1. Conecte el tocadiscos con el adaptador de corriente y enchufe el otro extremo en una toma de corriente de la pared.
2. Retire la cubierta protectora blanca de la aguja tirando suavemente hacia la parte delantera de la unidad.
3. Coloque un disco de vinilo en el plato del tocadiscos y seleccione la velocidad deseada (33/45/78RPM) según el disco.
4. Abra el clip del brazo de tono para liberar el brazo de tono. Mueva suavemente el brazo de tono y coloque el cartucho en la posición deseada del disco y el tocadiscos comenzará a reproducirse.
5. Gire el botón de control de volumen en el sentido de las agujas del reloj para ajustar el volumen.



**Nota:** Si el interruptor AUTO STOP ON/OFF está activado, el disco se detendrá automáticamente al terminar. Si el control de parada automática está apagado, el disco NO se detendrá automáticamente cuando termine.

## MENÚ DE CONFIGURACIÓN

---

### Navegación por el menú de configuración

1. En el modo FM o DAB, pulse **MENU/INFO** para entrar en el menú de configuración.
2. Gire el botón **TUNING** para desplazarse a una de las opciones disponibles.
3. Pulse el botón **ENTER** para entrar en el submenú de configuración elegido.

### Menú de configuración de DAB+

Escaneo completo - Esta función le permite escanear automáticamente y crear una lista de las emisiones DAB+ que se pueden recibir.

Manual - Esta función se puede utilizar para obtener la recepción óptima para un canal o frecuencia específicos.

### DRC (Compresión de Rango Dinámico)

DRC puede hacer que los sonidos más silenciosos sean más fáciles de escuchar cuando la unidad se utiliza en un entorno ruidoso. Gire el botón **TUNING** para seleccionar el nivel de DRC deseado: off, low, high.

### Prune - Eliminar emisoras

Elimine las emisoras que aparecen en la lista pero que no están disponibles. Esta función puede eliminar todas las emisoras no válidas indicadas en la lista de emisoras con un "?" delante del nombre de la emisora.

### Sistema

Elija para seleccionar las opciones de configuración del sistema: Sueño, Alarma, Hora, Idioma, Restablecimiento de Fábrica, Actualización de Software, Versión de Software.

**Dormir** - Entrar en la función de dormir.

**Alarma** - Para ajustar la función de alarma.

**Hora** - Para ajustar la configuración de la hora y la fecha.

**Idioma** - Para seleccionar el idioma deseado del menú de la unidad.

**Restablecimiento de fábrica** - Para borrar todos los ajustes definidos por el usuario. Cuando entre en el modo de restablecimiento de fábrica, gire el botón **TUNING** para seleccionar "YES". Pulse el botón **ENTER** para confirmar la restauración de los ajustes de fábrica. Seleccione "NO" para cancelar esta selección.

**Versión SW** - Muestra la versión actual del software.

### Menú de configuración de FM

#### Ajustes de exploración

Emisoras fuertes: La función de búsqueda automática sólo selecciona las emisoras fuertes.

Todas las emisoras: La búsqueda automática selecciona cualquier emisora disponible.

#### Ajustes de audio

Para elegir entre "Estéreo o mono" y "Mono forzado" para la radio FM.

#### Sistema

Consulte el modo de configuración del sistema DAB.

## AJUSTE DE LA HORA Y LA FECHA

---

La primera vez que escuche la radio DAB, la hora y la fecha de su producto se sincronizarán automáticamente con el servicio DAB, por lo que no es necesario ajustar la hora y la fecha manualmente.

Si desea ajustar la hora y la fecha manualmente, encienda la radio y siga los pasos que se indican a continuación:

1. Mantenga pulsado el botón **MENU/INFO** en el modo DAB o FM.
2. Gire el botón **TUNING** para desplazarse hasta "System". Pulse el botón **ENTER** para entrar en esta opción.
3. Gire el botón **TUNING** para desplazarse hasta "Time". Pulse el botón **ENTER** para entrar en esta opción. Aparece "Set Time/Date", los dígitos de la hora parpadearán. Utilice el botón **TUNING** para ajustar la hora. Pulse el botón **ENTER** para confirmar las horas.
4. Ahora parpadearán los dígitos de los minutos. Utilice el botón **TUNING** para ajustar los minutos. Pulse el botón **ENTER** para confirmar.
5. Se muestra "Set date" y el día parpadea. Utilice el botón **TUNING** y el botón **ENTER** para ajustar el día, el mes y el año.
6. Confirme la fecha. Aparece "Hora guardada", la pantalla vuelve a "set/hora/fecha".

Puede utilizar el botón **TUNING** y el botón **ENTER** para configurar lo siguiente:

**FIJAR FORMATO DE HORA:** Visualización de un reloj de 12/24 horas;

**FIJAR FORMATO DE FECHA:** DD-MM-AAAA o MM-DD-AAAA;

**AUTO UPDATE:** Actualización automática de la hora a partir de la señal DAB, la señal FM, cualquiera (señal DAB o FM).

## ESCUCHAR LA RADIO FM

---

Pulse el botón **MODE** hasta que aparezca "FM" en la pantalla para seleccionar el modo FM.

### Búsqueda manual

Elija la emisora de radio girando el mando **TUNING** o pulsando los botones ◀/▶.

### Búsqueda automática

Pulsando prolongadamente los botones ◀/▶, la radio buscará automáticamente una emisora anterior/siguiente y se detendrá en una emisora con señal suficientemente fuerte.

### Estaciones preseleccionadas

Esta unidad puede almacenar hasta 20 emisoras FM y 20 DAB/DAB+.

1. Pulse **MODE** para seleccionar el modo FM o DAB/DAB+.
2. Seleccione una emisora de radio.
3. Mantenga pulsado **PRESET** para entrar en el modo de almacenamiento de presintonías.
4. Utilice el mando **TUNING** para seleccionar una ranura de canal.
5. Pulse **ENTER** para almacenar la emisora. La emisora seleccionada se guardará automáticamente después de unos segundos si no se registra ninguna otra entrada. En ambos casos se mostrará "Stored".
6. Repita el paso 1-5 para almacenar otras emisoras.

### Escuchar los preajustes de la radio

1. Pulse **MODE** para seleccionar FM o DAB/DAB+.
2. Pulse **PRESET** y, a continuación, pulse los botones ◀/▶ para seleccionar la emisora deseada.
3. Pulse **ENTER** para confirmar su elección.

### RADIO DAB/DAB+

---

1. Pulse **MODE** hasta que aparezca "DAB" en la pantalla para seleccionar el modo DAB.
2. La unidad iniciará una búsqueda de emisoras DAB/DAB+ automáticamente, si es la primera vez que se utiliza. "Scanning" aparecerá en la pantalla.
3. Cuando la búsqueda se haya completado, la unidad seleccionará la primera emisora disponible y comenzará a reproducirse automáticamente. Las emisoras aparecerán por defecto en orden numérico y luego alfabético.

**Nota:** Cuando se almacena la lista de emisoras de radio DAB/DAB+, no se volverá a buscar automáticamente.

Pulse **SCAN** para buscar y listar la emisora.

4. Gire el botón **TUNING** para seleccionar una emisora.
5. Cuando haya elegido la emisora deseada, pulse **ENTER** para confirmar. Habrá un breve retraso mientras su radio sintoniza la emisora seleccionada.

Nota:

- Si no se encuentra ninguna emisora mediante la búsqueda DAB/DAB+, aparecerá "No DAB Station" en la pantalla.
- Para una mejor recepción, extienda la antena telescópica.
- Durante la operación de búsqueda, el nivel de sonido se silencia automáticamente.

### AJUSTES DE LA ALARMA/SUEÑO

---

#### Ajuste de la alarma

1. Pulse **MENU/INFO** en el modo DAB o FM.
2. Gire el botón **TUNING** para seleccionar <Sistema>. Pulse **ENTER** para entrar en esta opción. Gire el botón **TUNING** para seleccionar <Alarma>, Pulse **ENTER** para entrar en esta opción. O bien, pulse el botón **ALARM** en el modo STANDBY.
3. Gire el botón **TUNING** para desplazarse entre <Alarm 1 Setup> y <Alarm 2 Setup>.
4. Pulse el botón **ENTER** para seleccionar la <Alarm 1 set up>.
5. Los dígitos de la hora parpadearán. Utilice el botón **TUNING** para ajustar la hora. Pulse el botón **ENTER** para confirmar. Ahora parpadearán los dígitos de los minutos. Utilice el botón **TUNING** para ajustar los minutos. Pulse el botón **ENTER** para confirmar.
6. Gire el botón **TUNING** para ajustar la duración de la alarma (15-30-45-60-90), pulse **ENTER** para confirmar. Cuando se haya alcanzado la duración de la alarma, ésta se detendrá.
7. Gire el botón **TUNING** para seleccionar Buzzer, DAB o FM para despertar. Pulse **ENTER** para confirmar.
8. Gire el botón **TUNING** para especificar una de las siguientes opciones de frecuencia de alarma: "Diario", "Una vez", "Fines de semana" y "Días laborables". Pulse **ENTER** para confirmar. A continuación, ajuste el nivel de volumen.
9. Se mostrará el estado de la alarma. Gire el botón **TUNING** para ajustar la alarma, pulse **ENTER** para confirmar. En la pantalla se mostrará "Alarma guardada".

#### Detener la alarma

1. Repetición de la alarma  
Pulse **SCAN**. La alarma se detiene y volverá a sonar 9 minutos después (snooze).
2. Parada de la alarma  
Pulse **STANDBY/ON** para detener la alarma.
3. Cancelación de la alarma  
Por favor, consulte los pasos 1-9 de "ajuste de la alarma".

#### Función de reposo

1. Pulse **MENU/INFO**. Gire el botón **TUNING** para seleccionar "system" y pulse **ENTER** para confirmar esta opción.
2. Gire el botón **TUNING** para seleccionar "sleep". Pulse **ENTER** para confirmar esta opción.
3. Gire el botón **TUNING** para ajustar el temporizador de apagado (off-15-30-45-60-90 minutos).
4. Pulse **ENTER** para confirmar.

### ESCUCHAR EL DISCO CD/MP3

---

1. Cuando la unidad esté encendida, pulse el botón CD/USB o el botón **MODE** hasta que aparezca "CD" en la pantalla para seleccionar el modo CD.
2. Pulse el botón **OPEN/CLOSE** para abrir la bandeja de discos, la pantalla muestra "OPEN". Inserte un disco con la cara de la etiqueta hacia arriba. Pulse de nuevo el botón **OPEN/CLOSE** para cerrar la bandeja de discos.
3. La pantalla mostrará "CD--READING" durante unos segundos, luego la reproducción comienza automáticamente.
4. Seleccione la pista deseada con el botón **PREV/NEXT**.
5. Pulse **PLAY** para suspender la reproducción momentáneamente. Pulse **PLAY** de nuevo para reanudar la reproducción.
6. Pulse **STOP** para detener la reproducción.

#### Repetición de la reproducción

Pulse **REPEAT** para seleccionar uno de los siguientes modos de reproducción: Repetición simple, repetir álbum o repetir todo.

#### Reproducción aleatoria

Pulse **RANDOM** para reproducir aleatoriamente, pulse **RANDOM** de nuevo para cancelar.

## GRABACIÓN DEL CD/MP3

---

### Grabación

1. Inserte el lápiz/cable USB en el puerto USB (asegúrese de que el lápiz USB está formateado en fat32).
2. Siga el mismo procedimiento que en la sección "Escuchar el disco CD/MP3". Pulse **USB/REC** (el icono "REC ONE" aparece en la pantalla).
3. Pulse los botones **PREV/NEXT** para seleccionar ONE (grabación de una sola canción), FOLDER (sólo disco mp3) o ALL (grabación de todo el cd) para grabar.

### Grabación de una sola canción:

Seleccione ONE, el icono "ONE" aparece en la pantalla. Pulse el botón **USB/REC** para confirmar la grabación de la canción actual. La pantalla mostrará "Por favor, espere..." durante unos segundos, luego el icono "REC" parpadeará en la pantalla. Pulse el botón **STOP** para detener la grabación o espere a que la unidad se detenga automáticamente cuando termine la canción. La pantalla mostrará "Fin de grabación".

### Grabación en carpeta (MP3):

Seleccione FOLDER, el icono "FOLD" aparece en la pantalla. Pulse el botón **USB/REC** para confirmar la grabación de la carpeta. La pantalla mostrará "Por favor, espere..." durante unos segundos, luego el icono "REC" parpadeará en la pantalla. Pulse el botón de parada para detener la grabación o espere a que la unidad se detenga automáticamente cuando la carpeta haya terminado. La pantalla mostrará "Fin de la grabación".

### Grabación de todo el CD:

Seleccione ALL, el icono "ALL" aparece en la pantalla. Pulse el botón **USB/REC** para confirmar la grabación del CD. La pantalla mostrará "Por favor, espere..." durante unos segundos, luego el icono "REC" parpadeará en la pantalla. Pulse el botón de parada para detener la grabación o espere a que la unidad se detenga automáticamente cuando el CD haya terminado. La pantalla mostrará "Fin de la grabación".

4. Para escuchar la grabación, pulse repetidamente **CD/USB** o **MODE** para seleccionar el modo USB. El indicador USB aparece en la pantalla. Pulse los botones **PREV/NEXT** para seleccionar la grabación deseada.

## ESCUCHAR EL FONO

---

1. Cuando la unidad esté encendida, pulse **MODE** hasta que el indicador PHONO aparezca en la pantalla para seleccionar el modo fono.
2. Retire la tapa de la aguja y libere el soporte del brazo de tono.
3. Coloque un disco en el plato del giradiscos y seleccione la velocidad deseada (33/45/78) según el disco.

**NOTA:** Si está reproduciendo discos de 45RPM, coloque el adaptador de 45 RPM en el eje central.

4. Empuje hacia arriba la palanca de elevación para levantar el brazo de tono y mueva suavemente el brazo de tono a la posición deseada sobre el disco. Empuje hacia abajo la palanca de elevación, mueva el brazo de tono lentamente sobre el disco para comenzar la reproducción.
5. Ajuste el control de volumen al nivel deseado.
6. Si el interruptor AUTO STOP ON/OFF está activado, el disco se detendrá automáticamente cuando finalice la reproducción. Si el interruptor de parada automática está apagado, la grabación NO se detendrá automáticamente cuando termine la reproducción.

**Nota:** Ciertos tipos de discos pueden tener un área de parada automática fuera del límite preestablecido, por lo que el tocadiscos puede detenerse antes de que termine la última pista, o antes de que el disco haya terminado. Si esto ocurre, coloque el interruptor de parada automática en la posición "OFF".

## GRABACIÓN DEL FONO

---

1. Inserte la memoria USB/cable en el puerto USB (asegúrese de que la memoria USB está formateada en fat32).
2. Siga el mismo procedimiento que en la sección "escuchar el fono". Pulse el botón **USB/REC** (el icono "REC" aparece en la pantalla). La pantalla mostrará "Por favor, espere..." durante unos segundos, luego el icono "REC" parpadeará en la pantalla. La unidad comenzará a grabar.
3. Pulse **STOP** para detener la grabación, en la pantalla aparecerá "Fin de grabación".
4. Para escuchar la grabación, pulse repetidamente el botón **CD/USB** o **MODE** para seleccionar el modo USB. El indicador USB aparece en la pantalla. Pulse los botones **PREV/NEXT** para seleccionar el último archivo de la unidad USB que desee reproducir.

## ENTRADA AUX

---

1. Conecta tu fuente auxiliar (por ejemplo, un reproductor de mp3) a la toma AUX IN (3,5 mm) situada en la parte frontal del tocadiscos. (cable no incluido)
2. Pulse **MODE** hasta que aparezca "AUX" en la pantalla para seleccionar el modo AUX.
3. Inicie la reproducción en su fuente auxiliar.
4. Ajuste el volumen al nivel deseado.

## GRABACIÓN DE LA ENTRADA AUXILIAR

---

1. Inserte la memoria USB/cable en el puerto USB (asegúrese de que la memoria USB está formateada en fat32).
2. Siga el mismo procedimiento que en la sección "Aux in". Pulse el botón **USB/REC** (el icono "REC" aparece en la pantalla). La pantalla mostrará "Por favor, espere..." durante unos segundos, luego el icono "REC" parpadeará en la pantalla. La unidad comenzará a grabar.
3. Pulse **STOP** para detener la grabación, en la pantalla aparecerá "Fin de grabación".
4. Para escuchar la grabación, pulse repetidamente el botón **CD/USB** o el botón de modo para seleccionar el modo USB. El indicador USB aparece en la pantalla. Pulse los botones **PREV/NEXT** para seleccionar el último archivo de la unidad USB que desee reproducir.



## REPRODUCCIÓN DESDE LA UNIDAD USB

---

1. Conecte un dispositivo USB que contenga archivos MP3 o un reproductor de MP3 al puerto USB (asegúrese de que el dispositivo usb está formateado en fat32).
2. Pulse **CD/USB** o **MODE** hasta que el indicador USB aparezca en la pantalla para seleccionar el modo USB.
3. Ajuste el volumen al nivel deseado.
4. Seleccione la pista deseada con el botón **PREV/NEXT**.
5. Pulse **PLAY** para reproducir/pausar la reproducción.
6. Presione **STOP** para detener la reproducción.

### Repetición de la reproducción

Pulse **REPEAT** para seleccionar uno de los siguientes modos de reproducción: repetición simple, repetición de álbum o repetición de todo.

### Reproducción aleatoria

Pulse **RANDOM** para reproducir aleatoriamente, pulse de nuevo **RANDOM** para cancelar.

### Extracción del dispositivo USB

Asegúrese de detener la reproducción y apagar la unidad antes de retirar el dispositivo USB para evitar dañar la unidad USB y el tocadiscos.

## JUGAR A TRAVÉS DE BT

---

1. Pulse el botón **MODE** para entrar en el modo BT. (El modo BT aparecerá en la pantalla)
2. Seleccione "**Fenton recordplayer**" en su dispositivo BT y emparejelo. Se emitirá un sonido para confirmar que el emparejamiento se ha realizado correctamente.



Atención: La distancia BT es de aproximadamente 10 metros sin ninguna barrera.

## GRABACIÓN BT

---

1. Inserte la memoria USB/cable en el puerto USB (asegúrese de que la memoria USB está formateada en fat32).
2. Siga el mismo procedimiento que en el apartado "Reproducción por BT". Pulse el botón **USB/REC** (el icono "REC" aparece en la pantalla). La pantalla mostrará "Por favor, espere..." durante unos segundos, luego el icono "REC" parpadeará en la pantalla. La unidad comenzará a grabar.
3. Pulse **STOP** para detener la grabación, en la pantalla aparecerá "Fin de grabación".
4. Para escuchar la grabación, pulse repetidamente el botón **CD/USB** o el botón de modo para seleccionar el modo USB. El indicador USB aparece en la pantalla. Pulse los botones **PREV/NEXT** para seleccionar el último archivo de la unidad USB que desee reproducir.

Nous vous remercions d'avoir acheté un produit Fenton. Veuillez lire la présente notice avant l'utilisation afin de pouvoir en profiter pleinement.

Veillez lire la notice avant toute utilisation. Respectez impérativement les instructions afin de continuer à bénéficier de la garantie. Prenez toutes les précautions nécessaires pour éviter tout incendie ou décharge électrique. Seul un technicien spécialisé peut effectuer les réparations. Nous vous conseillons de conserver la présente notice pour pouvoir vous y reporter ultérieurement.

- Avant d'utiliser l'appareil, prenez conseil auprès d'un spécialiste. Lors de la première mise sous tension, il est possible qu'une odeur soit perceptible. C'est normal, l'odeur disparaîtra peu de temps après.
- L'appareil contient des composants porteurs de tension. N'OUVREZ JAMAIS le boîtier.
- Ne placez pas des objets métalliques ou du liquide sur l'appareil, cela pourrait causer des décharges électriques et dysfonctionnements..
- Ne placez pas l'appareil à proximité de sources de chaleur, par exemple radiateur. Ne positionnez pas l'appareil sur une surface vibrante. N'obturez pas les ouïes de ventilation.
- L'appareil n'est pas conçu pour une utilisation en continu.
- Faites attention au cordon secteur, il ne doit pas être endommagé.
- Lorsque vous débranchez l'appareil de la prise secteur, tenez-le par la prise, ne tirez jamais sur le cordon.
- Ne branchez pas et ne débranchez pas l'appareil avec les mains mouillées.
- Seul un technicien spécialisé peut remplacer la fiche secteur et / ou le cordon secteur.
- Si l'appareil est endommagé et donc les éléments internes sont visibles, ne branchez pas l'appareil, NE L'ALLUMEZ PAS. Contactez votre revendeur. NE BRANCHEZ PAS l'appareil à un rhéostat ou un dimmer.
- Pour éviter tout risque d'incendie ou de décharge électrique, n'exposez pas l'appareil à la pluie ou à l'humidité.
- Seul un technicien habilité et spécialisé peut effectuer les réparations
- Branchez l'appareil à une prise secteur 220-240 Vac/50 Hz avec terre, avec un fusible 10-16 A.
- Pendant un orage ou en cas de non utilisation prolongée de l'appareil, débranchez l'appareil du secteur.
- En cas de non utilisation prolongée de l'appareil, de la condensation peut être créée. Avant de l'allumer, laissez l'appareil atteindre la température ambiante. Ne l'utilisez jamais dans des pièces humides ou en extérieur.
- Afin d'éviter tout accident en entreprise, vous devez respecter les conseils et instructions.
- N'allumez pas et n'éteignez pas l'appareil de manière répétée. Cela réduit sa durée de vie.
- Conservez l'appareil hors de la portée des enfants. Ne laissez pas l'appareil sans surveillance.
- N'utilisez pas d'aérosols pour nettoyer les interrupteurs. Les résidus créent des dépôts et de la graisse. En cas de dysfonctionnement, demandez conseil à un spécialiste.
- Ne forcez pas les réglages.
- L'appareil contient un haut-parleur pouvant engendrer des champs magnétiques. Tenez cet appareil à 60 cm au moins d'un téléviseur ou ordinateur.
- Si le produit comprend un accumulateur intégré plomb-acide, rechargez l'accumulateur tous les 3 mois en cas de non utilisation prolongée de l'appareil. Sinon, l'accumulateur pourrait être endommagé de manière permanente.
- Si l'accumulateur est endommagé, remplacez-le par un accumulateur de même type et déposez l'ancien accumulateur dans un container de recyclage adapté.
- Si l'appareil est tombé, faites-le toujours vérifier par un technicien avant de le rallumer.
- Pour nettoyer l'appareil, n'utilisez pas de produits chimiques qui abîment le revêtement, utilisez uniquement un tissu sec.
- Tenez toujours l'appareil éloigné de tout équipement électrique pouvant causer des interférences.
- Pour toute réparation, il faut impérativement utiliser des pièces d'origine, sinon il y a risque de dommages graves et / ou de radiations dangereuses.
- Eteignez toujours l'appareil avant de le débrancher du secteur et de tout autre appareil. Débranchez tous les cordons avant de déplacer l'appareil.
- Assurez-vous que le cordon secteur n'est pas abîmé si des personnes viennent à marcher dessus. Avant toute utilisation, vérifiez son état.
- La tension d'alimentation est de 220-240Vac/50 Hz. Vérifiez la compatibilité. Si vous voyagez, vérifiez que la tension d'alimentation du pays est compatible avec l'appareil.
- Conservez l'emballage d'origine pour pouvoir transporter l'appareil en toute sécurité.



Ce symbole doit attirer l'attention de l'utilisateur sur les tensions élevées présentes dans le boîtier de l'appareil, pouvant engendrer une décharge électrique.



Ce symbole doit attirer l'attention de l'utilisateur sur des instructions importantes détaillées dans la notice, elles doivent être lues et respectées.

Cet appareil porte le symbole CE. Il est interdit d'effectuer toute modification sur l'appareil. La certification CE et la garantie deviendraient caduques !

**NOTE:** Pour un fonctionnement normal de l'appareil, il doit être utilisé en intérieur avec une plage de température maximale autorisée entre 5°C/41°F et 35°C/95°F.



Ne jetez pas les produits électriques dans la poubelle domestique. Déposez-les dans une décharge. Demandez conseil aux autorisés ou à votre revendeur. Données techniques réservées. Les valeurs actuelles peuvent varier d'un produit à l'autre. Tout droit de modification réservé sans notification préalable.

*N'essayez pas de réparer l'appareil vous-même. Vous perdriez tout droit à la garantie. Ne faites aucune modification sur l'appareil. Vous perdriez tout droit à la garantie La garantie deviendrait également caduque en cas d'accidents ou dommages causés par une utilisation inappropriée de l'appareil ou un non respect des consignes présentes dans cette notice. Fenton ne pourrait être tenu responsable en cas de dommages matériels ou corporels causés par un non respect des consignes de sécurité et avertissements. Cela est également valable pour tous les dommages quelle que soit la forme.*

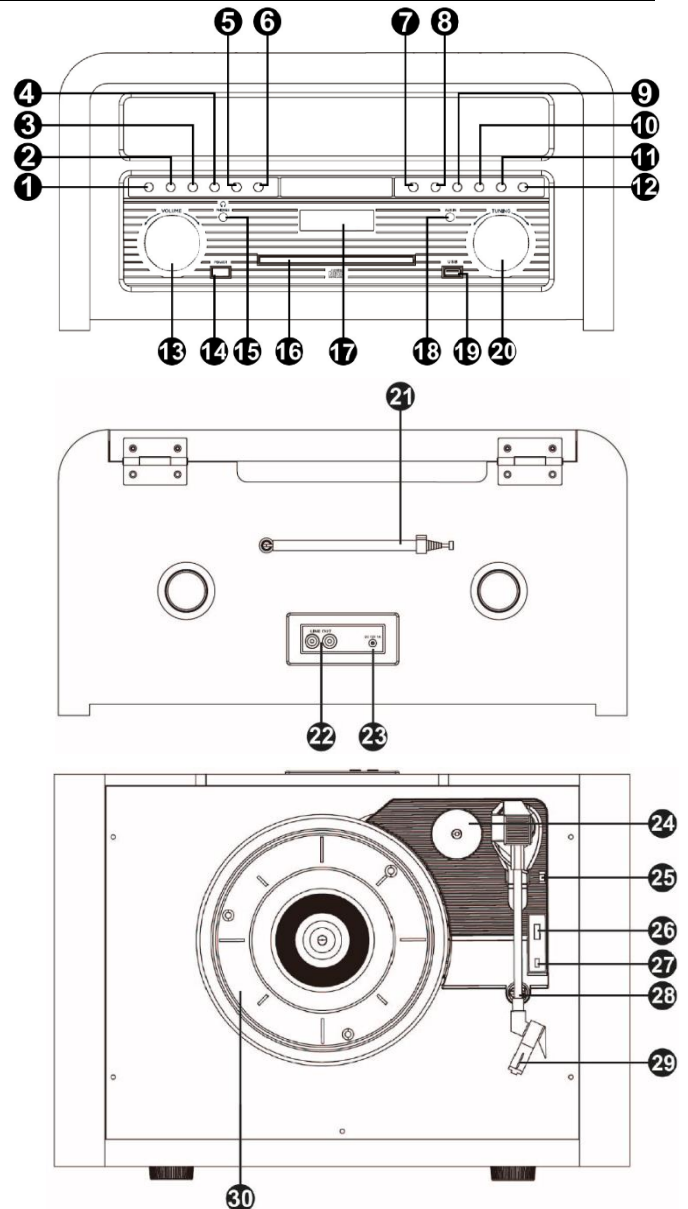
## INSTRUCTIONS DE DEBALLAGE

**ATTENTION !** Dès la réception du produit, déballez soigneusement le carton, vérifiez le contenu pour vous assurer que toutes les pièces sont présentes et sont en bon état. Informez immédiatement l'expéditeur et conservez les matériaux d'emballage si des pièces semblent endommagées par le transport ou si l'emballage lui-même présente des signes de mauvaise manipulation. Conservez l'emballage et tous les matériaux d'emballage. Dans le cas où le produit doit être renvoyé à l'usine, il est important que le produit soit renvoyé dans la boîte et l'emballage d'origine.

Si l'appareil a été exposé à de fortes variations de température (par exemple, après un transport), ne le mettez pas en marche immédiatement. La condensation qui en résulte pourrait endommager votre appareil. Laissez l'appareil éteint jusqu'à ce qu'il ait atteint la température ambiante.

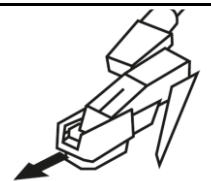
## PRESENTATION

1. CD/USB
2. Programmation
3. Repeat/Preset – Répétition/Préset
4. Random/Alarm – Aléatoire/Alarme
5. USB Rec
6. Standby/On
7. Open/Close / Menu/Info
8. STOP/Scan/Snooze
9. ◀ Sélection stations -/Précédent
10. Enter/Play
11. ▶ Sélection stations +/Suivant
12. Mode
13. Réglage volume
14. Power On/Off
15. Prise casque
16. Lecteur CD
17. Affichage LCD
18. Entrée AUX
19. Port USB
20. Bouton réglage
21. Antenne FM
22. Sortie pour appareil externe
23. DC IN
24. Adaptateur 45 tours
25. Levier bras
26. Sélecteur vitesse (33/45/78)
27. AUTO STOP
28. Support bras
29. Cellule
30. Plateau



## FONCTIONNEMENT

1. Reliez la platine disque au bloc secteur et à une prise secteur murale.
2. Retirez le cache blanc de protection de l'aiguille en tirant doucement vers l'avant de l'appareil.
3. Placez un disque vinyle sur le plateau de la platine et sélectionnez la vitesse souhaitée (33/45/78 tr/mn) en fonction du disque.
4. Ouvrez le clip du bras de lecture pour libérer le bras de lecture. Déplacez doucement le bras de lecture et placez la cellule sur la position désirée du disque, la lecture démarre.
5. Tournez le bouton de réglage du volume dans le sens des aiguilles d'une montre pour régler le volume.



**Remarque :** Si l'interrupteur ON/OFF d'arrêt automatique est sur ON, le disque s'arrêtera automatiquement une fois terminé. Si la commande d'arrêt automatique est désactivée (OFF), le disque ne s'arrêtera PAS automatiquement une fois terminé.

## MENU DE REGLAGE

---

### Navigation dans le menu de réglage

1. En mode FM ou DAB, appuyez sur **MENU/INFO** pour accéder au menu de réglage.
2. Tournez le bouton **TUNING** pour faire défiler les options disponibles.
3. Appuyez sur **ENTER** pour accéder au sous-menu sélectionné.

### Menu réglage DAB+

Full scan – Cette fonction vous permet de balayer automatiquement et de créer une liste des stations DAB+ recevables.

Manuel - Cette fonction peut être utilisée pour obtenir une réception optimale pour une station ou une fréquence spécifique.

### DRC (Compression plage dynamique)

La fonction DRC peut rendre les sons les plus faibles plus faciles à entendre lorsque l'appareil est utilisé dans un environnement bruyant. Tournez le bouton **TUNING** pour sélectionner le niveau de DRC souhaité : off, low, high.

### Prune – Supprimer des stations

Supprimer les stations répertoriées mais non disponibles. Cette fonction permet de supprimer toutes les stations non valides indiquées dans la liste des stations avec un "?" devant le nom de la station

### Système

Choisissez pour sélectionner les options des paramètres du système : Veille, Alarme, Heure, Langue, Réinitialisation usine, Mise à niveau du logiciel, Version du logiciel.

**Sleep** - Pour accéder à la fonction de veille.

**Alarme** - Pour régler la fonction d'alarme.

**Time** - Pour régler l'heure et la date.

**Langue** - Pour sélectionner la langue souhaitée pour le menu de l'appareil.

**Factory Reset** - Pour effacer tous les paramètres définis par les utilisateurs. Lorsque vous passez en mode de réinitialisation, tournez le bouton TUNING pour sélectionner "YES". Appuyez sur la touche ENTER pour confirmer la restauration des paramètres d'usine par défaut. Sélectionnez "NO" pour annuler cette sélection.

**SW Version** - Affiche la version actuelle du logiciel

### Menu réglages FM

#### Réglages Scan

Stations fortes : La fonction de recherche automatique ne sélectionne que les stations fortes.

Toutes les stations : La recherche automatique sélectionne toutes les stations disponibles.

#### Réglages Audio

Pour choisir entre "Stéréo ou mono" et "mono forcé" pour la radio FM.

#### Système

Reportez-vous au mode de configuration du système DAB.

## REGLAGE DATE ET HEURE

---

La première fois que vous écoutez la radio DAB, l'heure et la date sont automatiquement synchronisées avec le service DAB. Il n'est donc pas nécessaire de régler l'heure et la date manuellement.

Si vous souhaitez régler l'heure et la date manuellement, allumez la radio et suivez les étapes ci-dessous :

1. Appuyez sur la touche **MENU/INFO** et maintenez-la enfoncée en mode DAB ou FM.
2. Tournez le bouton **TUNING** pour faire défiler jusqu'à "System". Appuyez sur la touche **ENTER** pour accéder à cette option.
3. Tournez le bouton **TUNING** pour faire défiler "Time". Appuyez sur la touche **ENTER** pour accéder à cette option.  
L'écran affiche "Set Time/Date", les chiffres des heures clignotent. Utilisez le bouton **TUNING** pour régler l'heure. Appuyez sur la touche **ENTER** pour confirmer les heures.
4. Les chiffres des minutes clignotent. Utilisez le bouton **TUNING** pour régler les minutes. Appuyez sur la touche **ENTER** pour confirmer.
5. L'indication "Set date" s'affiche et le jour clignote. Utilisez le bouton **TUNING** et la touche **ENTER** pour régler le jour, le mois et l'année.
6. Confirmez la date. Le message "Time saved" s'affiche et l'écran revient à "set/time/date".

Vous pouvez utiliser le bouton **TUNING** et la touche **ENTER** pour régler les paramètres suivants :

**SET TIME FORMAT** : affichage de l'horloge 12/24 heures ;

**SET DATE FORMAT** : DD-MM-YYY ou MM-DD-YYY – JJ-MM-AAA ou MM-JJ-AAA ;

**AUTO UPDATE** : Mise à jour automatique de l'heure à partir du signal DAB, du signal FM ou de tout autre signal (DAB ou FM).

## ECOUTE RADIO FM

---

Lorsque l'appareil est allumé, appuyez sur la touche **MODE** jusqu'à ce que "FM" apparaisse à l'écran pour sélectionner le mode FM.

### Recherche manuelle

Choisissez votre station de radio en tournant le bouton **TUNING** ou en appuyant sur les boutons ◀/▶.

### Recherche automatique

En appuyant longuement sur les boutons ◀/▶, la radio recherche automatiquement une station précédente/suivante et s'arrête sur une station dont le signal est suffisamment fort.

### Mémorisation stations

La radio peut mémoriser jusqu'à 20 stations FM et 20 stations DAB/DAB+.

1. Appuyez sur **MODE** (de manière répétée) pour sélectionner le mode FM ou DAB/DAB+.
2. Sélectionnez une station de radio.
3. Maintenez la touche **PRESET** enfoncée pour accéder au mode de mémorisation des présélections.
4. Utilisez le bouton **TUNING** pour sélectionner un emplacement de canal.

5. Appuyez sur **ENTER** pour mémoriser la station. La station sélectionnée sera sauvegardée automatiquement après quelques secondes si aucune autre entrée n'est enregistrée. Dans les deux cas, "Stored" s'affiche.
6. Répétez les étapes 1 à 5 pour mémoriser d'autres stations.

#### Ecoute stations mémorisées

1. Appuyez sur **MODE** pour sélectionner FM ou DAB/DAB+.
2. Appuyez sur **PRESET**, puis ◀/▶ pour sélectionner la station de votre choix.
3. Appuyez sur **ENTER** pour confirmer votre choix.

### RADIO DAB/DAB+

---

1. Appuyez sur **MODE** jusqu'à ce que " DAB " s'affiche sur l'écran pour sélectionner le mode DAB.
2. L'appareil lance automatiquement une recherche de stations DAB/DAB+, si c'est la première fois qu'il est utilisé. L'écran affiche "Scanning".
3. Lorsque le balayage est terminé, l'appareil sélectionne la première station disponible et commence la lecture automatiquement. Par défaut, les stations sont classées par ordre numérique, puis alphabétique.

Remarque : Lorsque la liste des stations de radio DAB/DAB+ est mémorisée, elle ne sera pas recherchée à nouveau automatiquement.

Appuyez sur **SCAN** pour rechercher et lister les stations.

4. Tournez le bouton **TUNING** pour sélectionner une station.
5. Lorsque la station souhaitée est choisie, appuyez sur **ENTER** pour confirmer. Un court délai est nécessaire le temps que le radio se règle sur la station sélectionnée.

Remarque :

- Si aucune émission n'est trouvée par le balayage DAB/DAB+, "Aucune station DAB" apparaît sur l'écran.
- Pour une meilleure réception, déployez l'antenne télescopique.
- Pendant la recherche, le son est automatiquement coupé.

### REGLAGES ALARME/VEILLE

---

#### Réglage alarme

1. Appuyez sur **MENU/INFO** en mode DAB ou FM.
2. Tournez le bouton **TUNING** pour sélectionner <System>. Appuyez sur **ENTER** pour accéder à cette option. Tournez le bouton **TUNING** pour sélectionner <Alarm>, appuyez sur **ENTER** pour accéder à cette option. Ou, appuyez sur le bouton **ALARM** en mode STANDBY.
3. Tournez le bouton **TUNING** pour faire défiler <Alarm 1 Setup> et <Alarm 2 Setup>.
4. Appuyez sur la touche **ENTER** pour sélectionner le <réglage de l'alarme 1>.
5. Les chiffres des heures clignoteront. Utilisez le bouton **TUNING** pour régler l'heure. Appuyez sur la touche **ENTER** pour confirmer.

Maintenant, les chiffres des minutes clignotent. Utilisez le bouton **TUNING** pour régler les minutes. Appuyez sur la touche **ENTER** pour confirmer.

6. Tournez le bouton **TUNING** pour régler la durée de l'alarme (15-30-45-60-90), appuyez sur la touche **ENTER** pour confirmer. Lorsque la durée de l'alarme est atteinte, l'alarme s'arrête.
7. Tournez le bouton **TUNING** pour sélectionner Buzzer, DAB ou FM pour le réveil. Appuyez sur **ENTER** pour confirmer.
8. Tournez le bouton **TUNING** pour spécifier l'une des options de fréquence d'alarme suivantes : "Quotidien", "Une fois", "Week-ends" et "Jours de la semaine". Appuyez sur **ENTER** pour confirmer. Réglez ensuite le niveau du volume.
9. L'état de l'alarme s'affiche. Tournez le bouton **TUNING** pour régler l'alarme, appuyez sur **ENTER** pour confirmer. L'écran affiche "Alarme enregistrée".

#### Arrêt de l'alarme

1. Répétition de l'alarme  
Appuyez sur **SCAN**. L'alarme s'arrête et se déclenche à nouveau 9 minutes plus tard (snooze).
2. Arrêt de l'alarme  
Appuyez sur **STANDBY/ON** pour arrêter l'alarme.
3. Annulation de l'alarme  
Reportez-vous reporter aux étapes 1 à 9 de la section "Réglage de l'alarme".

#### Fonction Veille

1. Appuyez sur **MENU/INFO**. Tournez le bouton **TUNING** pour sélectionner "système" et appuyez sur **ENTER** pour confirmer cette option.
2. Tournez le bouton **TUNING** pour sélectionner "sleep". Appuyez sur **ENTER** pour confirmer cette option.
3. Tournez le bouton **TUNING** pour régler la minuterie de veille (off-15-30-45-60-90 minutes).
4. Appuyez sur **ENTER** pour confirmer.

### ECOUTE CD/MP3

---

1. Lorsque l'appareil est allumé, appuyez sur la touche **CD/USB** ou sur la touche **MODE** jusqu'à ce que "CD" s'affiche sur l'écran pour sélectionner le mode CD.
2. Appuyez sur la touche **OPEN/CLOSE** pour ouvrir le tiroir, l'écran affiche "OPEN". Insérez un disque avec l'étiquette vers le haut. Appuyez à nouveau sur la touche **OPEN/CLOSE** pour fermer le tiroir.
3. L'affichage indique "CD--READING" pendant quelques secondes, puis la lecture commence automatiquement.
4. Sélectionnez la piste souhaitée à l'aide du bouton **PREV/NEXT**.
5. Appuyez sur **PLAY** pour suspendre momentanément la lecture. Appuyez à nouveau sur **PLAY** pour reprendre la lecture.
6. Appuyez sur **STOP** pour arrêter la lecture.

## Répétition de la lecture

Appuyez sur **REPEAT** pour sélectionner l'un des modes de lecture suivants : Répétition unique, répétition de l'album ou répétition de tout.

## Lecture aléatoire

Appuyez sur **RANDOM** pour lire de façon aléatoire, appuyez à nouveau sur **RANDOM** pour annuler.

## ENREGISTREMENT CD/MP3

---

### Enregistrement

1. Insérez la clé USB/le câble dans le port USB (assurez-vous que la clé USB est formatée en fat32).
2. Suivez les mêmes procédures que pour la section "Écoute du disque CD/MP3". Appuyez sur **USB/REC** ("REC ONE" s'affiche).
3. Appuyez sur les boutons **PREV/NEXT** pour sélectionner ONE (enregistrement d'une seule chanson), FOLDER (disque mp3 uniquement), ou ALL (enregistrement de tout le CD) à enregistrer.

### Enregistrement d'un seul morceau :

Sélectionnez ONE, l'icône "ONE" apparaît sur l'écran. Appuyez sur la touche **USB/REC** pour confirmer l'enregistrement du morceau en cours. L'écran affiche "Please wait..." pendant quelques secondes, puis "REC" clignote à l'écran.

Appuyez sur la touche STOP pour arrêter l'enregistrement ou attendez que l'appareil s'arrête automatiquement lorsque le morceau est terminé. L'écran affiche "End recording - Fin de l'enregistrement".

### Enregistrement dans un dossier (MP3) :

Sélectionnez FOLDER, l'icône "FOLD" apparaît sur l'écran. Appuyez sur la touche **USB/REC** pour confirmer l'enregistrement du dossier. L'écran affiche "Please wait..." pendant quelques secondes, puis "REC" clignote sur l'écran.

Appuyez sur la touche STOP pour arrêter l'enregistrement ou attendez que l'appareil s'arrête automatiquement lorsque le dossier est terminé. L'écran affiche "End recording - Fin de l'enregistrement".

### Enregistrement de CD entier :

Sélectionnez ALL, l'icône "ALL" apparaît sur l'écran. Appuyez sur la touche **USB/REC** pour confirmer l'enregistrement du CD. L'écran affiche "Please wait..." pendant quelques secondes, puis "REC" clignote à l'écran.

Appuyez sur la touche stop pour arrêter l'enregistrement ou attendez que l'appareil s'arrête automatiquement lorsque le CD est terminé. L'écran affiche "End recording - Fin de l'enregistrement".

4. Pour écouter l'enregistrement, appuyez à plusieurs reprises sur **CD/USB** ou **MODE** pour sélectionner le mode USB. USB s'affiche. Appuyez sur les touches **PREV/NEXT** pour sélectionner l'enregistrement souhaité.

## ECOUTE PHONO

---

1. Lorsque l'appareil est allumé, appuyez sur **MODE** jusqu'à ce que PHONO apparaisse à l'écran pour sélectionner le mode phono.
2. Retirez le couvercle de la cellule et libérez le support du bras de lecture.
3. Placez un disque sur le plateau de la platine et sélectionnez la vitesse souhaitée (33/45/78) en fonction du disque.  
REMARQUE : Si vous lisez des disques 45 tours, placez l'adaptateur 45 tours sur l'axe central.
4. Poussez le levier de levage vers le haut pour relever le bras de lecture et déplacez doucement le bras de lecture à la position souhaitée sur le disque. Abaissez le levier, déplacez lentement le bras de lecture sur le disque pour commencer la lecture.
5. Réglez le contrôle du volume au niveau souhaité.
6. Si l'interrupteur AUTO STOP ON/OFF est sur ON, le disque s'arrête automatiquement à la fin de la lecture. Si l'interrupteur d'arrêt automatique est sur OFF, l'enregistrement ne s'arrêtera PAS automatiquement à la fin de la lecture.

Remarque : Certains types de disques peuvent avoir une zone d'arrêt automatique en dehors de la limite prédéfinie, de sorte que la platine peut s'arrêter avant que la dernière piste ne se termine, ou avant que le disque ne soit terminé. Si cela se produit, mettez l'interrupteur d'arrêt automatique sur la position "OFF".

## ENREGISTREMENT PHONO

---

1. Insérez la clé USB/le câble dans le port USB (assurez-vous que la clé USB est formatée en fat32).
2. Suivez les mêmes procédures que pour la section "Écoute PHONO". Appuyez sur la touche **USB/REC** (l'icône "REC" s'affiche). L'écran affiche "Please wait..." pendant quelques secondes, puis "REC" clignote. L'appareil commence à enregistrer.
3. Appuyez sur **STOP** pour arrêter l'enregistrement, "End recording" s'affiche.
4. Pour écouter l'enregistrement, appuyez à plusieurs reprises sur la touche **CD/USB** ou **MODE** pour sélectionner le mode USB. Le témoin USB s'affiche. Appuyez sur les touches **PREV/NEXT** pour sélectionner le dernier fichier sur le lecteur USB à lire.

## AUX IN

---

1. Reliez votre source auxiliaire (par exemple lecteur MP3) à la prise AUX IN (jack 3,5) située en façade (cordon non livré).
2. Appuyez sur **MODE** jusqu'à ce que "AUX" s'affiche sur l'écran pour sélectionner le mode AUX.
3. Lancez la lecture sur votre source auxiliaire.
4. Réglez le volume au niveau souhaité.

## ENREGISTREMENT AUX IN

---

1. Insérez la clé USB/le câble dans le port USB (assurez-vous que la clé USB est formatée en fat32).
2. Suivez les mêmes procédures que pour la section "AUX IN - Entrée auxiliaire". Appuyez sur la touche **USB/REC** (l'icône "REC" s'affiche). L'écran affiche "Please wait..." pendant quelques secondes, puis "REC" clignote. L'appareil commence à enregistrer.
3. Appuyez sur **STOP** pour arrêter l'enregistrement, "End recording" s'affiche.
4. Pour écouter l'enregistrement, appuyez à plusieurs reprises sur la touche **CD/USB** ou **MODE** pour sélectionner le mode USB. Le témoin USB s'affiche. Appuyez sur les touches **PREV/NEXT** pour sélectionner le dernier fichier sur le lecteur USB à lire.

## LECTURE DEPUIS SUPPORT USB

---

1. Connectez un périphérique USB contenant des fichiers MP3 ou un lecteur MP3 au port USB (assurez-vous que le périphérique USB est formaté en fat32).
2. Appuyez sur **CD/USB** ou **MODE** jusqu'à ce que USB s'affiche sur l'écran pour sélectionner le mode USB.
3. Réglez le volume au niveau souhaité.
4. Sélectionnez la piste souhaitée avec la touche **PREV/NEXT**.
5. Appuyez sur **PLAY** pour lire/passer sur pause.
6. Appuyez sur **STOP** pour arrêter la lecture.

### Lecture répétée :

Appuyez sur **REPEAT** pour sélectionner l'un des modes de lecture suivants : répétition unique, répétition de l'album ou répétition de tout.

### Lecture aléatoire

Appuyez sur **RANDOM** pour lire de façon aléatoire, appuyez à nouveau sur **RANDOM** pour annuler.

### Retrait de la clé USB

Arrêtez la lecture et éteignez l'appareil. Retirez ensuite le périphérique USB pour éviter d'endommager la clé USB et la platine disque.

## LECTURE VIA BT

---

1. Appuyez sur **MODE** pour accéder au mode BT. (BT s'affiche).
2. Sélectionnez "**Fenton recordplayer**" sur votre appareil BT et appairez. Un son est émis pour confirmer que l'appairage est établi.



Attention : La distance BT est de 10 mètres environ sans obstacle.

## ENREGISTREMENT BT

---

1. Insérez la clé USB/le câble dans le port USB (assurez-vous que la clé USB est formatée en fat32).
2. Suivez les mêmes procédures que dans la section "Lecture via BT". Appuyez sur la touche **USB/REC** ("REC" s'affiche). L'écran affiche "Please wait..." pendant quelques secondes, puis "REC" clignote sur l'écran. L'appareil commence à enregistrer.
3. Appuyez sur **STOP** pour arrêter l'enregistrement, "End recording – Fin enregistrement" s'affiche.
4. Pour écouter l'enregistrement, appuyez à plusieurs reprises sur la touche **CD/USB** ou **MODE** pour sélectionner le mode USB. Le témoin USB s'affiche. Appuyez sur les touches **PREV/NEXT** pour sélectionner le dernier fichier sur le lecteur USB à lire.

## TECHNICAL SPECIFICATION / TECHNISCHE SPECIFICATIE / TECHNISCHE DATEN / ESPECIFICACIONES TÉCNICAS / SPÉCIFICATIONS TECHNIQUES

---

Playback options	: BT streaming, CD, DAB+ tuner, FM radio, USB
Input connections	: 3.5mm Jack, USB
Output connections	: 3.5mm Jack, RCA
Speed settings (RPM)	: 33, 45, 78
Power supply	: 100-240VAC 50/60Hz (12V Adapter)
Dimensions (L x W x H)	: 320 x 455 x 230mm
Weight (kg)	: 6,30

The specifications are typical. The actual values can slightly change from one unit to the other. Specifications can be changed without prior notice.

The products referred to in this manual conform to the European Community Directives to which they are subject:

### European Union

Tronios B.V.,  
Bedrijvenpark Twente Noord 18,  
7602KR Almelo, The Netherlands

2014/35/EU  
2014/30/EU  
2011/65/EC  
2014/53/EU



### United Kingdom

Tronios Ltd.,  
130 Harley Street,  
London W1G 7JU, United Kingdom

S.I. 2016:1101  
S.I. 2016:1091  
S.I. 2012:3032  
S.I. 2017:1206



Specifications and design are subject to change without prior notice.

**[www.tronios.com](http://www.tronios.com)**

Copyright © 2022 by Tronios The Netherlands