



BEAMZ
MADE
EAZY

150.780, 150.782, 152.784 V1.4

WBP SERIES PAR
USER MANUAL

INDEX

ENGLISH

SAFETY INSTRUCTIONS.....	3
UNPACKING INSTRUCTION.....	4
POWERSUPPLY.....	4
RIGGING.....	4
DMX512 CONTROL.....	5
REMOTE CONTROLLER.....	5
TIMER FUNCTION.....	6
WIRELESS DMX.....	7
PROTECTION CLASS IP65.....	7
MAINTENANCE.....	7
TROUBLE SHOOTING.....	8

NEDERLANDS

VEILIGHEIDSIINSTRUCTIES.....	9
UITPAKKEN.....	10
AANSLUITSPANNING.....	10
RIGGING.....	10
DMX BEDIENING.....	11
AFSTANDBEDIENING.....	11
TIMER FUNCTIE.....	12
DRAADLOOS DMX.....	13
BESCHERMINGSKLASSE IP65.....	13
ONDERHOUD.....	13
PROBLEMEN OPLOSSEN.....	14

DEUTSCH

SICHERHEITSHINWEISE.....	15
AUSPACKEN.....	16
NETZANSCHLUSS.....	16
RIGGING.....	16
DMX BEDIENUNG.....	17
FERNBEDIENUNG.....	17
TIMERFUNKTION.....	18
FUNK DMX.....	19
SCHUTZKLASSE IP65.....	19
PFLEGE.....	19
FEHLERSUCHE.....	20

ESPAÑOL

INSTRUCCIONES DE SEGURIDAD.....	21
INSTRUCCIONES DE DESEMBALAJE.....	22
FUENTE DE ALIMENTACIÓN.....	22
INSTALACIÓN.....	22
CONTROL DMX512.....	23
MANDO A DISTANCIA.....	23
FUNCIÓN TEMPORIZADOR.....	24
DMX INALÁMBRICO.....	25
PROTECCION CLASE IP65.....	25
MANTENIMIENTO.....	25
SOLUCIÓN DE PROBLEMAS.....	26

FRANÇAIS

INSTRUCTIONS DE SECURITE.....	27
INSTRUCTIONS DE DEBALLAGE.....	28
ALIMENTATION.....	28
FIXATION.....	28
GESTION DMX512.....	29
TELECOMMANDE.....	29
FONCTION TIMER.....	30
DMX SANS FIL.....	31
CLASSE DE PROTECTION IP65.....	31
ENTRETIEN.....	31
RESOLUTION DE PROBLEMES.....	32

POLSKI

INSTRUKCJA BEZPIECZENSTWA.....	33
ROZPAKOWYWANIE INSTRUKCJI.....	34
ZASILACZ.....	34
MOCOWANIE.....	34
KONTROLA DMX512.....	35
PILOT ZDALNEGO STEROWANIA.....	35
FUNKCJA TIMERA.....	36
BEZPRZEWODOWY DMX.....	37
KLASA OCHRONY IP65.....	37
KONSERWACJA.....	37
ROZWIĄZYWANIE PROBLEMÓW.....	38

TECHNICAL DETAILS

CONTROL MENU.....	39
DMX CHANNELS.....	41
TECHNICAL SPECIFICATIONS.....	42

SAFETY INSTRUCTIONS



WARNING! Before carrying out any operations with the unit, carefully read this instruction manual and keep it with care for future reference. It contains important information about the installation, usage and maintenance of the unit.

- Unpack and check carefully that there is no transportation damage before using the unit
- Please read these instructions carefully and follow the instructions.
- Observe all safety warnings. Never remove safety warnings or other information from the equipment.
- Be sure that no ventilation slots are blocked; otherwise the unit will overheat.



WARNING! Before connecting the equipment to the power outlet, first verify that the mains voltage and frequency match the values specified on the equipment. If the equipment has a voltage selection switch, connect the equipment to the power outlet only if the equipment values and the mains power values match. If the included power cord or power adapter does not fit in your wall outlet, contact your electrician.

- After connecting the unit, check all cables in order to prevent damage or accidents, e.g., due to tripping hazards.
- Make sure that the power cord is never crimped or damaged. Check the unit and the power cord from time to time.
- Always disconnect power from the mains, when unit is not used or before cleaning! Only handle the power cord by the plug. Never pull out the plug by tugging the power cord.
- Unplug the power cord and power adapter from the power outlet if there is a risk of a lightning strike or before extended periods of disuse.
- Do not switch the unit on and off in short intervals.
- Do not connect the unit to a dimmerpack.
- Install the unit in a well ventilated place.
- Never place any material over the lens.
- Never let the sunlight lights directly to the front lens, even when the unit is not working.
- Always allow free air space of at least 50 cm around the unit for ventilation.
- Make sure that the area below the installation place is blocked when rigging, derigging or servicing the unit.
- For mounting height >100 cm, always fix the unit with an appropriate safety-rope. Fix the safety-rope at the correct fixation points only. The safety-rope must never be fixed at the transport handles!
- Never look directly at the light beam. Please note that fast changes in lighting, e.g. flashing light, may trigger epileptic seizures in photosensitive persons or persons with epilepsy.
- This unit is not designed for permanent operation. Consistent operation breaks will ensure that the unit will serve you for a long time without defects.



WARNING! If the power cord of the unit is equipped with an earthing contact, then it must be connected to an outlet with a protective ground. Never deactivate the protective ground of a power cord.

- Make sure that the unit is not exposed to extreme heat, moisture or dust.
- Clean the unit using a dry cloth.
- Do not touch the unit bare-handed during its operation (housing becomes very hot). Allow the unit to cool for at least 5 minutes before handling.
- This unit is designed exclusively for indoor use, do not use this equipment in the immediate vicinity of fluid (does not apply to special outdoor equipment - in this case, observe the special instructions noted below). Do not expose this unit to flammable materials, fluids or gases.
- If the unit has been exposed to drastic temperature fluctuation (e.g. after transportation), do not switch it on immediately. The arising condensation water might damage your unit. Leave the unit switched off until it has reached room temperature.
- Never attempt to bypass the thermostatic switch or fuses.
- Do not dismantle or modify the unit.
- For replacement use fuses/bulb of same type and rating only.
- Repairs, servicing and electric connection must be carried out by a qualified technician.
- The ambient temperature must always be between 0°C and +40°C.
- If this unit is operated in any other way, than the one described in this manual, the product may suffer damages and the warranty becomes void.
- Plastic bags must be kept out of reach of children.
- Unit must be installed out of the reach of children. Never leave the unit running unattended.



This symbol on the product or on its packaging indicates that this product shall not be treated as household waste. Instead it shall be handed over to the applicable collection point for the recycling of electrical and electronic equipment.

By ensuring this product is disposed of correctly, you will help prevent potential negative consequences for the environment and human health, which could otherwise be caused by inappropriate waste handling of this product. The recycling of materials will help to conserve natural resources. For more detailed information about recycling of this product, please contact your local Civic Office, your household waste disposal service or the shop where you purchased the product.

UNPACKING INSTRUCTION

CAUTION! Immediately upon receiving the product, carefully unpack the carton, check the contents to ensure that all parts are present, and have been received in good condition. Notify the shipper immediately and retain packing material for inspection if any parts appear damage from shipping or the package itself shows signs of mishandling. Save the package and all packing materials. In the event that the product must be returned to the factory, it is important that the product be returned in the original factory box and packing.

If the unit has been exposed to drastic temperature fluctuation (e.g. after transportation), do not switch it on immediately. The arising condensation water might damage your unit. Leave the unit switched off until it has reached room temperature.

POWERSUPPLY

On the label on the backside of the unit is indicated on this type of power supply must be connected. Check that the mains voltage corresponds to this, all other voltages than specified, the light effect can be irreparably damaged. The product must also be directly connected to the mains and may be used. No dimmer or adjustable power supply.

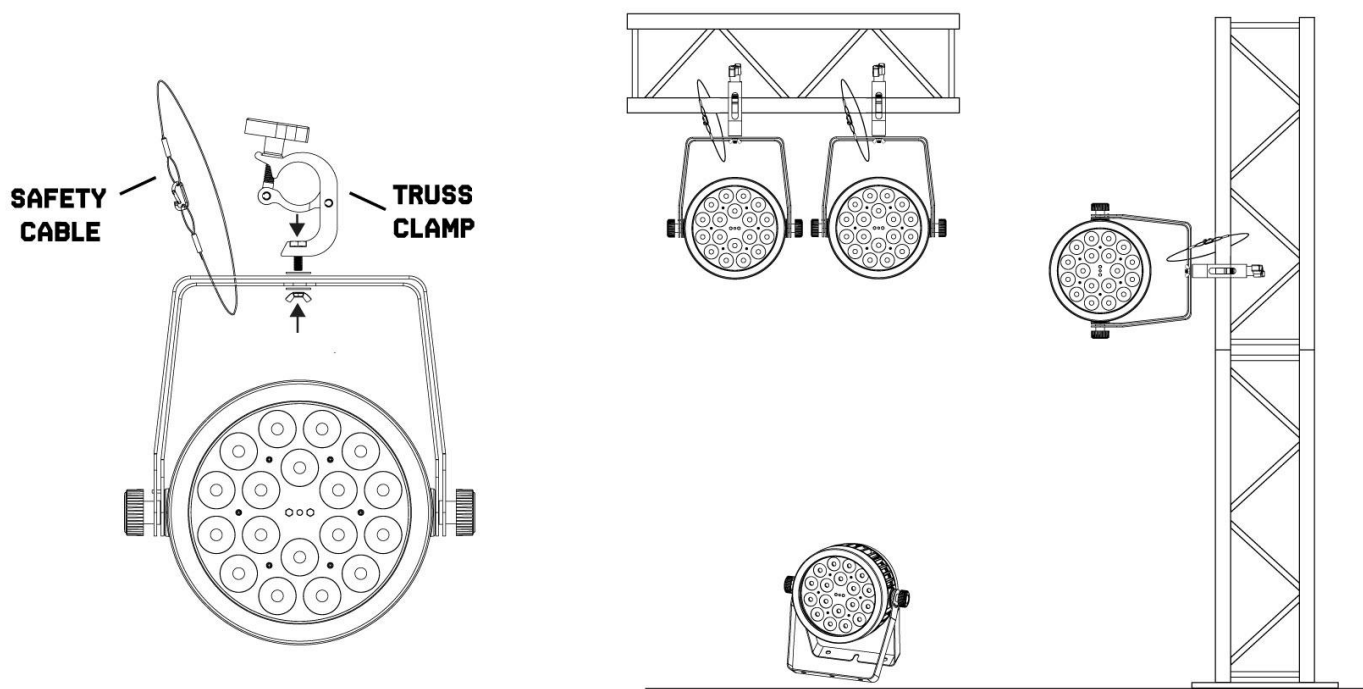
The unit has a powerconnector output on board. Depending on the local conditions several units can be linked by powerconnector in- and output. Connect a maximum of four (when using 230V/16A) units in a row. Use an approved three-core cable with a cross-section of at least 1.5 mm². The installation instructions of the manufacturer and the colour coding of the cable must be observed. Do not turn off the unit by turning the powerconnector but use the power on/off switch or schuko!

WARNING! Always connect the unit to a protected circuit (circuit breaker or fuse). Make sure the unit has an appropriate electrical ground to avoid the risk of electrocution or fire.

RIGGING

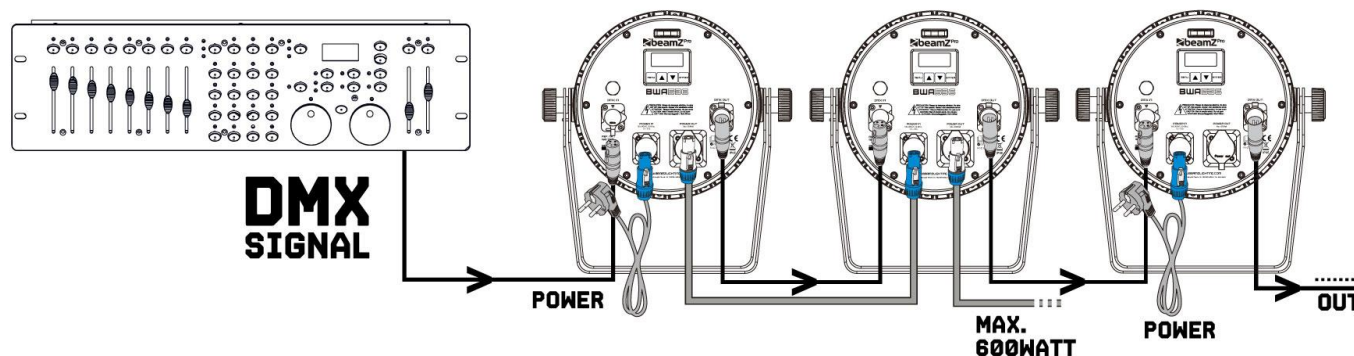
The unit may be set up on a stable and even surface. By means of the fixing facilities of the baseplate, the unit can also be mounted upside down to a truss, see below picture. For fixing, certified clamps with correct safe working load are required. According to the figure, the quick lock bolts of the omega brackets are placed into the openings provided in the base plate and turned clockwise until they lock (to the stop). The mounting place must be of sufficient stability and be able to support a weight of 10 times of the unit's weight. Secure the unit with a safety cable so that it cannot fall down.

When carrying out any installation, always comply European and national guidelines concerning rigging, truss and all other safety issues. Always let the installation checked out by an authorized dealer!

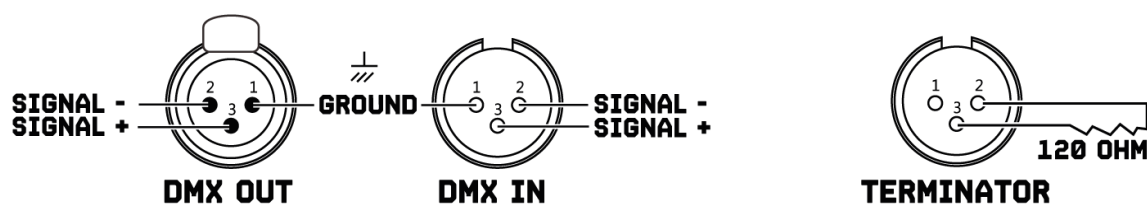


DMX512 CONTROL

If you are using a standard DMX controller, you can connect the DMX output of the controller directly to the DMX input of the first unit in a DMX chain. Always connect the output of one unit with the input of the next unit until all units are connected.



CAUTION! At the last unit, you must close the DMX line with a terminating resistor. Take an XLR connector and solder a 120 Ohm resistor between signal (-) and signal (+) and connect it to the DMX output of the last unit in the line.



POWER SWITCH

TURN ON OR OFF

Press the **POWER ON/OFF** button shortly to switch on the fixture. Switching off can be done by pressing and holding **POWER ON/OFF** for a longer time. As soon as the green LED starts blinking release the **POWER ON/OFF** button.

DMX UNIVERSE

As soon as the fixture has started up, you can switch between the DMX universe by shortly pressing **POWER ON/OFF**.

FACTORY SETTINGS

To restore factory settings, press the **POWER ON/OFF** button for 30 seconds.

REMOTE CONTROLLER

BLACK OUT

Press **<Blackout>** to clear the remote control settings and turn off lights

AUTO

1. Press **<AUTO>** to turn on the color jumping effect.
2. Press **<Blackout>** to turn off the color jumping effect.

SOUND

1. Press **<SOUND>** to turn on Sound-Active mode
2. Press **<Blackout>** to turn off Sound-Active mode

SENSITIVITY

1. Press **< SENSITIVITY >** on the remote controller.
2. Press **<+>** or **<- >** to adjust sound sensitivity.

SPEED

Adjust the speed of color jump/fade/pluse effects

1. Press **<SPEED>** on the remote controller.
2. Press **<+>** or **<- >** to adjust color effects speed

STROBE

1. Press **<STROBE >** on the remote controller.
2. Press **<+>** or **<- >** to either increase or decrease the speed of the program .
3. Press **<STROBE>** to turn off the strobe.

%

1. Press **<%>** to turn on the color pluse effect.
2. Press **<Blackout>** to turn off the color pluse effect

FADE

1. Press **<FADE>** to turn on the color fading effect.
2. Press **<Blackout>** to turn off the color fading effect.

MANUAL

Press **<MANUAL>** active preset colors , It has two mode :

Mode A :

Press the **<MANUAL>** button at first , then Press **<R>**, **<G>**, ****, **<W>**,**<A>** or **<UV>** (red, green, blue, white, amber, UV) to choose your wanted colour;
Press the 1st time , it is 20% brightness ;
Press the 2nd time , it is 40% brightness ;
Press the 3rd time , it is 60% brightness ;
Press the 4th time , it is 80% brightness ;
Press the 5th time , it is 100% brightness

Mode B:

Press the **<MANUAL>** button again , then Press **<R>**, **<G>**, ****, **<W>**,**<A>** or **<UV>** (red, green, blue, white, amber, UV) to choose your wanted colour;
Press **<+>** or **<->** to either increase or decrease the brightness .

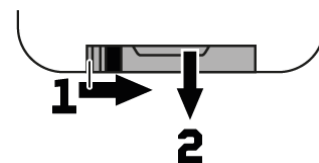
NUMBER 0-9

1. Press digit **<0>** to **<9>** to select preset color mode
2. Press **<+>** or **<->** to either increase or decrease the brightness .
3. Press **<Blackout>** to turn off the selected preset color.



CAUTION The remote control is supplied with a battery inserted. An insulating foil between the battery and the battery contacts prevents the battery from being discharged during storage. Prior to the first operation remove the foil from the battery support on the rear side of the remote control. Otherwise operation of the remote control is not possible.

If the range of the remote control decreases, replace the battery. For this purpose, on the rear side of the remote control press the small bar with the groove to the right (1) and at the same time remove the battery support (2). For operation, one 3 V button cell type CR 2025 is required. When inserting, pay attention that the positive pole of the button cell shows upwards in the support.



TIMER FUNCTION

The fixture has a built-in timer function. The fixture can show the pre-programmed preset, colour or chase at certain times and dates.

STEP 1 Adjust the battery turn of level on between 5-10%

- Press **MENU**
- Select **SETTINGS**, press enter.
- Select **GENERAL**, press enter.
- Select **POWER OFF BATT**, press enter.
- Select percentage between 5 and 10% with the up and down buttons.
- Press **ENTER** to confirm.

STEP 2 Set the current date and time

- Press **MENU**
- Select **SETTINGS**, press enter.
- Select **DATE/TIME**, press enter.
- Select **DATE**, press enter.
- Select the year with Up/Down buttons, press enter to select the month with Up/Down buttons, press enter to select the day with Up/Down buttons.
- Press **ENTER** to confirm.
- Select **TIME**, press enter.
- Select the hours with Up/Down buttons, press enter to select the minutes with Up/Down buttons, press enter to select the seconds with Up/Down buttons.
- Press **ENTER** to confirm.

STEP 3 Set automatic turn On time

- Press **MENU**
- Select **SETTINGS**, press enter.
- Select **DATE/TIME**, press enter.
- Select **POWER ON**, press enter.
- Select the hours with Up/Down buttons, press enter to select the minutes with Up/Down buttons, press enter to select the seconds with Up/Down buttons.
- Press **ENTER** to confirm.

STEP 4 Set automatic turn Off time

- Press **MENU**
- Select **SETTINGS**, press enter.
- Select **DATE/TIME**, press enter.
- Select **POWER OFF**, press enter.
- Select the hours with Up/Down buttons, press enter to select the Minutes with Up/Down buttons, press enter to select the seconds with Up/Down buttons.
- Press **ENTER** to confirm.

STEP 5 Select the preset, colour or chase program.

- Press **MENU**
- Select **SETTINGS**, press enter.
- Select **GENERAL**, press enter.
- Select **POWER UP**, press enter.
- Select one of the preset, colour or chase program which you want as soon as the fixture starts up.
- Press **ENTER** to confirm.

WIRELESS DMX

This fixture has a wireless DMX transmission on board which operates on 2.4Ghz frequency band. The fixture acts as a receiver and needs a transmitter (item 154.077 BPP Wireless DMX Transmitter).

DMX UNIVERSE	COLOUR	DMX CHANNELS
1	Red	1 - 512
2	Green	1 - 512
3	Yellow	1 - 512
4	Blue	1 - 512
5	Magenta	1 - 512
6	Cyan	1 - 512
7	White	1 - 512

PROTECTION CLASS IP65

Units with protection class IP65 are dust-tight and completely protected against contact (first code number). They are also protected against splash water from any angle (second code digit). That is why this unit can also be used out- doors. Events units are generally only designed for temporary use however (event lighting) and not for permanent use outdoors. The specified protection class does not make a statement about the weather resistance of the units (resistance to changing ambient conditions as well as against the effects of sunlight and UV rays). The seals and screw connections of the units must be checked regularly to ensure a fault-free operation.

MAINTENACE

This unit is virtually maintenance-free, but you should check the unit regularly for mechanical and electrical aspects.

Assess the operating environment and establish an inspection and cleaning schedule that follows the guidelines below:

- Disconnect the unit from the power supply and allow it to cool completely before inspecting and cleaning.
- Check that the screws and bolts used to install the unit are securely tightened and free from corrosion.
- Check the housing, fixing points and installation points, they must not show any signs of deformation, wear or fatigue.
- Check the mechanically moving parts, these must not show any signs of wear or fatigue.
- Check the electrical power and signal cables, they must not show any damage or fatigue.
- Do not use solvents, abrasives or other aggressive products to clean the unit.
- Wipe the unit and clean the glass plate with a soft, clean, lint-free cloth moistened with a weak cleaning solution. Place the solution on the cloth and not on the surface to be cleaned. Avoid rubbing glass surfaces.
- Dry the unit, connectors and contacts with a soft, clean, lint-free cloth or low-pressure compressed air before re-powering the unit.

TROUBLE SHOOTING

The checklist below may help you troubleshoot in the unlikely event that a problem occurs while using the product:

SYMPTOM	POSSIBLE CAUSE	SUGGESTED ACTION
No response from unit.	No power to unit. Fuse blown or internal fault.	Check that power is turned on. Check cables and connections. Replace main fuse or contact Beamz support or Beamz authorized service partner. Do not remove base or yoke covers. Do not attempt to replace a fuse or carry out any repairs or service that are not described in this User Manual unless you have both authorization from Beamz support or Beamz authorized service partner.
Unit resets correctly but does not respond (or does not respond correctly) to the controller.	The controller is not connected. Bad DMX-line. DMX-line has no end resistance. Incorrect unit addressing. A unit is defective and is disturbing data transmission on the DMX-line. Pin 2 and 3 are reversed in XLR connection.	Connect controller. Inspect connections and cables. Correct poor connections. Repair or replace damaged cables. Insert DMX terminator plug in DMX output socket of last unit on DMX-line. Check unit address and DMX mode settings. Unplug DMX IN and OUT connectors and connect them directly together to bypass one unit at a time until normal operation is regained. Have defective unit serviced by an authorized technician. Inspect connections and cables. Install a phase-reversing cable between the units or swap pin 2 and 3 in the unit, that behaves erratically.
Error after unit reset.	Effect requires mechanical adjustment.	Check unit's software version and error messages for more information. Contact Beamz support or Beamz authorized service partner.
Light output cuts out intermittently.	Unit too hot. LEDs damaged. The power supply settings do not match local AC voltage and frequency.	Allow unit to cool. Reduce ambient temperature. Ensure free airflow around unit. Clean unit if necessary. Disconnect unit and contact Beamz support or Beamz authorized service partner. Disconnect unit. Check settings and correct if necessary.

VEILIGHEIDSINSTRUCTIES



WAARSCHUWING! Lees deze gebruiksaanwijzing zorgvuldig door voordat u met het apparaat gaat werken en bewaar deze handleiding voor toekomstig gebruik. Het bevat belangrijke informatie over de installatie, het gebruik en het onderhoud van het apparaat.

- Uitpakken en zorgvuldig controleren of er geen transportschade is voordat u het apparaat gebruikt.
- Lees deze instructies aandachtig door en volg de instructies op.
- Neem alle veiligheidswaarschuwingen in acht. Verwijder nooit veiligheidswaarschuwingen of andere informatie van het apparaat.
- Zorg ervoor dat er geen ventilatiesleuven geblokkeerd zijn, anders zal het apparaat oververhit raken.



WAARSCHUWING! Voordat u het apparaat verbind met een contactdoos, moet u eerst controleren of de netspanning en -frequentie overeenkomen met de op de apparatuur aangegeven waarden. Als het apparaat een spanningsselectieschakelaar heeft, sluit het apparaat alleen aan op het stopcontact als de waarden van het apparaat en de waarden van de netspanning overeenkomen. Als het bijgeleverde netsnoer of de voedingsadapter niet in uw stopcontact past, neem dan contact op met uw elektricien.

- Controleer na het aansluiten van het apparaat alle kabels om schade of ongevallen, bijv. door struikelgevaar, te voorkomen.
- Zorg ervoor dat het netsnoer nooit gekrompen of beschadigd raakt. Controleer het apparaat en het netsnoer van tijd tot tijd.
- Trek altijd de stekker uit het stopcontact wanneer het apparaat niet wordt gebruikt of voordat u het apparaat schoonmaakt! Pak het netsnoer alleen bij de stekker vast en trek nooit aan het netsnoer.
- Haal de stekker van het netsnoer en de voedingsadapter uit het stopcontact als er gevaar bestaat voor blikseminslag of voor langere perioden van buitengebruikstelling.
- Schakel het apparaat niet snel achter elkaar in en uit.
- Sluit het apparaat niet aan op een dimmerpack.
- Installeer het apparaat op een goed geventileerde plaats.
- Plaats nooit materiaal over de lens.
- Laat het zonlicht nooit direct op de lens schijnen, ook niet als het apparaat niet in werking is.
- Zorg altijd voor een vrije luchtruimte van minstens 50 cm rondom het apparaat voor ventilatie.
- Zorg ervoor dat de ruimte rondom en onder de montageplek wordt afgezet tijdens het (de)monteren of onderhoud van het apparaat.
- Voor gebruik bij montagehoogte >100 cm, bevestig het apparaat altijd met een geschikte veiligheidskabel. Bevestig de veiligheidskabel alleen op de juiste bevestigingspunten. De veiligheidskabel mag nooit aan de transporthandgrepen worden bevestigd!
- Kijk nooit direct naar de lichtbundel. Houd er rekening mee dat snelle veranderingen in de verlichting, bijv. knipperlicht, epileptische aanvallen kunnen veroorzaken bij lichtgevoelige personen of personen met epilepsie.
- Dit apparaat is niet ontworpen voor permanent gebruik. Consistente bedieningspauzes zullen ervoor zorgen dat het apparaat lang zonder defecten van dienst zal zijn.



WAARSCHUWING! Als het netsnoer van het apparaat is voorzien van een aardingscontact, moet het worden aangesloten op een stopcontact met een beschermende aarding. Deactiveer nooit de beschermende aarding van een netsnoer.

- Zorg ervoor dat het apparaat niet wordt blootgesteld aan extreme hitte, vocht of stof.
- Reinig het apparaat met een droge doek.
- Raak het apparaat tijdens de werking ervan niet met blote handen aan (de behuizing kan zeer heet worden). Laat het apparaat ten minste 5 minuten afkoelen alvorens deze te hanteren.
- Dit apparaat is uitsluitend ontworpen voor gebruik binnenshuis, gebruik deze apparatuur niet in de onmiddellijke nabijheid van vloeistof (niet van toepassing op speciale buitenapparatuur - in dit geval, neem de speciale instructies hieronder in acht). Stel dit apparaat niet bloot aan brandbare materialen, vloeistoffen of gassen.
- Als het apparaat is blootgesteld aan drastische temperatuurschommelingen (bijv. na transport), schakel het dan niet onmiddellijk in. Het ontstane condenswater kan uw apparaat beschadigen. Laat het apparaat uitgeschakeld tot het op kamertemperatuur is.
- Probeer nooit de thermostaatschakelaar of zekeringen te omzeilen.
- Demonteer of wijzig het apparaat niet.
- Gebruik voor vervanging alleen zekeringen/lampen van hetzelfde type en vermogen.
- Reparaties, onderhoud en elektrische aansluiting moeten worden uitgevoerd door een gekwalificeerde technicus.
- De omgevingstemperatuur moet altijd tussen 0°C en +40°C liggen.
- Als dit apparaat op een andere manier wordt gebruikt dan beschreven in deze handleiding, kan het product beschadigd raken en vervalt de garantie.
- Plastic zakken moeten buiten het bereik van kinderen worden gehouden.
- Het apparaat moet buiten het bereik van kinderen worden geïnstalleerd. Laat het apparaat nooit zonder toezicht draaien.



Dit symbool op het product of op de verpakking geeft aan dat dit product niet als huishoudelijk afval mag worden behandeld. In plaats daarvan moet het worden overhandigd aan het toepasselijke inzamelpunt voor de recycling van elektrische en elektronische apparatuur.

Door ervoor te zorgen dat dit product op de juiste wijze wordt afgevoerd, helpt u mogelijke negatieve gevolgen voor het milieu en de menselijke gezondheid te voorkomen, die anders zouden kunnen worden veroorzaakt door ongepaste afvalverwerking van dit product. Het recyclen van materialen draagt bij tot het behoud van natuurlijke hulpbronnen. Voor meer gedetailleerde informatie over het recyclen van dit product kunt u contact opnemen met uw plaatselijke gemeente, uw huisvuildienst of de winkel waar u het product hebt gekocht.

UITPAKKEN



LET OP! Onmiddellijk na ontvangst, zorgvuldig uitpakken van de doos, controleer de inhoud om ervoor te zorgen dat alle onderdelen aanwezig zijn en zijn in goede staat zijn ontvangen. Bij transportschade of ontbreken van onderdelen onmiddellijk de verkopende partij inlichten. Bewaar de verpakking en het verpakkingsmateriaal. Indien het product moet worden teruggestuurd, is het belangrijk dat het product in originele verpakking wordt geretourneerd.

Als het apparaat is blootgesteld aan drastische temperatuurverschillen (bv. na het transport), schakel het apparaat niet onmiddellijk in. De ontstane condensatie kan het apparaat beschadigen. Zorg ervoor dat het apparaat op kamertemperatuur komt en steek vervolgens de voeding stekker in het stopcontact.

AANSLUITSPANNING

Op achterzijde van het apparaat staat aangegeven op welke netspanning deze moet worden aangesloten. Controleer of de netspanning hiermee overeenkomt, bij alle andere netspanningen dan aangegeven kan het apparaat onherstelbaar worden beschadigd. Tevens moet het apparaat direct op de netspanning worden aangesloten en mag géén dimmer of regelbare voeding worden gebruikt.

Het apparaat heeft een powerconnector uitgang aan boord. Afhankelijk van de plaatselijke omstandigheden kunnen meerdere apparaten via de in- en uitgang met elkaar worden verbonden. Sluit maximaal vier (bij gebruik van 230V/16A) apparaten op een rij aan. Gebruik een goedgekeurde 3-aderige kabel met een doorsnede van minimaal 1,5 mm². De installatievoorschriften van de fabrikant en de kleurcodering van de kabel moeten in acht worden genomen. Schakel het apparaat niet uit door de powerconnector te draaien, maar gebruik de aan/uit-schakelaar of trek de stekker uit het stopcontact!

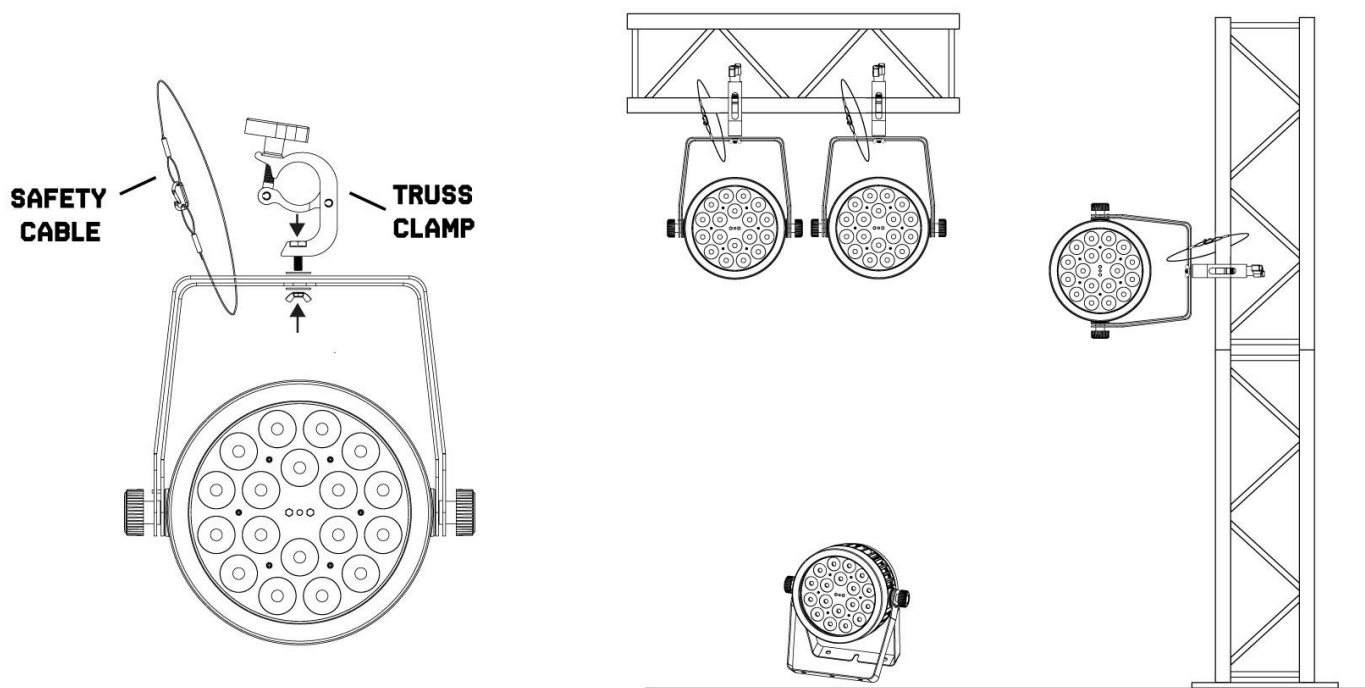


WAARSCHUWING! Sluit het apparaat altijd aan op een beschermd circuit (aardlekschakelaar of zekering). Zorg ervoor dat het apparaat voldoende elektrisch is geaard om het risico op elektrocutie of brand te vermijden.

RIGGING

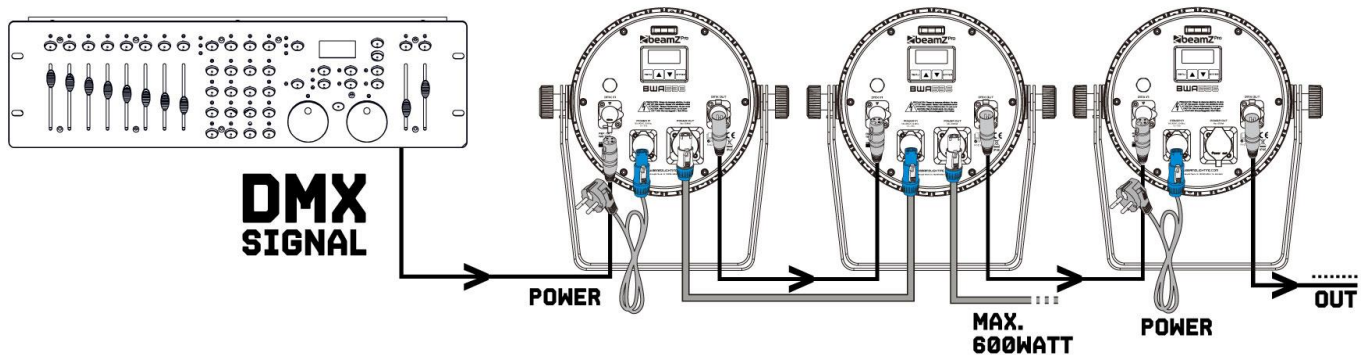
Het apparaat kan op een stabiele en gelijkmatige ondergrond worden opgesteld. Door middel van de bevestigingsmogelijkheden van de grondplaat kan het apparaat ook ondersteboven aan een truss gemonteerd worden, zie onderstaande afbeelding. Voor de bevestiging zijn gecertificeerde klemmen met de juiste werklust vereist. Volgens de afbeelding, worden de quick-lock bouten van de omega beugels in de openingen in de bodemplaat geplaatst en rechtsom gedraaid tot ze vergrendelen (tot aan de aanslag). De montageplaats moet voldoende stabiel zijn en een gewicht van 10 keer het gewicht van het apparaat kunnen dragen. Borg het apparaat met een veiligheidskabel, zodat deze niet naar beneden kan vallen.

Volg bij het uitvoeren van een installatie altijd de Europese en nationale richtlijnen met betrekking tot rigging, truss en alle andere veiligheidskwesities. Laat de installatie altijd controleren door een geautoriseerde dealer!

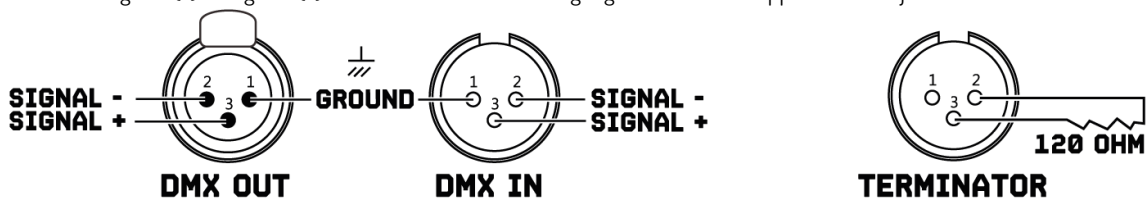


DMX BEDIENING

Als u gebruik maakt van een standaard DMX-lichtstuurtafel, kunt u de DMX uitgang van de lichtstuurtafel rechtstreeks aansluiten op de DMX ingang van het eerste apparaat. Sluit altijd de DMX uitgang aan op de eerst volgende DMX ingang van het volgende apparaat totdat alle apparaten zijn aangesloten.



LET OP! Bij het laatste apparaat, dient u de DMX-lijn af te sluiten met een eindweerstand. Neem een XLR connector en soldeer een 120 Ohm weerstand tussen signaal (-) en signaal (+) en steek deze in de DMX uitgang van het laatste apparaat in de lijn.



POWER SWITCH

AAN OF UIT ZETTEN

Druk kort op de **POWER ON/OFF** knop om de armatuur in te schakelen. Uitschakelen kan worden gedaan door de **POWER ON/OFF** knop langer ingedrukt te houden. Zodra de groene LED begint te knipperen, laat u de **POWER ON/OFF** -knop los.

DMX UNIVERSE

Zodra het armatuur is opgestart, kan er tussen DMX-universe worden schakelt door kortstondig op **POWER ON/OFF** in te drukken.

FABRIEKINSTELLINGEN

Om de fabriekinstellingen te herstellen, moet de **POWER ON/OFF** gedurende 30 seconden ingedrukt houden.

AFSTANDSBEDIENING

BLACK OUT MODE

Druk op **<Blackout>** om de instellingen van de afstandsbediening te wissen en de lichten uit te schakelen

AUTO

1. Druk op **<AUTO>** om het kleursprongeffect in te schakelen.
2. Druk op **<Blackout>** om het verspringende kleureffect uit te schakelen.

SOUND

1. Druk op **<SOUND>** om de Sound-Active modus in te schakelen.
2. Druk op **<Blackout>** om de Sound-Active modus uit te schakelen

SENSITIVITY

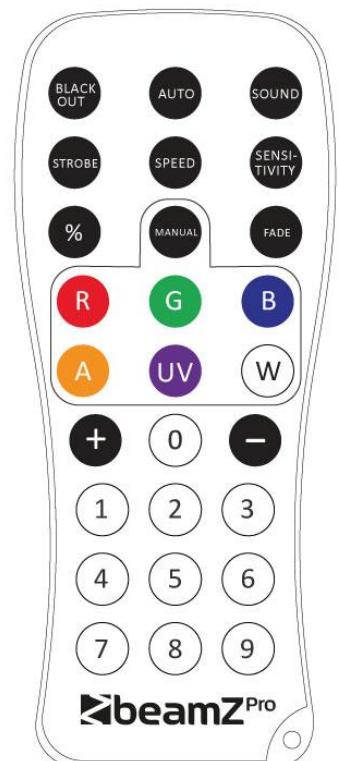
1. Druk op **<SENSITIVITY>**
> op de afstandsbediening.
2. Druk op **<+>** of **<->** om de geluidsgevoeligheid aan te passen.

SPEED

- Instellen van de snelheid van kleursprong-/fade-/pluseffecten
1. Druk op **<SPEED>** op de afstandsbediening.
 2. Druk op **<+>** of **<->** om de snelheid van kleureffecten aan te passen

STROBE

1. Druk op **<STROBE>** op de afstandsbediening.
2. Druk op **<+>** of **<->** om de snelheid van het programma te verhogen of te verlagen .
3. Druk op **<STROBE>** om de stroboscoop uit te zetten.



%

1. Druk op <>%> om het kleurpluseffect in te schakelen.
2. Druk op <Blackout> om het kleurpluseffect uit te schakelen.

FADE

1. Druk op <FADE> om het kleurvervagingseffect in te schakelen.
2. Druk op <Blackout> om het kleurvervagingseffect uit te schakelen.

MANUAL

Druk op <MANUAL> om de vooringestelde kleuren te activeren, er zijn twee standen:

MODE A :

Druk eerst op de <MANUAL> knop , druk dan op <R>, <G>, , <W>,<A> of <UV> (rood, groen, blauw, wit, amber, UV) om een kleur te kiezen.

Druk de 1e keer , het is 20% helderheid;

Druk de 2e keer , het is 40% helderheid;

Druk de 3e keer, het is 60% helderheid;

Druk de 4e keer, het is 80% helderheid;

Druk de 5de keer, het is 100% helderheid

MODE B:

Druk nogmaals op de <MANUAL> knop , druk dan op <R>, <G>, , <W>,<A> of <UV> (rood, groen, blauw, wit, amber, UV) om uw gewenste kleur te kiezen;

Druk op <+> of <-> om de helderheid te verhogen of te verlagen.

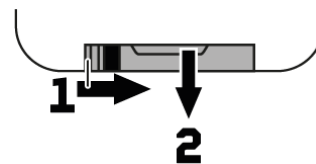
NUMBER 0~9

1. Druk op de cijfers <0> tot <9> om de vooringestelde kleurmodus te kiezen
2. Druk op <+> of <-> om de helderheid te verhogen of te verlagen .
3. Druk op <Blackout> om de geselecteerde vooringestelde kleur uit te schakelen.



LET OP! De afstandsbediening is voorzien van een batterij. Een isolerende folie tussen de batterij en de batterij contacten voorkomt dat de batterij tijdens transport ontlad. Voorafgaand aan het eerste gebruik, verwijder de folie van de batterijhouder aan de achterzijde van de afstandsbediening. Anders wordt de werking van de afstandsbediening is niet mogelijk.

Indien het bereik van de afstandsbediening afneemt, vervang dan de batterij. Aan de achterzijde van de afstandsbediening drukt de schuif met inkeping naar rechts (1) tegelijkertijd verwijdert de batterijhouder (2). Voor de werking, is een 3V knop cel type CR2025 nodig. Let op, bij de het vervangen van de batterij dat u de positieve pool van de knooppool omhoog plaatst.



TIMER FUNCTIE

Het armatuur heeft een in de softwarematig ingebouwde timerfunctie. Het armatuur kan op bepaalde tijden en data de voorgeprogrammeerde preset, kleur of chase tonen.

STAP 1 Stel de batterij in op een niveaoverschil tussen 5-10%.

- Druk op **MENU**
- Selecteer **SETTINGS** en druk op enter.
- Selecteer **GENERAL**, druk op enter.
- Selecteer **POWER OFF BATT**, druk op enter.
- Selecteer een percentage tussen 5 en 10% met de knoppen omhoog en omlaag.
- Druk op **ENTER** om te bevestigen.

STAP 2 Stel de huidige datum en tijd in.

- Druk op **MENU**
- Selecteer **SETTINGS** en druk op enter.
- Selecteer **DATE/TIME**, druk op enter.
- Selecteer **DATE**, druk op enter.
- Selecteer het jaar met de knoppen omhoog/omlaag, druk op enter om de maanden met de knoppen omhoog/omlaag te selecteren, druk op enter om de dagen met de knoppen omhoog/omlaag te selecteren.
- Druk op **ENTER** om te bevestigen.
- Selecteer **TIME**, druk op enter.
- Selecteer de uren met de knoppen omhoog/omlaag, druk op enter om de minuten met de knoppen omhoog/omlaag te selecteren, druk op enter om de seconden met de knoppen omhoog/omlaag te selecteren.
- Druk op **ENTER** om te bevestigen.

STAP 3 Automatische inschakeltijd instellen

- Druk op **MENU**
- Selecteer **SETTINGS** en druk op enter.
- Selecteer **DATE/TIME**, druk op enter.
- Selecteer **POWER ON**, druk op enter.

- Selecteer de uren met de knoppen omhoog/omlaag, druk op enter om de minuten met de knoppen omhoog/omlaag te selecteren, druk op enter om de seconden met de knoppen omhoog/omlaag te selecteren.
- Druk op **ENTER** om te bevestigen.

STAP 4 Automatische uitschakeltijd instellen

- Druk op **MENU**
- Selecteer **SETTINGS** en druk op enter.
- Selecteer **DATE/TIME**, druk op enter.
- Selecteer **POWER OFF**, druk op enter.
- Selecteer de uren met de knoppen omhoog/omlaag, druk op enter om de minuten met de knoppen omhoog/omlaag te selecteren, druk op enter om de seconden met de knoppen omhoog/omlaag te selecteren.
- Druk op **ENTER** om te bevestigen.

STAP 5 Selecteer het voorinstelde, kleur- of chase programma.

- Druk op **MENU**
- Selecteer **SETTINGS** en druk op enter.
- Selecteer **GENERAL**, druk op enter.
- Selecteer **POWER UP**, druk op enter.
- Selecteer een van de voorinstelde, kleur- of chase-programma's die u wilt gebruiken zodra de armatuur opstart.
- Druk op **ENTER** om te bevestigen.

DRAADLOOS DMX

Dit armatuur heeft een draadloze DMX-transmissie aan boord die werkt op de 2.4Ghz-frequentieband. Armatuur werkt als een ontvanger en heeft een zender nodig (item 154.077 BPP Draadloze DMX zender).

DMX UNIVERSE	KLEUR	DMX KANALEN
1	Rood	1 - 512
2	Groen	1 - 512
3	Geel	1 - 512
4	Blauw	1 - 512
5	Magenta	1 - 512
6	Cyaan	1 - 512
7	Wit	1 - 512

BESCHERMINGSKLASSE IP65

Apparaten met beschermingsklasse IP65 zijn stofdicht en volledig beschermd tegen contact (eerste codenummer). Ze zijn ook beschermd tegen spatwater vanuit elke hoek (tweede codecijfer). Daarom kan dit apparaat ook buiten worden gebruikt. Evenementapparatuur zijn over het algemeen echter alleen ontworpen voor tijdelijk gebruik (evenementenverlichting) en niet voor permanent buiten gebruik. De aangegeven beschermings-klasse geeft geen uitspraak over de weerbestendigheid van de armaturen (weerstand tegen veranderende omgevingscondities en tegen de effecten van zonlicht en UV-straling). De afdichtingen en schroefverbindingen van het apparaat moeten regelmatig worden gecontroleerd om een storingsvrije werking te garanderen.

ONDERHOUD

Dit apparaat is vrijwel onderhoudsvrij, echter u dient het apparaat regelmatig te controleren op mechanische en elektrische aspecten.

Beoordeel de gebruiksomgeving en stel een inspectie- en reinigingsschema waarbij de onderstaande richtlijnen in acht worden genomen:

- Ontkoppel het apparaat van het stroomnet en laat hem volledig afkoelen voordat u gaat beginnen met inspecteren en reinigen.
- Controleer de schroeven en bouten die gebruikt worden voor het installeren van het apparaat, deze moeten stevig vast gedraaid zijn en mogen geen corrosie vertonen.
- Controleer de behuizing, bevestigingspunten en installatiepunten, deze mogen geen sporen van vervorming, slijtage of materiaalmoetheid vertonen.
- Controleer de mechanisch bewegende delen, deze andere mogen geen sporen van slijtage of materiaalmoetheid vertonen.
- Controleer de elektrische voedings- en signaalkabels, deze mogen geen beschadigingen of materiaalmoetheid vertonen.
- Gebruik geen oplosmiddelen, schuurmiddelen of andere agressieve producten om het apparaat te reinigen.
- Veeg het apparaat af en reinig het glasplaat met een zachte, schone, pluisvrije doek, bevochtigd met een zwakke reinigingsoplossing. Leg de oplossing op de doek en niet op het te reinigen oppervlak. Vermijd het wrijven van glazen oppervlakken.
- Droog het apparaat, connectoren en contacten met een zachte, schone, pluisvrije doek of perslucht onder lage druk voordat u het apparaat opnieuw van stroom voorziet.

PROBLEMEN OPLOSSEN

De onderstaande checklist kan u hulp bieden in het onwaarschijnlijke geval dat zich een probleem voordoet tijdens het gebruik van het product:

SYMPTOOM	MOGELIJKE OORZAAK	VOORGESTELDE ACTIE
Geen reactie van het apparaat.	Geen stroomvoorziening. Zekering doorgebrand of interne fout.	Controleer of de voeding is ingeschakeld. Controleer de kabels en aansluitingen. Vervang de hoofdzekering of neem contact op met de Beamz Support of de door Beamz geautoriseerde servicepartner. Demonteer geen onderdelen van de behuizing. Probeer geen zekering te vervangen of reparaties of onderhoud uit te voeren die niet in deze gebruikershandleiding worden beschreven, tenzij u hiervoor toestemming hebt van de Beamz Support of een door Beamz geautoriseerde servicepartner.
Het apparaat wordt correct gereset, maar reageert niet (of niet correct) op de lichtstuurtafel.	De lichtstuurtafel is niet aangesloten. Slechte DMX-lijn. DMX-lijn heeft geen eindweerstand. Onjuiste adressering van het apparaat. Een apparaat is defect en verstoort de gegevensoverdracht op de DMX-lijn. Pin 2 en 3 zijn omgekeerd in XLR-aansluiting.	Verbind de lichtstuurtafel. Controleer de aansluitingen en kabels. Corrigeer slechte verbindingen. Repareer of vervang beschadigde kabels. Steek de DMX terminatorstekker in de DMX-uitgang van de laatste apparaat op de DMX-lijn. Controleer het apparaat adres en de instellingen van de DMX-modus. Haal de DMX IN en OUT connectoren uit het apparaat en verbind ze direct met elkaar om één apparaat per keer te omzeilen totdat de normale werking is hersteld. Laat een defecte apparaat onderhouden door een geautoriseerde technicus. Controleer de aansluitingen en kabels. Installeer een fase verschuivende kabel tussen de armaturen of wissel pin 2 en 3 in het apparaat, die zich afwijkend gedraagt.
Fout na reset van het apparaat.	Effect vereist mechanische aanpassing.	Controleer de softwareversie en foutmeldingen van het apparaat voor meer informatie. Neem contact op met Beamz Support of Beamz geautoriseerde servicepartner.
Geen lichtopbrengst of licht valt met tussenpozen uit.	Apparaat te warm. LED's defect Instellingen van de voedingsspanning komen niet overeenkomen met de lokale wisselspanning en frequentie.	Laat het apparaat afkoelen. Verlaag de omgevingstemperatuur. Zorg voor een vrije luchtstroom rond het apparaat. Reinig het apparaat indien nodig. Ontkoppel het apparaat en neem contact op met de Beamz Support of met een door Beamz geautoriseerde servicepartner. Ontkoppel het apparaat. Controleer de instellingen en corrigeer mogelijke fouten

SICHERHEITSHINWEISE



WARNUNG! Lesen Sie diese Anleitung sorgfältig durch, bevor Sie das Gerät in Betrieb nehmen, und bewahren Sie sie zum späteren Gebrauch auf. Sie enthält wichtige Informationen über die Installation, den Gebrauch und die Wartung des Gerätes.

- Vor der Inbetriebnahme des Gerätes auspacken und sorgfältig auf Transportschäden prüfen.
- Lesen Sie diese Anleitung sorgfältig durch und befolgen Sie sie.
- Beachten Sie alle Sicherheitshinweise. Entfernen Sie niemals Sicherheitshinweise oder andere Informationen vom Gerät.
- Achten Sie darauf, dass keine Lüftungsschlitze blockiert sind, da das Gerät sonst überhitzt.



WARNUNG! Bevor Sie das Gerät an eine Steckdose anschließen, überprüfen Sie, ob die Netzspannung und -frequenz mit den auf dem Gerät angegebenen Werten übereinstimmen. Wenn das Gerät über einen Spannungswahlschalter verfügt, schließen Sie das Gerät nur dann an das Netz an, wenn die Geräterwerte und die Netzspannungswerte übereinstimmen. Wenn das mitgelieferte Netzkabel oder -adapter nicht in Ihre Steckdose passt, wenden Sie sich an Ihren Elektriker.

- Überprüfen Sie nach dem Anschluss des Gerätes alle Kabel, um Schäden oder Unfälle, z.B. durch Stolperfallen, zu vermeiden.
- Das Netzkabel darf niemals geschrumpft oder beschädigt werden. Überprüfen Sie das Gerät und das Netzkabel von Zeit zu Zeit.
- Ziehen Sie immer den Netzstecker, wenn Sie das Gerät nicht benutzen oder vor der Reinigung! Fassen Sie das Netzkabel nur am Stecker und ziehen Sie niemals am Netzkabel.
- Ziehen Sie das Netzkabel und das Netzteil aus der Steckdose, wenn die Gefahr von Blitzschlag oder längerer Inaktivität besteht.
- Schalten Sie die Maschine nicht in schneller Folge ein und aus.
- Schließen Sie das Gerät nicht an ein Dimmerpack an.
- Installieren Sie das Gerät an einem gut belüfteten Ort.
- Legen Sie niemals Material über die Linse.
- Lassen Sie niemals Sonnenlicht direkt auf die Linse scheinen, auch wenn das Gerät nicht in Betrieb ist.
- Achten Sie immer auf einen Freiraum von mindestens 50 cm um das Gerät, um eine Belüftung zu gewährleisten.
- Achten Sie darauf, dass der Raum um und unter dem Montageort während der (Aus-)Montage oder Wartung des Gerätes verschlossen ist.
- Bei Verwendung mit einer Montagehöhe >100 cm ist die Leuchte immer mit einem geeigneten Sicherungsdraht zu befestigen. Befestigen Sie den Sicherungsdraht nur an den richtigen Befestigungspunkten. Der Sicherungsdraht darf niemals an den Transportgriffen befestigt werden!
- Niemals direkt in den Lichtstrahl schauen. Bitte beachten Sie, dass schnelle Veränderungen in der Beleuchtung, z.B. Blinklichter, bei lichtempfindlichen oder epileptischen Patienten epileptische Anfälle verursachen können.
- Dieses Gerät ist nicht für den Dauerbetrieb ausgelegt. Durch konsequente Betriebspausen wird sichergestellt, dass das Gerät lange Zeit störungsfrei arbeitet.



WARNUNG! Wenn das Netzkabel des Gerätes mit einer Erdungsklemme ausgestattet ist, schließen Sie es an eine Steckdose mit einer Schutzerdungsklemme an. Deaktivieren Sie niemals die Schutzerdung eines Netzkabels.

- Achten Sie darauf, dass das Gerät keiner extremen Hitze, Feuchtigkeit oder Staub ausgesetzt ist.
- Reinigen Sie das Gerät mit einem trockenen Tuch.
- Berühren Sie das Gerät während des Betriebs nicht mit bloßen Händen (das Gehäuse kann sehr heiß werden). Lassen Sie das Gerät vor der Handhabung mindestens 5 Minuten abkühlen.
- Dieses Gerät ist nur für den Innenbereich bestimmt, verwenden Sie es nicht in unmittelbarer Nähe von Flüssigkeiten (gilt nicht für spezielle Außengeräte – in diesem Fall befolgen Sie die folgenden besonderen Anweisungen). Setzen Sie dieses Gerät keinen brennbaren Stoffen, Flüssigkeiten oder Gasen aus.
- Wenn das Gerät starken Temperaturschwankungen ausgesetzt war (z.B. nach dem Transport), schalten Sie es nicht sofort ein. Die dabei entstehende Kondensation kann Ihr Gerät beschädigen. Lassen Sie das Gerät ausgeschaltet, bis es Raumtemperatur erreicht hat.
- Versuchen Sie niemals, den Thermostatschalter oder die Sicherungen zu umgehen.
- Demontieren oder modifizieren Sie das Gerät nicht.
- Verwenden Sie für den Austausch nur Sicherungen/Leuchten gleichen Typs und gleicher Leistung.
- Reparaturen, Wartungen und der elektrische Anschluss dürfen nur von einem qualifizierten Techniker durchgeführt werden.
- Die Umgebungstemperatur muss immer zwischen 0°C und +40°C liegen.
- Wenn dieses Gerät auf eine andere Weise als in dieser Anleitung beschrieben verwendet wird, kann das Produkt beschädigt werden und die Garantie erlischt.
- Plastiktüten sollten außerhalb der Reichweite von Kindern aufbewahrt werden.
- Das Gerät muss außerhalb der Reichweite von Kindern installiert werden. Betreiben Sie das Gerät niemals unbeaufsichtigt.



Dieses Symbol auf dem Produkt oder der Verpackung weist darauf hin, dass dieses Produkt nicht als normaler Haushaltsabfall behandelt werden darf. Es muss stattdessen an die entsprechende Sammelstelle für das Recycling von elektrischen und elektronischen Geräten abgegeben werden.

Indem Sie sicherstellen, dass dieses Gerät ordnungsgemäß entsorgt wird, tragen Sie dazu bei, mögliche negative Auswirkungen auf die Umwelt und die menschliche Gesundheit zu vermeiden, die sonst durch eine unsachgemäße Entsorgung dieses Produkts verursacht werden könnten. Recycling-Materialien tragen zur Schonung der natürlichen Ressourcen bei. Für weitere Informationen zur Wiederverwertung dieses Produkts wenden Sie sich bitte an Ihre Gemeinde, Ihren Hausmüllentsorger oder an den Laden, in dem Sie das Produkt gekauft haben.

Tronios BV Registrierungsnummer : DE51181017 (ElektroG) / 21003000 (BatterieG)

AUSPACKEN



ACHTUNG! Packen Sie den Karton sofort nach Erhalt sorgfältig aus, überprüfen Sie seinen Inhalt, um sicherzustellen, dass alle Teile vorhanden sind und in gutem Zustand erhalten wurden. Bei Transportschäden oder fehlenden Teilen ist der Verkäufer unverzüglich zu informieren. Lagern Sie die Verpackung und das Verpackungsmaterial. Wenn das Produkt zurückgegeben werden muss, ist es wichtig, dass das Produkt in der Originalverpackung zurückgegeben wird.

Wenn das Gerät drastischen Temperaturunterschieden ausgesetzt war (z.B. nach dem Transport), schalten Sie es nicht sofort ein. Die dabei entstehende Kondensation kann das Gerät beschädigen. Vergewissern Sie sich, dass das Gerät Raumtemperatur hat, und stecken Sie dann den Netzstecker in die Steckdose.

NETZANSCHLUSS

Auf der Rückseite von das Gerät wird angezeigt, an welche Netzspannung es angeschlossen werden muss. Prüfen Sie, ob die Netzspannung mit dieser übereinstimmt. Wenn die Netzspannung von der angegebenen abweicht, kann das Gerät irreparabel beschädigt werden. Das Gerät muss auch direkt an die Netzspannung angeschlossen werden. Es darf kein Dimmer oder eine einstellbare Stromversorgung verwendet werden.

Das Gerät verfügt über einen powerconnector Netzausgang. Entsprechend der örtlichen Gegebenheiten können mehrere Geräte durch powerconnector Ein- und Ausgang verlinkt werden. Verbinden Sie maximal vier (bei Benutzung von 230V/16A) P12 in einer Reihe. Nutzen Sie dafür ein zugelassenes dreiadriges Kabel mit min. 1,5 mm² Querschnitt. Dabei sind die Installationshinweise vom Hersteller und die Farbkodierung des Kabels zu beachten. Schalten Sie das Gerät nicht durch Drehen des powerconnector aus, sondern verwenden Sie den Ein-/Ausschalter oder ziehen Sie den Netzstecker!

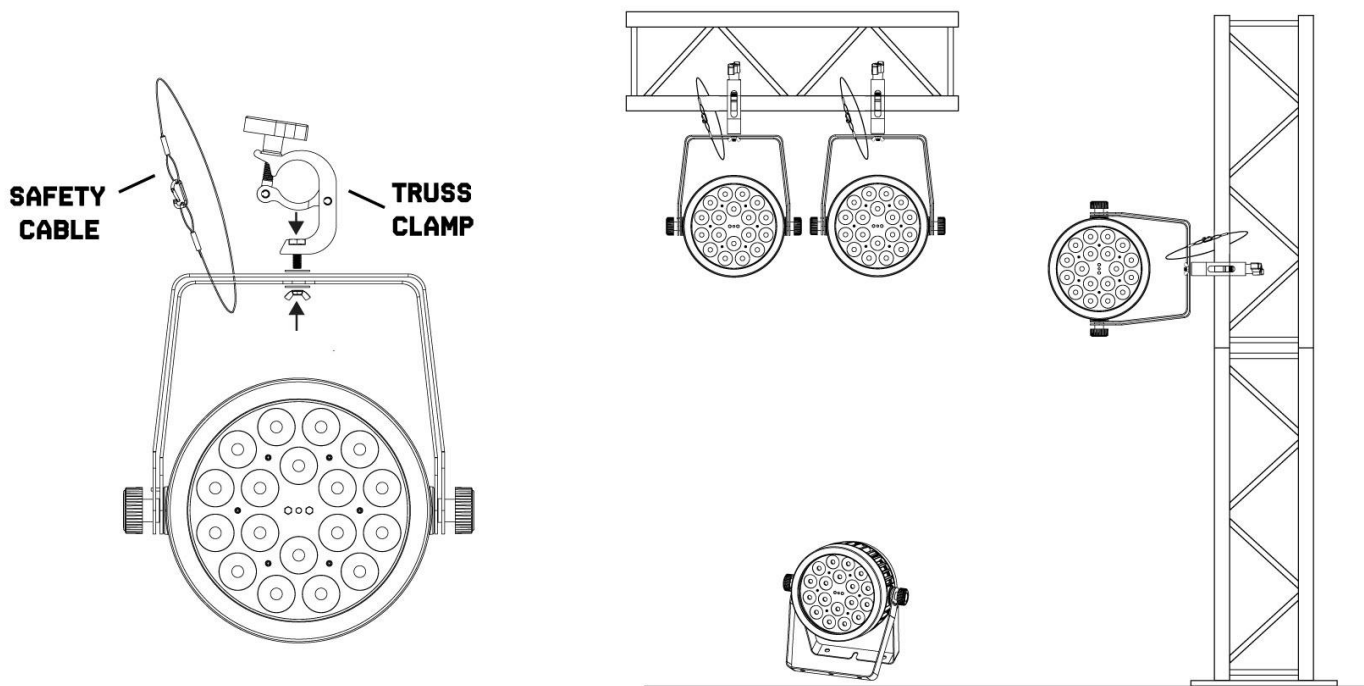


WARNUNG! Schließen Sie das Gerät immer an einen geschützten Stromkreis an (Fehlerstromschutzschalter oder Sicherung). Vergewissern Sie sich, dass das Gerät ausreichend elektrisch geerdet ist, um die Gefahr eines Stromschlags oder Brandes zu vermeiden.

RIGGING

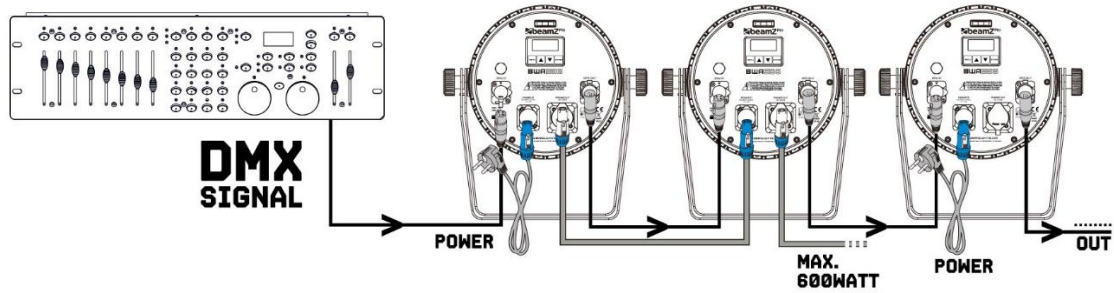
Das Gerät kann auf einer stabilen und ebenen Fläche aufgestellt werden. Durch die Befestigungsmöglichkeiten der Grundplatte kann das Gerät auch kopfüber an einer Traverse montiert werden, siehe untenstehende Abbildung. Für die Befestigung sind zertifizierte Klemmen mit korrekter Tragfähigkeit erforderlich. Gemäß der Abbildung werden die Schnellverschlussriegel der Omega-Halterungen in die vorgesehenen Öffnungen der Grundplatte eingesetzt und im Uhrzeigersinn gedreht, bis sie einrasten (bis zum Anschlag). Der Montageort muss ausreichend stabil sein und ein Gewicht von dem 10-fachen des Gerätegewichts tragen können. Befestigen Sie das Gerät mit einem Sicherheitskabel so, dass es nicht herunterfallen kann.

Befolgen Sie bei der Durchführung einer Installation immer die europäischen und nationalen Richtlinien bezüglich Rigging, Traversen und allen anderen Sicherheitsaspekten. Lassen Sie die Installation immer von einem autorisierten Fachhändler prüfen!

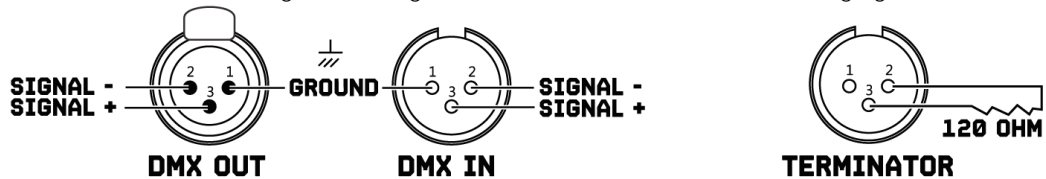


DMX BETIENUNG

Wenn Sie einen Standard-DMX-Controller verwenden, können Sie den DMX-Ausgang des Controller direkt mit dem DMX-Eingang des ersten Gerats verbinden. Verbinden Sie den DMX-Ausgang immer mit dem nachsten DMX-Eingang des nachsten Gerats, bis alle Gerate angeschlossen sind.



ACHTUNG! Bei der letzten Gerat mussen Sie die DMX-Leitung mit einem Abschlusswiderstand schlieen. Nehmen Sie einen XLR-Stecker und loten Sie einen 120-Ohm-Widerstand zwischen Signal (-) und Signal (+) und stecken Sie diesen in den DMX-Ausgang der letzten Gerat in der Leitung.



NETZSCHALTER

EINSCHALTEN ODER AUSSCHALTEN

Drucken Sie die **POWER ON/OFF**-Taste kurz, um das Gerat einzuschalten. Das Ausschalten erfolgt durch langeres Drucken der **POWER ON/OFF**-Taste. Sobald die grune LED zu blinken beginnt, lassen Sie die **POWER ON/OFF**-Taste los.

DMX UNIVERSE

Sobald das Gerat gestartet ist, konnen Sie durch kurzes Drucken von **POWER ON/OFF** zwischen dem DMX-Universum wechseln.

FACTORY SETTINGS

Um die Werkseinstellungen wiederherzustellen, drucken Sie die **POWER ON/OFF**-Taste 30 Sekunden lang.

FERNBEDIENUNG

BLACK OUT MODE

Drucken Sie **<Blackout>**, um die Fernbedienungeinstellungen zu loschen und die Beleuchtung auszuschalten.

AUTO

1. Drucken Sie **<AUTO>**, um den Farbburst-Effekt zu aktivieren.
2. Drucken Sie **<Schwarzung>**, um den Farbverschiebungseffekt zu deaktivieren.

SOUND

1. Drucken Sie **<SOUND>**, um den Sound-Active-Modus zu aktivieren.
2. Drucken Sie **<Blackout>**, um den Sound-Active-Modus zu deaktivieren.

SENSITIVITY

1. Drucken Sie **<SENSITIVITY>** auf der Fernbedienung.
2. Drucken Sie **<+>** oder **<->**, um die Tonempfindlichkeit einzustellen.

SPEED

So stellen Sie die Geschwindigkeit der Farbsprung-/Verblassungs-/Pluseffekte ein

1. Drucken Sie **<SPEED>** auf der Fernbedienung.
2. Drucken Sie **<+>** oder **<->**, um die Geschwindigkeit der Farbeffekte einzustellen.

STROBE

1. Drucken Sie **<STROBE >** auf der Fernbedienung.
2. Drucken Sie **<+>** oder **<->**, um die Geschwindigkeit des Programms zu erhohen oder zu verringern.
3. Druk op **<STROBE>** um das Stroboskop auszuschalten.

%

1. Drucken Sie **<%>**, um den Farbschleifen-Effekt zu aktivieren.
2. Drucken Sie **<Ausblenden>**, um den Farbuberlagerungseffekt zu deaktivieren.

FADE

1. Drucken Sie **<FADE>**, um den Farbuberblendeffekt zu aktivieren.



2. Drücken Sie **<Blackout>**, um den Farbüberblendeffekt zu deaktivieren.

MANUAL

Drücken Sie **<MANUAL>**, um die voreingestellten Farben zu aktivieren, es gibt zwei Modi:

MODE A :

Drücken Sie zuerst die Taste **<MANUAL>** und dann die Tasten **<R>**, **<G>**, ****, **<W>**, **<A>** oder **<UV>** (rot, grün, blau, weiß, bernsteinfarben, UV), um eine Farbe auszuwählen.

Drücken Sie das 1. Mal, es ist 20% Helligkeit

Drücken Sie das 2. Mal, es ist 40% Helligkeit

Drücken Sie das 3. Mal, es ist 60% Helligkeit

Drücken Sie das 4. Mal, es ist 80% Helligkeit

Drücken Sie das 5. Mal, es ist 100% Helligkeit

MODE B:

Drücken Sie erneut die Taste **<MANUAL>** und dann **<R>**, **<G>**, ****, **<W>**, **<A>** oder **<UV>** (Rot, Grün, Blau, Weiß, Bernstein, UV), um die gewünschte Farbe auszuwählen;

Drücken Sie **<+>** oder **<->**, um die Helligkeit zu erhöhen oder zu verringern.

ZIFFER 0~9

1. Drücken Sie die Ziffern **<0>** bis **<9>**, um den voreingestellten Farbmodus auszuwählen.

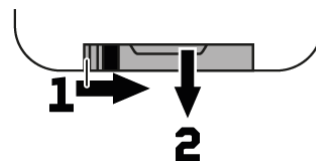
2. Drücken Sie **<+>** oder **<->**, um die Helligkeit zu erhöhen oder zu verringern.

3. Drücken Sie **<Ausblenden>**, um die ausgewählte voreingestellte Farbe zu deaktivieren.



ACHTUNG! Fernbedienung wird mit eingesetzter Batterie geliefert. Damit die Batterie während der Lagerung nicht entladen werden kann, befindet sich eine Isolierfolie zwischen der Batterie und den Batteriekontakten. Ziehen Sie vor dem ersten Betrieb die Folie auf der Rückseite der Fernbedienung aus dem Batteriehalter heraus. Anderenfalls ist die Fernbedienung nicht funktionstüchtig.

Wenn die Reichweite der Fernbedienung abnimmt, ersetzen Sie die Batterie. Drücken Sie dazu auf der Rückseite der Fernbedienung den kleinen Riegel mit der Kerbe nach rechts drücken (1) und ziehen Sie gleichzeitig den Batteriehalter heraus (2). Für den Betrieb der Fernbedienung wird eine 3-V-Knopfzelle Typ CR 2025 benötigt. Achten Sie beim Einsetzen darauf, dass der Pluspol der Knopfzelle im Halter nach oben zeigt.



TIMERFUNKTION

Das Gerät verfügt über eine eingebaute Timerfunktion. Das Gerät kann zu bestimmten Zeiten und Daten die vorprogrammierte Voreinstellung, Farbe oder Verfolgung anzeigen.

SCHRITT 1 Stellen Sie die Batteriespannung zwischen 5-10% ein.

- Drücken Sie **MENU**
- Wählen Sie **SETTINGS**, drücken Sie die Enter-Taste.
- Wählen Sie **GENERAL**, drücken Sie die Enter-Taste.
- Select **POWER OFF BATT**, drücken Sie die Enter-Taste.
- Wählen Sie mit den Auf- und Ab-Tasten einen Prozentsatz zwischen 5 und 10%.
- Drücken Sie zur Bestätigung **ENTER**.

SCHRITT 2 Stellen Sie das aktuelle Datum und die aktuelle Uhrzeit ein.

- Drücken Sie **MENU**
- Wählen Sie **SETTINGS**, drücken Sie die Eingabetaste.
- Wählen Sie **DATE/TIME**, drücken Sie die Enter-Taste.
- Wählen Sie **DATE**, drücken Sie die Enter-Taste.
- Wählen Sie das Jahr mit den Tasten Auf/Ab, drücken Sie die Enter-Taste, um den Monat mit den Tasten Auf/Ab auszuwählen, drücken Sie die Enter-Taste, um den Tag mit den Tasten Auf/Ab auszuwählen.
- Drücken Sie zur Bestätigung **ENTER**.
- Wählen Sie **TIME**, drücken Sie die Enter-Taste.
- Wählen Sie die Stunden mit den Tasten Auf/Ab, drücken Sie die Enter-Taste, um die Minuten mit den Tasten Auf/Ab auszuwählen, drücken Sie die Enter-Taste, um die Sekunden mit den Tasten Auf/Ab auszuwählen.
- Drücken Sie zur Bestätigung **ENTER**.

SCHRITT 3 Stellen Sie die Automatische Einschaltzeit ein

- Drücken Sie **MENU**
- Wählen Sie **SETTINGS**, drücken Sie die Eingabetaste.
- Wählen Sie **DATE/TIME**, drücken Sie die Enter-Taste.
- Wählen Sie **POWER ON**, drücken Sie die Enter-Taste.

- Wählen Sie die Stunden mit den Tasten Auf/Ab, drücken Sie die Enter-Taste, um die Minuten mit den Tasten Auf/Ab auszuwählen, drücken Sie die Enter-Taste, um die Sekunden mit den Tasten Auf/Ab auszuwählen.
- Drücken Sie zur Bestätigung **ENTER**.

SCHRITT 4 Stellen Sie die Automatische Abschaltzeit ein

- Drücken Sie **MENU**
- Wählen Sie **SETTINGS**, drücken Sie die Eingabetaste.
- Wählen Sie **DATE/TIME**, drücken Sie die Eingabetaste.
- Wählen Sie **POWER OFF**, drücken Sie die Eingabetaste.
- Wählen Sie die Stunden mit den Tasten Auf/Ab, drücken Sie die Enter-Taste, um die Minuten mit den Tasten Auf/Ab auszuwählen, drücken Sie die Enter-Taste, um die Sekunden mit den Tasten Auf/Ab auszuwählen.
- Drücken Sie zur Bestätigung **ENTER**.

SCHRITT 5 Wählen Sie das Preset-, Farb- oder Lauflichtprogramm aus.

- Drücken Sie **MENU**
- Wählen Sie **SETTINGS**, drücken Sie die Eingabetaste.
- Wählen Sie **GENERAL**, drücken Sie die Eingabetaste.
- Wählen Sie **POWER UP**, drücken Sie die Eingabetaste.
- Wählen Sie eines der Preset-, Farb- oder Chase programme, die Sie beim Einschalten der Leuchte verwenden möchten.
- Drücken Sie zur Bestätigung **ENTER**.

FUNK DMX

Das Gerät hat eine drahtlose DMX-Funkverbindung an Bord, die auf dem 2,4Ghz-Frequenzband arbeitet. Das Gerät fungiert als Empfänger und benötigt einen Sender (Artikel 154.077 BPP Wireless DMX Transmitter).

DMX UNIVERSUM	FARBE	DMX-KANÄLE
1	Rod	1 - 512
2	Grün	1 - 512
3	Gelb	1 - 512
4	Blau	1 - 512
5	Pink	1 - 512
6	Türkis	1 - 512
7	Weiß	1 - 512

SCHUTZKLASSE IP65

Geräte der Schutzart IP65 sind staubdicht und vollständig berührungsgeschützt (erste Kennziffer). Außerdem sind sie gegen Spritzwasser aus jedem Winkel geschützt (zweite Kennziffer). Damit kann dieses Gerät auch im Außenbereich eingesetzt werden. Veranstaltungstechnik ist jedoch in der Regel nur für den temporären Einsatz (Veranstaltungsbeleuchtung) und nicht für den permanenten Außeneinsatz konzipiert. Die angegebene Schutzart gibt keinen Hinweis auf die Witterungsbeständigkeit der Leuchten (Beständigkeit gegen wechselnde Umgebungsbedingungen sowie gegen Einflüsse von Sonnenlicht und UV-Strahlung). Die Dichtungen und Schraubverbindungen des Gerätes müssen regelmäßig überprüft werden, um einen störungsfreien Betrieb zu gewährleisten.

PFLEGE

Dieses Gerät ist wartungsfrei, aber Sie sollten das Gerät regelmäßig auf mechanische und elektrische Aspekte überprüfen.

Bewerten Sie die Betriebsumgebung und erstellen Sie einen Inspektions- und Reinigungsplan, der den folgenden Richtlinien entspricht:

- Trennen Sie das Gerät vom Stromnetz und lassen Sie es vollständig abkühlen, bevor Sie mit der Inspektion und Reinigung beginnen.
- Überprüfen Sie die Schrauben und Bolzen, mit denen die Vorrichtung montiert wurde, sie müssen fest angezogen sein und dürfen keine Korrosion aufweisen.
- Überprüfen Sie das Gehäuse, die Befestigungspunkte und die Montagepunkte, sie dürfen keine Anzeichen von Verformung, Verschleiß oder Ermüdung aufweisen.
- Überprüfen Sie die mechanisch beweglichen Teile, diese dürfen keine Anzeichen von Verschleiß oder Ermüdung aufweisen.
- Überprüfen Sie die elektrischen Versorgungs- und Signalkabel, sie dürfen keine Schäden oder Ermüdung aufweisen.
- Verwenden Sie zur Reinigung des Geräts keine Lösungsmittel, Scheuermittel oder andere aggressive Produkte.
- Wischen Sie das Gerät ab und reinigen Sie die Glasplatte mit einem weichen, sauberen, fusselneutren Tuch, das mit einer schwachen Reinigungslösung befeuchtet ist. Die Lösung auf das Tuch und nicht auf die zu reinigende Oberfläche geben. Vermeiden Sie es, Glasflächen zu reiben.
- Trocknen Sie das Gerät, die Anschlüsse und Kontakte mit einem weichen, sauberen, fusselneutren Tuch oder Niederdruck-Druckluft, bevor Sie das Gerät wieder mit Strom versorgen.

FEHLERSUCHE

Die folgende Checkliste kann Ihnen im unwahrscheinlichen Fall helfen, dass während der Verwendung des Produkts ein Problem auftritt:

SYMPTOM	MÖGLICHE URSACHE	VORGESCHLAGENE AKTION
Das Gerät reagiert nicht.	Keine Stromversorgung. Sicherung durchgebrannt oder interner Fehler.	Vergewissern Sie sich, dass das Gerät eingeschaltet ist. Überprüfen Sie die Kabel und Anschlüsse. Tauschen Sie die Hauptsicherung aus oder wenden Sie sich an den Beamz Support oder den autorisierten Beamz Servicepartner. Demontieren Sie keine Teile des Gehäuses. Versuchen Sie nicht, eine Sicherung auszutauschen oder Reparaturen oder Wartungsarbeiten durchzuführen, die nicht in dieser Bedienungsanleitung beschrieben sind, es sei denn, Sie haben die Erlaubnis von Beamz Support oder einem von Beamz autorisierten Servicepartner.
Das Gerät wird korrekt zurückgesetzt, reagiert jedoch nicht (oder nicht richtig) auf den Controller.	Der Controller ist nicht angeschlossen. Schlechte DMX-Leitung. Die DMX-Leitung hat keinen Abschlusswiderstand. Falsche Adressierung des Gerätes Ein Gerät ist defekt und stört die Datenübertragung auf der DMX-Leitung. Pin 2 und 3 sind in XLR-Verbindung vertauscht.	Verbinden Sie den Controller. Überprüfen Sie die Anschlüsse und Kabel. Korrigieren Sie schlechte Verbindungen. Reparieren oder ersetzen Sie beschädigte Kabel. Stecken Sie den DMX-Terminator-Stecker in den DMX-Ausgang des letzten Gerätes auf der DMX-Leitung. Überprüfen Sie die Einstellungen der Geräteadresse und des DMX-Modus. Entfernen Sie die DMX IN- und OUT-Stecker aus dem Gerät und verbinden Sie sie direkt miteinander, um jeweils ein Gerät zu umgehen, bis der normale Betrieb wiederhergestellt ist. Lassen Sie ein defektes Gerät von einem autorisierten Techniker warten. Überprüfen Sie die Anschlüsse und Kabel. Installieren Sie ein Phasenschieberkabel zwischen den Geräten oder tauschen Sie die Pins 2 und 3 in dem Gerät aus, das sich anders verhält.
Fehler nach dem Zurücksetzen des Geräts	Der Effekt erfordert eine mechanische Anpassung.	Überprüfen Sie die Softwareversion und die Fehlermeldungen des Gerätes für weitere Informationen. Wenden Sie sich an den Beamz Support oder an den autorisierten Beamz-Servicepartner.
Kein Lichtaustritt oder Licht ist intermittierend.	Gerät zu heiß LEDs defekt Die Stromversorgungseinstellungen passen nicht zur örtlichen Netzspannung und Frequenz.	Lassen Sie das Gerät abkühlen. Reduzieren Sie die Umgebungstemperatur. Achten Sie auf einen freien Luftstrom um das Gerät herum. Reinigen Sie das Gerät bei Bedarf. Trennen Sie das Gerät und kontaktieren Sie den Beamz Support oder einen von Beamz autorisierten Servicepartner. Trennen Sie das Gerät vom Stromnetz. Überprüfen Sie die Einstellungen und beheben Sie mögliche Fehler.

INSTRUCCIONES DE SEGURIDAD



PRECAUCIÓN! Antes de realizar cualquier operación con la unidad, lea atentamente este manual de instrucciones y guárdelo con cura para futuras consultas. Contiene información importante sobre la instalación, uso y mantenimiento de la unidad.

- Desembale y compruebe cuidadosamente que no haya daños de transporte antes de usar la unidad
- Lea atentamente estas instrucciones y siga las instrucciones.
- Observe todas las advertencias de seguridad. Nunca elimine las advertencias de seguridad u otra información del equipo.
- Asegúrese de que no haya ranuras de ventilación bloqueadas; de lo contrario la unidad se sobrecalentará.



PRECAUCIÓN! Antes de conectar el equipo a la toma de corriente, primero verifique que la tensión y la frecuencia de la red coincidan con los valores especificados en el equipo. Si el equipo tiene un interruptor de selección de voltaje, conecte el equipo a la toma de corriente solo si los valores del equipo y los valores de la red eléctrica coinciden. Si el cable de alimentación incluido o el adaptador de corriente no encaja en el tomacorriente de pared, comuníquese con su electricista.

- Después de conectar la unidad, verifique todos los cables para evitar daños o accidentes debido a peligros de tropiezos.
- Asegúrese de que el cable de alimentación nunca esté rizado o dañado. Compruebe el dispositivo y el cable de alimentación de vez en cuando.
- ¡Desconecte siempre la alimentación de la red eléctrica, cuando no se utilice el dispositivo o antes de limpiarlo! Sólo manipule el cable de alimentación por el enchufe. Nunca desenchufe el cable tirando del cable de alimentación.
- Desenchufe el cable de alimentación y el adaptador de alimentación de la toma de corriente si existe riesgo de que se caiga un rayo o antes de períodos prolongados de desuso.
- No encienda y apague la unidad en intervalos cortos.
- No conecte la unidad a un dimmerpack.
- Instale la unidad en un lugar bien ventilado.
- Nunca coloque ningún material sobre los leds o las lentes.
- Nunca deje que la luz del sol ilumine directamente a la lente, incluso cuando la unidad no esté funcionando.
- Permita siempre un espacio libre de aire de al menos 50 cm alrededor de la unidad para la ventilación.
- Asegúrese de que el área que se encuentra debajo del lugar de instalación esté bloqueada al instalar, desmontar o reparar el accesorio.
- Para una altura de montaje superior a un metro, fije siempre el accesorio con una cuerda de seguridad adecuada. Fije la cuerda de seguridad únicamente en los puntos de fijación correctos. ¡La cuerda de seguridad no debe fijarse nunca en las asas de transporte!
- Nunca mire directamente al haz de luz. Tenga en cuenta que los cambios rápidos en la iluminación, y la luz intermitente, pueden desencadenar ataques epilépticos en personas fotosensibles o personas con epilepsia.
- Esta unidad no está diseñada para una operación permanente. Las interrupciones constantes de la operación garantizarán que el dispositivo le servirá durante mucho tiempo sin defectos.



PRECAUCIÓN! Si el cable de alimentación del dispositivo está equipado con un contacto de conexión a tierra, debe conectarse a una toma de corriente con una conexión a tierra de protección. Nunca desactive la conexión a tierra protectora de un cable de alimentación.

- Asegúrese de que la unidad no esté expuesta a calor extremo, humedad o polvo.
- Limpie la unidad con un paño seco.
- No toque el aparato con las manos descubiertas durante su funcionamiento (la carcasa se calienta mucho). Deje que el aparato se enfríe durante al menos 5 minutos antes de manipularlo.
- Esta unidad está diseñada exclusivamente para uso en interiores, no use este equipo en las inmediaciones del fluido (no se aplica a equipos especiales para exteriores, en este caso, siga las instrucciones especiales que se indican a continuación). No exponga esta unidad a materiales, líquidos o gases inflamables.
- Si la unidad ha estado expuesta a una fluctuación drástica de la temperatura (por ejemplo, después del transporte), no la encienda de inmediato. El agua de condensación que surge puede dañar su unidad. Deje la unidad apagada hasta que alcance la temperatura ambiente.
- Nunca intente pasar por alto el interruptor termostático o los fusibles.
- No desmonte ni modifique la unidad.
- Para reemplazo, use fusibles / bombilla del mismo tipo y clasificación solamente.
- Las reparaciones, el servicio y la conexión eléctrica deben ser llevados a cabo por un técnico calificado.
- La temperatura ambiente siempre debe estar entre 0°C y +40°C.
- Si esta unidad se opera de una manera diferente a la descrita en este manual, el producto podría sufrir daños y la garantía quedará anulada.
- Las bolsas de plástico deben mantenerse fuera del alcance de los niños.
- La unidad debe instalarse fuera del alcance de los niños. Nunca deje la unidad funcionando sin supervisión..



Este símbolo en el producto o en su empaque indica que este producto no debe ser tratado como basura doméstica. En su lugar, se entregará al punto de recolección correspondiente para el reciclaje de equipos eléctricos y electrónicos.

Al garantizar que este producto se elimine correctamente, ayudará a evitar posibles consecuencias negativas para el medio ambiente y la salud humana, que de otro modo podrían ser causadas por el manejo inadecuado de los desechos de este producto. El reciclaje de materiales ayudará a conservar los recursos naturales. Para obtener información más detallada sobre el reciclaje de este producto, comuníquese con su Oficina Cívica local, el servicio de eliminación de desechos domésticos o la tienda donde adquirió el producto.

INSTRUCCIONES DE DESEMBALAJE

⚠️ ATENCIÓN! Inmediatamente después de recibir el producto, desembale la caja con cuidado, verifique el contenido para asegurarse de que todas las partes estén presentes y se hayan recibido en buenas condiciones. Notifique al remitente de inmediato y guarde el material de empaque para inspeccionarlo si aparecen piezas dañadas por el envío o si el propio paquete muestra signos de mal manejo. Guarde el paquete y todos los materiales de embalaje. En el caso de que el producto deba devolverse a la fábrica, es importante que el producto se devuelva en la caja y empaque originales de fábrica.

Si el dispositivo ha estado expuesto a una drástica fluctuación de la temperatura (por ejemplo, después del transporte), no lo encienda de inmediato. El agua de condensación que surge podría dañar su dispositivo. Deje el dispositivo apagado hasta que alcance la temperatura ambiente.

FUENTE DE ALIMENTACIÓN

En la etiqueta que se encuentra en la parte posterior del producto, se indica que este tipo de fuente de alimentación debe estar conectada. Verifique que la tensión de la red corresponda a esto, todos los demás voltajes que los especificados, el efecto de la luz puede dañarse irreparablemente. El producto también debe estar conectado directamente a la red eléctrica y se puede utilizar.

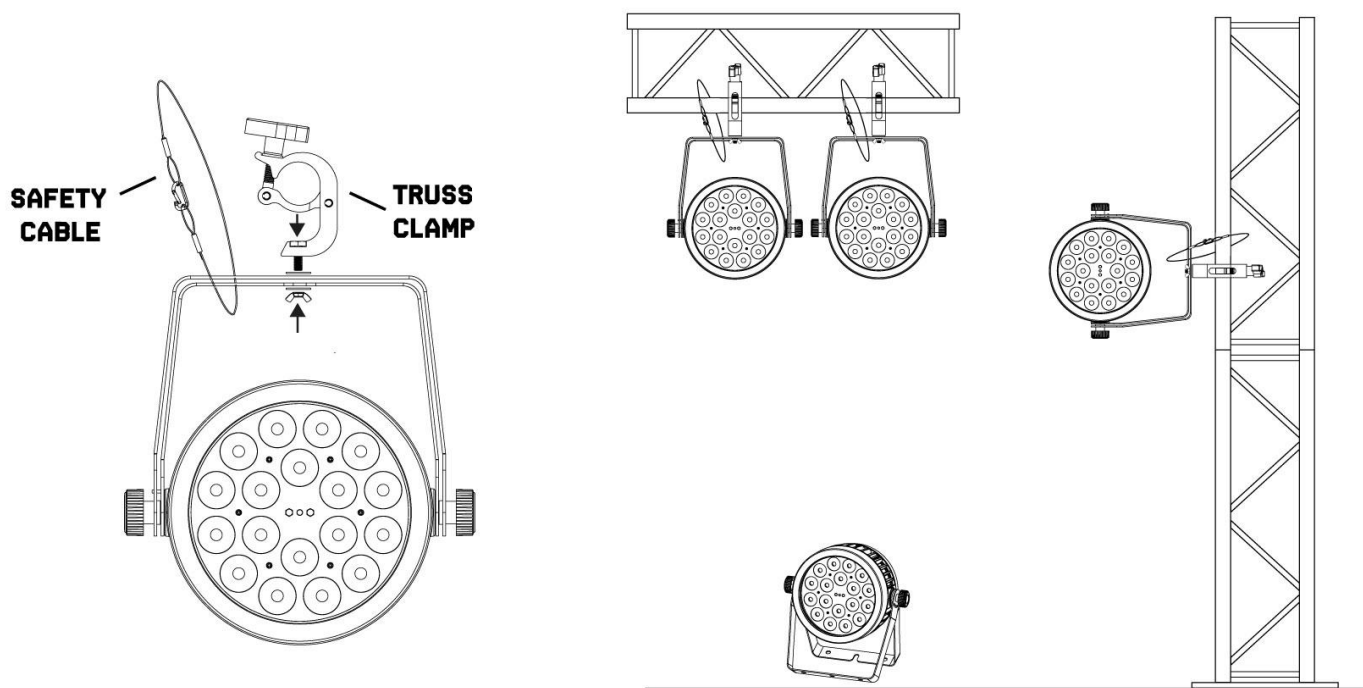
La unidad incorpora una salida de alimentación powercon. Dependiendo de la alimentación local, varias unidades pueden linkarse por powercon in y out. Conecte un máximo de cuatro unidades (si usa toma 230V/16A) en una sola fila. Use cable apropiado de 3 hilos con una sección de al menos 1.5 mm². Las instrucciones del fabricante y del código de colores de conexión deben seguirse siempre. No desconecte la unidad desde el conector powercon, use el interruptor on/off o desconecte del schuko!

⚠️ PRECAUCIÓN! Siempre conecte el dispositivo a un circuito protegido (disyuntor o fusible). Asegúrese de que el dispositivo tenga una toma de tierra eléctrica adecuada para evitar el riesgo de electrocución o incendio.

INSTALACIÓN

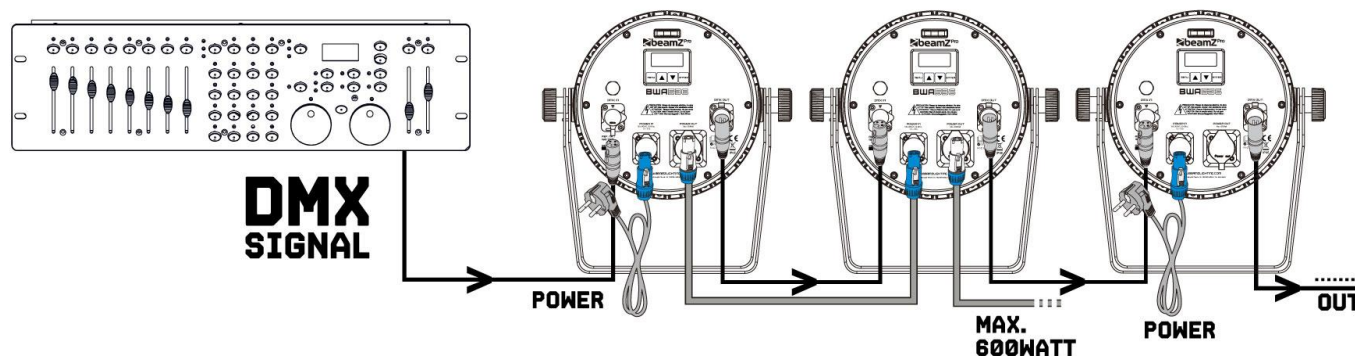
El accesorio se puede instalar en una superficie estable y uniforme. Por medio de las instalaciones de fijación de la placa de base, la unidad también se puede montar boca abajo a un truss, vea la imagen de abajo. Para la fijación, se requieren abrazaderas certificadas con la carga de trabajo correcta. Según la figura, los pernos de bloqueo rápido de los soportes omega se colocan en las aberturas provistas en la placa base y se giran en el sentido de las agujas del reloj hasta que se bloquean (hasta el tope). El lugar de montaje debe ser lo suficientemente estable y ser capaz de soportar un peso de 10 veces el peso de la unidad. Asegure el accesorio con un cable de seguridad para que no pueda caerse.

Al realizar cualquier instalación, siempre cumpla con las directrices europeas y nacionales relativas a aparejos, armazones y todos los demás problemas de seguridad. Deje siempre la instalación revisada por un distribuidor autorizado!

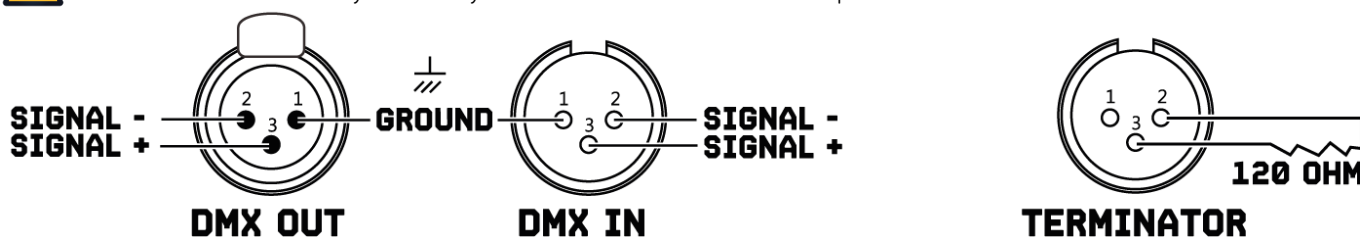


CONTROL DMX512

Si está utilizando un controlador DMX estándar, puede conectar la salida DMX del controlador directamente a la entrada DMX del primer dispositivo en una cadena DMX. Siempre conecte la salida de una unidad con la entrada del siguiente dispositivo hasta que todos los dispositivos estén conectados.



ATENCIÓN! En el último aparato, debe cerrar la línea DMX con una resistencia de terminación. Tome un conector XLR y suelde una resistencia de 120 Ohm entre la señal (-) y la señal (+) y conéctela a la salida DMX del último dispositivo en la línea.



POWER SWITCH ENCENDER O APAGAR

Pulse brevemente el botón **POWER ON/OFF** para encender el aparato. El apagado puede realizarse manteniendo pulsado el botón **POWER ON/OFF** durante más tiempo. En cuanto el LED verde empiece a parpadear, suelte el botón **POWER ON/OFF**.

DMX UNIVERSE

Una vez que el aparato se ha puesto en marcha, se puede cambiar entre el universo DMX pulsando brevemente **POWER ON/OFF**.

FACTORY SETTINGS

Para restaurar los ajustes de fábrica, pulse el botón **POWER ON/OFF** durante 30 segundos.

MANDO A DISTANCIA

MODO BLACK OUT

Pulse **<BLACK OUT>** para apagar la salida de luz. Pulse de nuevo **<BLACK OUT>** para volver al último modo.

MODO AUTO

En el modo "AUTO" se mostrarán los espectáculos luminosos preprogramados. Para activar el modo automático:

1. Pulse **<AUTO>** del mando a distancia.
2. Pulse **<+>** o **<->** para elegir entre los diferentes programas.

MODO DE SONIDO

El modo Sound-Active permite que el producto responda a la música.

Para activar el modo de sonido activo:

1. Pulse **<SONIDO>** en el mando a distancia.
2. Pulse **<+>** o **<->** para elegir entre los diferentes programas de sonido.

MODO STROBE

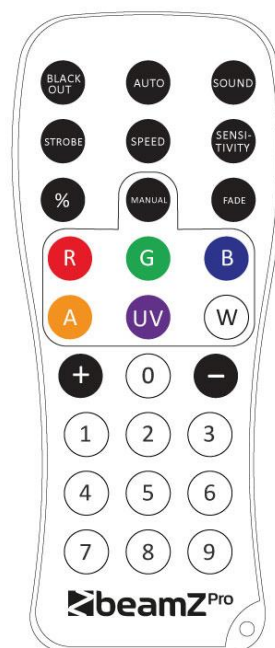
Para ajustar la velocidad del flash del programa automático y del programa de sonido activo.

1. Pulse **<STROBE>** en el mando a distancia.
2. Pulse **<+>** o **<->** para aumentar o disminuir la velocidad del programa.
3. Pulse de nuevo **<STROBE>** para apagar el flash.

SPEED MODE

para ajustar la velocidad del programa automático y del programa de audio activo.

1. Pulse **<SPEED>** en el mando a distancia.
2. Pulse **<+>** o **<->** para aumentar o disminuir la velocidad del programa.



SENSITIVITY MODE

en el modo "SENSIBILIDAD", puede ajustar la sensibilidad del sonido del modo "SONIDO". para ajustar el modo de sensibilidad:

1. Presione <SENSIBILIDAD> del mando a distancia.
2. Pulse <+> o <-> para aumentar o disminuir la sensibilidad del sonido.

% MODE

1. delectar el ajuste de la fijación maestra.
2. pulse <+> o <-> para ajustar el valor maestro. pulse <DMX> en el mando a distancia, el producto funcionará en modo de control DMX.

MANUAL MODE

1. druk op <MANUAL> van de afstandsbediening
- 2 presione <+> o <-> para ajustar la ID preestablecida.
3. Presione <R>, <G>, , <W>, <A> o <UU> (rojo, verde, azul, blanco, ámbar o ultravioleta) para elegir el color.
3. Presione <R>, <G>, , <W>, <A> o <UU> (rojo, verde, azul, blanco, ámbar o ultravioleta) nuevamente para cerrar su color.
4. Presione <+> o <-> para aumentar o disminuir el porcentaje de cada color.

MODO FUNDIDO

Para ajustar la velocidad de FADE del programa automático, el programa basado en música y el modo manual.

El modo de fundido permite la transición de color.

1. Presione <FADE> en el control remoto.
2. Presione <+> o <-> para aumentar o disminuir el tiempo de desvanecimiento.

NÚMERO 1 ~ 9

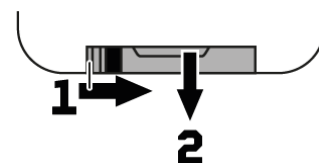
Seleccione uno de los colores estáticos.

1. Presione el número <1> a <9> para seleccionar un color estático.
2. Presione <+> o <-> para aumentar o disminuir el brillo.



ATENCIÓN! Para prevenir la descarga durante el transporte, una hoja aislante esta insertada entre la batería y los contactos. Antes de poner en marcha el aparato por primera vez, retire esta hoja aislante de la parte trasera del mando. En caso contrario el mando no funcionara.

Si el rango de actuación del mando disminuye, cambie la pila por una nueva. Para hacer esto, pulse la pequeña barra de la trasera del mando y desplace a la derecha y retire la pila de su soporte (2). El mando utiliza pilas 3 V de tipo botón.



FUNCIÓN TEMPORIZADOR

El aparato incorpora software con función de temporizador. Puede ejecutar presets pre programados, modificando así el color o el programa en determinado momento.

PASO 1 Ajuste el nivel de apagado de la batería entre 5-10%

- Presione **MENU**
- Seleccione **SETTINGS**, presione enter.
- Seleccione **GENERAL**, presione enter.
- Seleccione **POWER OFF BATT**, presione enter.
- Seleccione el porcentaje entre 5 y 10% con los botones arriba y abajo.
- Presione **ENTER** para confirmar.

PASO 2 Ajuste la fecha y hora correcta

- Presione **MENU**
- Seleccione **SETTINGS**, presione enter.
- Seleccione **DATE/TIME**, presione enter.
- Seleccione el año con los botones Arriba/Abajo, presione Enter para seleccionar el mes con los botones Arriba/Abajo, presione Enter para seleccionar el día con los botones Arriba/Abajo.
- Pulse **ENTER** para confirmar.
- Seleccione **TIME**, pulse intro.
- Seleccione las horas con los botones Arriba/Abajo, pulse enter para seleccionar los minutos con los botones Arriba/Abajo, pulse enter para seleccionar los segundos con los botones Arriba/Abajo.
- Traducción realizada con la versión gratuita del traductor www.DeepL.com/Translator Presione **ENTER** para confirmar.

PASO 3 Ajuste el tiempo de encendido automático

- Presione **MENU**
- Seleccione **SETTINGS**, presione enter.
- Seleccione **DATE/TIME**, presione enter.
- Seleccione **POWER ON**, presione enter.

- Seleccione las horas con los botones Arriba/Abajo, pulse enter para seleccionar los minutos con los botones Arriba/Abajo, pulse enter para seleccionar los segundos con los botones Arriba/Abajo.
- Presione **ENTER** para confirmar.

PASO 4 Ajuste el tiempo de apagado automático

- Presione **MENU**
- Seleccione **SETTINGS**, presione enter.
- Seleccione **DATE/TIME**, presione enter.
- Seleccione **POWER OFF**, presione enter.
- Seleccione las horas con los botones Arriba/Abajo, pulse enter para seleccionar los minutos con los botones Arriba/Abajo, pulse enter para seleccionar los segundos con los botones Arriba/Abajo.
- Presione **ENTER** para confirmar.

PASO 5 Seleccione un programa preajustado, color o secuencia

- Presione **MENU**
- Seleccione **SETTINGS**, presione enter.
- Seleccione **GENERAL**, presione enter.
- Seleccione **POWER UP**, presione enter.
- Seleccione uno de los programas de preselección, color o persecución que desee tan pronto como se inicie la unidad.
- Presione **ENTER** para confirmar.

DMX INALÁMBRICO

Este luminaria tiene una transmisión DMX inalámbrica a bordo que opera en una banda de frecuencia de 2.4Ghz. El aparato actúa como un receptor y necesita un transmisor (artículo 154.077 Transmisor DMX Inalámbrico BPP).

DMX UNIVERSO	COLOR	DMX CANALES
1	Rojo	1 - 512
2	Verde	1 - 512
3	Amarillo	1 - 512
4	Azul	1 - 512
5	Magenta	1 - 512
6	Cyan	1 - 512
7	Blanco	1 - 512

PROTECCION CLASE IP65

Las unidades con protección clase IP65 son resistentes al polvo y completamente protegidas contra contacto (según primer número de código). También están protegidas contra las salpicaduras de agua desde cualquier ángulo (segundo dígito del código). Por este motivo, la unidad puede usarse en exteriores. Las unidades para eventos están diseñadas generalmente para usos esporádicos y no para su instalación permanente en exterior. Los índices de protección no tienen relación con la resistencia a inclemencias (en condiciones de tiempo cambiante así como en resistencia a los rayos del sol y UV). Las conexiones selladas y los tornillos deben ser comprobados regularmente para asegurar que no se producen fallos de operación.

MANTENIMIENTO

Esta unidad está prácticamente libre de mantenimiento, pero es necesario comprobar regularmente algunos aspectos mecánicos y eléctricos.

Asegure el ambiente de trabajo y establezca e inspeccione una pauta de limpieza con los siguientes parámetros:

- Desconecte la unidad de la toma de corriente y espere a que esté totalmente fría.
- Compruebe que los tornillos utilizados para su instalación estén seguros y libres de óxido.
- Compruebe la carcasa y puntos de anclaje que no deben presentar deformación ni fatiga.
- Compruebe las partes mecánicas móviles que no deben mostrar signos de fatiga ni desgaste.
- Compruebe las conexiones eléctricas y de señal que no deben mostrar daños ni fatiga.
- No use productos disolventes, abrasivos o agresivos para la limpieza exterior.
- Limpie las partes de cristal con un paño limpio, suave y sin filamentos con una solución neutra de limpieza. Coloque el líquido en el paño, nunca directamente en la superficie a limpiar. Evite mojar las partes gomosas.
- Seque la unidad, los conectores y contactos con un paño seco y limpio o con un compresor de aire de baja presión, antes de volver a conectar la unidad.

SOLUCIÓN DE PROBLEMAS

La siguiente lista de verificación puede ayudarle a resolver problemas en el caso de que ocurra un fallo al utilizar el producto:

SÍNTOMA	POSIBLE CAUSA	ACCIÓN SUGERIDA
No hay respuesta del aparato.	No llega alimentación. Fusible quemado o fallo interno.	Compruebe que la alimentación esté encendida. Comprobar cables y conexiones. Reemplace el fusible o póngase en contacto con el servicio técnico de Beamz o con un servicio autorizado de Beamz. No quite las cubiertas de la base. No intente reemplazar un fusible ni realizar reparaciones o reparaciones que no se describen en este Manual del usuario, a menos que cuente con la autorización del servicio técnico de Beamz o de un servicio autorizado de Beamz.
El aparato se reinicia correctamente pero no responde (o no responde correctamente) al controlador.	El controlador no está conectado. Mala línea DMX. La línea DMX no tiene resistencia final. Direccionamiento incorrecto del aparato. Un aparato está defectuoso y está alterando la transmisión de datos en la línea DMX. Pin 2 y 3 están invertidos en la conexión XLR.	Conecte el controlador. Inspeccionar conexiones y cables. Corregir conexiones malas. Repare o reemplace los cables dañados. Inserte el conector del terminador DMX en el zócalo de salida de datos del último dispositivo en la línea DMX. Verifique la dirección del aparato y la configuración del modo DMX. Desenchufe los conectores DMX IN y OUT y conéctelos directamente para evitar un dispositivo a la vez hasta que se recupere el funcionamiento normal. Haga reparar el artefacto defectuoso por un técnico autorizado. Inspeccionar conexiones y cables. Instale un cable de inversión de fase entre los dispositivos o intercambie los pines 2 y 3 en el dispositivo, que se comporta de forma errática.
Error después del reinicio del aparato.	El efecto requiere ajuste mecánico.	Verifique la versión del software del aparato y los mensajes de error para obtener más información. Póngase en contacto con el servicio de asistencia de Beamz o con un servicio autorizado de Beamz.
La salida de luz se corta intermitentemente.	El aparato está muy caliente. LEDs dañados. La configuración de la fuente de alimentación no coincide con la tensión de CA local y frecuencia.	Permita que el accesorio se enfríe. Reducir la temperatura ambiente. Asegure el flujo de aire libre alrededor del accesorio. Limpie el accesorio si es necesario. Desconecte el accesorio y póngase en contacto con el servicio técnico de Beamz Desconecte el accesorio. Compruebe la configuración y corregir si es necesario.

INSTRUCTIONS DE SECURITE



AVERTISSEMENT! Avant d'effectuer toute manipulation sur l'appareil, lisez avec attention la présente notice et conservez-la pour pouvoir vous y reporter ultérieurement. Elle contient des informations importantes sur l'installation, l'utilisation et l'entretien de l'appareil.

- Déballez l'appareil, vérifiez soigneusement qu'il n'y a pas de dommages dus au transport avant de l'utiliser.
- Veuillez lire attentivement ces instructions et les suivre.
- Respectez tous les avertissements de sécurité. Ne retirez jamais les avertissements de sécurité ou autres informations figurant sur l'appareil.
- Assurez-vous qu'aucune ouïe d'aération n'est obstruée, sinon il y a risque de surchauffe de l'appareil.



AVERTISSEMENT! Avant de brancher l'appareil à une prise d'alimentation, assurez-vous tout d'abord que la tension et la fréquence du secteur correspondent aux valeurs spécifiées sur l'appareil. S'il est équipé d'un sélecteur de tension, ne branchez l'appareil à la prise de courant que si les valeurs de l'appareil et celles de l'alimentation secteur correspondent. Si le cordon d'alimentation ou l'adaptateur secteur fourni ne s'adapte pas à votre prise murale, contactez votre électricien.

- Après avoir branché l'appareil, vérifiez tous les câbles afin d'éviter tout dommage ou accident, par exemple pour ne pas trébucher.
- Assurez-vous que le cordon d'alimentation n'est jamais serti ou endommagé. Vérifiez régulièrement l'appareil et le cordon d'alimentation.
- Débranchez toujours le cordon d'alimentation du secteur lorsque l'appareil n'est pas utilisé ou avant de le nettoyer ! Ne manipulez le cordon d'alimentation que par la fiche. Ne débranchez jamais la fiche en tirant sur le cordon d'alimentation.
- Débranchez le cordon d'alimentation et l'adaptateur secteur de la prise de courant s'il y a un risque de foudre ou avant une longue période d'inutilisation.
- N'allumez et n'éteignez pas l'appareil à intervalles rapprochés.
- Ne connectez pas l'appareil à un gradateur.
- Installez l'appareil dans un endroit bien ventilé.
- Ne placez jamais de matériau sur l'objectif.
- Ne laissez jamais la lumière du soleil s'allumer directement sur l'objectif, même lorsque l'appareil ne fonctionne pas.
- Laissez toujours un espace libre de 50 cm au moins autour de l'appareil pour assurer une ventilation correcte.
- Veillez à ce que la zone située sous le lieu de montage soit toujours inaccessible au public lors de l'installation ou de l'entretien de l'appareil.
- Pour une hauteur de montage >100 cm, fixez toujours l'appareil avec une élingue de sécurité idoine. Fixez l'élingue uniquement aux points de fixation. L'élingue de sécurité ne doit jamais être fixée aux poignées de transport!
- Ne regardez jamais directement le faisceau lumineux. Gardez présent à l'esprit que des changements rapides de lumière, par exemple une lumière clignotante, peuvent déclencher des crises d'épilepsie chez les personnes photosensibles ou épileptiques.
- Cet appareil n'est pas conçu pour fonctionner en permanence. Des pauses d'utilisation régulières assureront un fonctionnement sans problème sur le long terme.



AVERTISSEMENT! Si le cordon d'alimentation de l'appareil est équipé d'un contact de mise à la terre, il doit être connecté à une prise de courant avec une terre de protection. Ne jamais désactiver la terre de protection d'un cordon d'alimentation.

- Assurez-vous que l'appareil n'est pas exposé à une chaleur extrême, à l'humidité ou à la poussière.
- Nettoyez l'appareil à l'aide d'un chiffon sec.
- Ne touchez pas le projecteur à mains nues pendant son fonctionnement (le boîtier devient très chaud). Laissez le projecteur refroidir pendant 5 minutes au moins avant de le manipuler.
- Cet appareil est conçu exclusivement pour une utilisation à l'intérieur, n'utilisez pas cet appareil à proximité immédiate d'un liquide (ne s'applique pas aux équipements extérieurs spéciaux - dans ce cas, respectez les instructions spéciales indiquées ci-dessous). N'exposez pas cet appareil à des matériaux, liquides ou gaz inflammables.
- Si l'appareil a été exposé à des variations de température importantes (par ex. après un transport), ne l'allumez pas immédiatement. La condensation pourrait endommager votre appareil. Laissez l'appareil éteint jusqu'à ce qu'il atteigne la température ambiante.
- N'essayez jamais de bridger l'interrupteur thermostatique ou les fusibles.
- Ne démontez pas ou ne modifiez pas l'appareil.
- Pour le remplacement, utilisez uniquement des fusibles/ampoules de même type et de même puissance.
- Les réparations, l'entretien et le raccordement électrique ne doivent être effectués que par un technicien qualifié.
- La température ambiante doit toujours être comprise entre 0°C et +40°C.
- Si cet appareil est utilisé dans un but autre que celui décrit dans ce manuel, il peut subir des dommages, dans ce cas, la garantie est caduque.
- Les sacs en plastique doivent être gardés hors de portée des enfants.
- L'appareil doit être installé hors de portée des enfants. Ne laissez jamais l'appareil en marche sans surveillance.



Ce symbole sur le produit ou sur son emballage indique que ce produit ne doit pas être traité comme un déchet ménager. Il doit être déposé au point de collecte approprié pour le recyclage des équipements électriques et électroniques.

En vous assurant que ce produit est éliminé correctement, vous contribuerez à prévenir les conséquences négatives potentielles pour l'environnement et la santé humaine, qui pourraient autrement être causées par une manipulation inappropriée des déchets de ce produit. Le recyclage des matériaux contribuera à préserver les ressources naturelles. Pour de plus amples informations sur le recyclage de ce produit, veuillez contacter votre bureau municipal local, votre service d'élimination des déchets ménagers ou le magasin où vous avez acheté le produit.

INSTRUCTIONS DE DEBALLAGE

ATTENTION! Dès réception du produit, déballez soigneusement le carton, vérifiez son contenu pour vous assurer que toutes les pièces sont présentes et qu'elles ont été reçues en bon état. Avisez immédiatement l'expéditeur et conservez le matériel d'emballage ; contrôlez si des pièces semblent endommagées lors de l'expédition ou si le colis lui-même montre des signes de mauvaise manipulation. Conservez l'emballage et tout le matériel d'emballage. Dans le cas où le produit doit être retourné à l'usine, il est important que le produit soit retourné dans son emballage d'origine.

Si l'appareil a été exposé à des variations de température importantes (par ex. après un transport), ne l'allumez pas immédiatement. La condensation pourrait endommager votre appareil. Laissez l'appareil éteint jusqu'à ce qu'il atteigne la température ambiante.

ALIMENTATION

Le type d'alimentation auquel le produit doit être connecté est indiqué sur l'étiquette à l'arrière du produit. Vérifiez que la tension secteur corresponde à cette tension, toutes les autres tensions que celles spécifiées peuvent endommager l'appareil. Le produit doit également être branché directement sur le secteur et peut être utilisé. Pas de gradateur ni d'alimentation réglable.

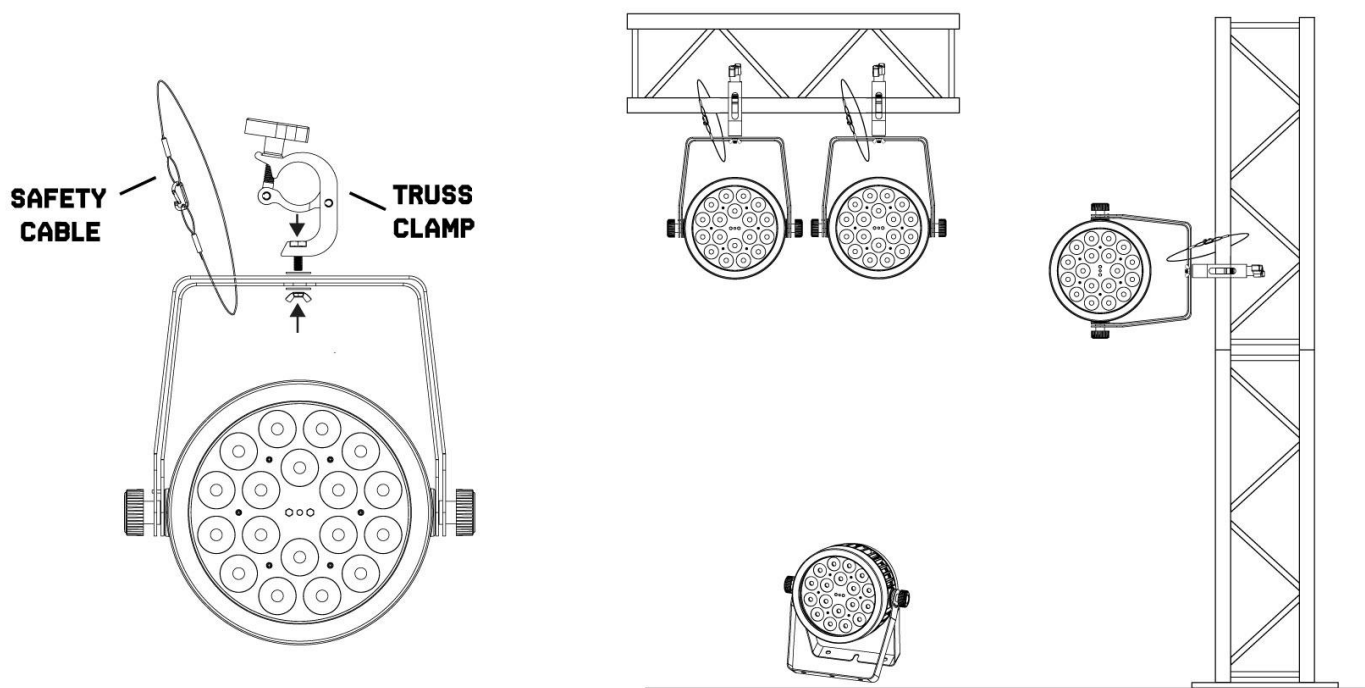
L'appareil est équipé d'un connecteur de sortie d'alimentation. En fonction des conditions locales, plusieurs appareils peuvent être reliés entre eux par l'entrée et la sortie du bloc d'alimentation. Connectez un maximum de quatre unités (si vous utilisez une tension de 230V/16A) à la suite. Utilisez un câble trois conducteurs homologué avec une section de 1,5 mm² au moins. Respectez les instructions de montage du fabricant et le code couleur du câble. N'éteignez pas l'appareil en retirant le cordon d'alimentation, mais utilisez l'interrupteur marche/arrêt ou schuko !

AVERTISSEMENT! Reliez toujours l'appareil à un circuit protégé (disjoncteur ou fusible). Assurez-vous que l'appareil dispose d'une mise à la terre électrique appropriée pour éviter tout risque d'électrocution ou d'incendie.

FIXATION

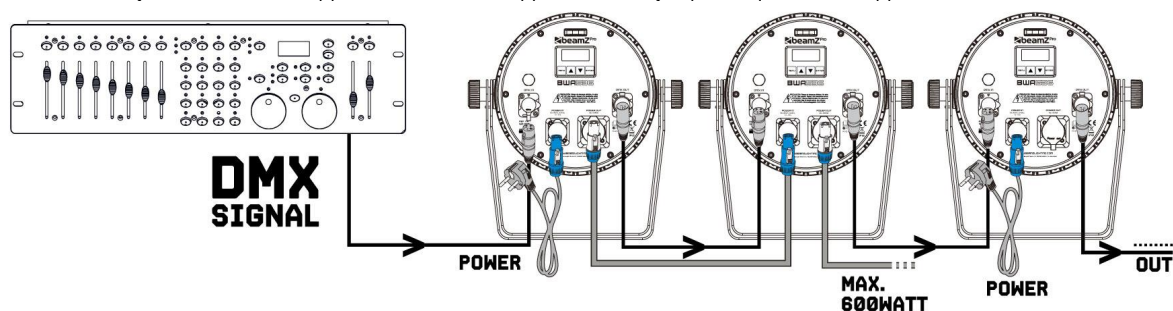
L'appareil peut être installé sur une surface stable et plane. Grâce aux possibilités de fixation de la plaque de base, l'appareil peut également être monté à l'envers sur une poutrette, voir photo ci-dessous. Pour la fixation, il est nécessaire d'utiliser des colliers de serrage certifiés avec une capacité de charge correspondante. Comme indiqué sur le schéma, les boulons de verrouillage rapide des supports oméga sont placés dans les ouvertures prévues à cet effet dans la plaque de base et tournés dans le sens des aiguilles d'une montre jusqu'à leur blocage (jusqu'à la butée). L'emplacement de montage doit être suffisamment stable et pouvoir supporter un poids égal à 10 fois le poids de l'appareil. Fixez l'appareil à l'aide d'une élingue de sécurité afin qu'il ne puisse pas tomber.

Lors de toute installation, respectez toujours les directives européennes et nationales concernant l'accrochage des produits, les structures et toutes les autres questions de sécurité. Faites toujours vérifier l'installation par un revendeur agréé !

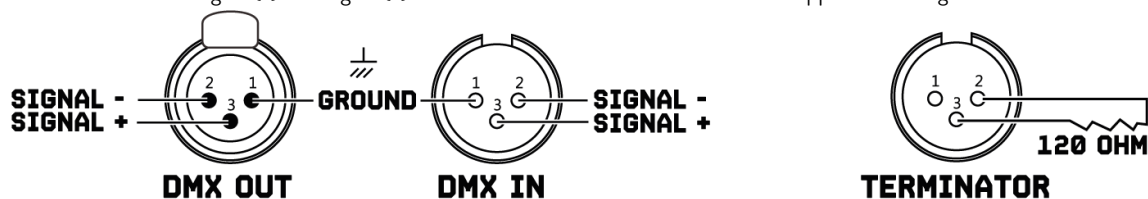


GESTION DMX512

Si vous utilisez un contrôleur DMX standard, vous pouvez connecter la sortie DMX du contrôleur directement à l'entrée DMX du premier appareil dans une chaîne DMX. Connectez toujours la sortie d'un appareil à l'entrée de l'appareil suivant jusqu'à ce que tous les appareils soient connectés entre eux.



ATTENTION! sur le dernier appareil, vous devez terminer la ligne DMX avec une résistance. Prenez un connecteur XLR et soudez une résistance de 120 ohms entre le signal (-) et le signal (+) et connectez-la à la sortie DMX du dernier appareil sur la ligne.



POWER SWITCH

ALLUMER OU ETEINDRE

Appuyez brièvement sur le bouton **POWER ON/OFF** pour allumer le projecteur. Pour éteindre le projecteur, appuyez plus longuement sur le bouton **POWER ON/OFF**. Dès que la LED verte commence à clignoter, relâchez le bouton **POWER ON/OFF**.

DMX UNIVERSE

Dès que le projecteur a démarré, vous pouvez passer d'un univers DMX à l'autre en appuyant brièvement sur **POWER ON/OFF**.

FACTORY SETTINGS

Pour rétablir les paramètres d'usine, appuyez sur le bouton **POWER ON/OFF** pendant 30 secondes.

TELECOMMANDE

MODO BLACKOUT

Presione <BLACKOUT> para borrar la configuración del control remoto y apagar las luces

AUTO

1. Pulse <AUTO> para activar el efecto de salto de color.
2. Pulse <BLACKOUT> para desactivar el efecto de salto de color.

SOUND

1. Pulse <SOUND> para activar el modo activo por sonido.
2. Pulse <BLACKOUT> para desactivar el modo activo por sonido.

SENSITIVE

1. Pulse <SENSITIVE> en el control remoto.
2. Presione <+> o <-> para ajustar la sensibilidad del sonido.

SPEED

Ajuste de la velocidad de los efectos de salto/desvanecimiento/plus de color

1. Presione <SPEED> en el control remoto.
2. Pulse <+> o <-> para ajustar la velocidad de los efectos de color

STROBE

1. Presione <STROBE> en el control remoto.
2. Presione <+> o <-> para aumentar o disminuir la velocidad del programa.
3. Presione <STROBE> para apagar la luz estroboscópica.

%

1. Pulse <%> para activar el efecto color plus.
2. Pulse <BLACKOUT> para desactivar el efecto de color plus.

FADE

1. Presione <FADE> para habilitar el efecto de desvanecimiento del color.
2. Pulse <BLACKOUT> para desactivar el efecto de desvanecimiento de color.

MANUAL

Presione <MANUAL> para activar los colores preestablecidos, hay dos modos:

Moda A:

Primero presione el botón <MANUAL>, luego presione <R>, <G>, , <W>, <A> o <UV> (rojo, verde, azul, blanco, ámbar, UV) para seleccionar un color elegir.

Presione la primera vez, es 20% de brillo;

Presione la segunda vez, es 40% de brillo;

Presione la tercera vez, es 60% de brillo;

Presione la cuarta vez, es 80% de brillo;

Presione la quinta vez, es 100% de brillo

MODO B:

Presione el botón <MANUAL> nuevamente, luego presione <R>, <G>, , <W>, <A> o <UV> (rojo, verde, azul, blanco, ámbar, UV) para seleccionar su elige el color deseado;

Presione <+> o <-> para aumentar o disminuir el brillo.

NÚMERO 0~9

1. Presione los números <0> a <9> para elegir el modo de color predeterminado
2. Presione <+> o <-> para aumentar o disminuir el brillo.
3. Presione <BLACKOUT> para apagar el color predeterminado seleccionado.



ATTENTION! La télécommande est livrée avec une batterie. Une feuille de protection placée entre la batterie et les contacts évite que la batterie ne se décharge pendant le stockage. Avant la première utilisation, retirez la feuille de protection du support de batterie sur la face arrière de la télécommande. Sinon, la télécommande ne peut pas fonctionner.

Si la portée de la télécommande diminue, remplacez la batterie. Sur la face arrière de la télécommande, appuyez sur la petite languette avec la fente vers la droite (1) et simultanément, retirez le support de batterie (2). Une pile bouton 3 V, type CR2025 est nécessaire. Veillez à respecter la polarité, pôle plus de la pile bouton vers le haut.

FONCTION TIMER

L'appareil dispose d'une fonction Timer intégrée ; il peut montrer les preset, couleur, chase préprogrammés à certaines heures et dates.

ETAPE 1 Réglez le niveau de coupure de la batterie entre 5 et 10%

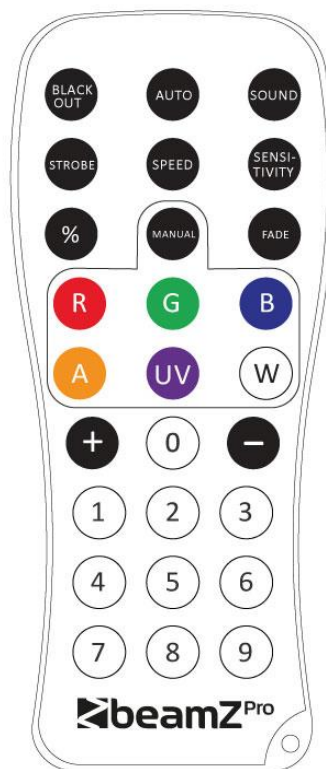
- Appuyez sur **MENU**
- Sélectionnez **SETTINGS**, appuyez sur **ENTER**.
- Sélectionnez **GENERAL**, appuyez sur **ENTER**.
- Sélectionnez **POWER OFF BATT**, appuyez sur **ENTER**.
- Sélectionnez le pourcentage entre 5 et 10% avec les touches flèche UP et Down.
- Appuyez sur **ENTER** pour confirmer.

ETAPE 2 Sélectionner la date en cours et l'heure.

- Appuyez sur **MENU**
- Sélectionnez **SETTINGS**, appuyez sur **ENTER**.
- Sélectionnez **DATE/TIME**, appuyez sur **ENTER**.
- Sélectionnez **POWER ON**, appuyez sur **ENTER**.
- Sélectionnez l'année à l'aide des boutons Haut/Bas, appuyez sur Entrée pour sélectionner le mois à l'aide des boutons Haut/Bas, appuyez sur Entrée pour sélectionner le jour à l'aide des boutons Haut/Bas.
- Appuyez sur **ENTER** pour confirmer.
- Sélectionnez **HEURE**, appuyez sur Entrée.
- Sélectionnez les heures à l'aide des boutons Haut/Bas, appuyez sur Entrée pour sélectionner les minutes à l'aide des boutons Haut/Bas, appuyez sur Entrée pour sélectionner les secondes à l'aide des boutons Haut/Bas.
- Appuyez sur **ENTER** pour confirmer.

ETAPE 3 Régler l'horaire d'allumage automatique

- Appuyez sur **MENU**
- Sélectionnez **SETTINGS**, appuyez sur **ENTER**.
- Sélectionnez **DATE/TIME**, appuyez sur **ENTER**.
- Sélectionnez **POWER ON**, appuyez sur **ENTER**.



- Avec les touches Up et Down, sélectionnez les heures, appuyez sur **ENTER** pour sélectionner les minutes avec les touches Up et Down, appuyez sur **ENTER** pour sélectionner les secondes avec les touches Up et Down.
- Appuyez sur **ENTER** pour confirmer.

ETAPE 4 Régler l'horaire d'arrêt automatique

- Appuyez sur **MENU**
- Sélectionnez **SETTINGS**, appuyez sur **ENTER**.
- Sélectionnez **DATE/TIME**, appuyez sur **ENTER**.
- Sélectionnez **POWER OFF**, appuyez sur **ENTER**.
- Avec les touches Up et Down, sélectionnez les heures, appuyez sur **ENTER** pour sélectionner les minutes avec les touches Up et Down, appuyez sur **ENTER** pour sélectionner les secondes avec les touches Up et Down.
- Appuyez sur **ENTER** pour confirmer.

ETAPE 5 Sélectionnez le programme Preset, Couleur ou Chase.

- Appuyez sur **MENU**
- Sélectionnez **SETTINGS**, appuyez sur **ENTER**.
- Sélectionnez **GENERAL**, appuyez sur **ENTER**.
- Sélectionnez **POWER UP**, appuyez sur **ENTER**.
- Sélectionnez un des programmes Preset, Couleur ou Chase dès que l'appareil démarre.
- Appuyez sur **ENTER** pour confirmer.

DMX SANS FIL

Ce projecteur est équipé d'une transmission DMX sans fil qui fonctionne sur la bande de fréquence 2.4Ghz. Le projecteur agit comme un récepteur et nécessite un émetteur (article 154.077 BPP Wireless DMX Transmitter).

DMX UNIVERSE	COULEUR	DMX CANAUX
1	Rouge	1 - 512
2	Vert	1 - 512
3	Jaune	1 - 512
4	Bleu	1 - 512
5	Magenta	1 - 512
6	Cyan	1 - 512
7	Blanc	1 - 512

CLASSE DE PROTECTION IP65

Les appareils avec indice de protection IP65 sont étanches à la poussière et complètement protégés contre les contacts (premier numéro de code). Ils sont également protégés contre les éclaboussures sous n'importe quel angle (deuxième chiffre du code). C'est pourquoi ce projecteur peut également être utilisé à l'extérieur. Les projecteurs sont généralement conçus pour une utilisation temporaire (éclairage d'événements) et non pour une utilisation permanente à l'extérieur. La classe de protection spécifiée ne concerne pas la résistance aux intempéries des projecteurs (résistance aux variations des conditions ambiantes ainsi qu'aux effets de la lumière du soleil et des rayons UV). Les joints d'étanchéité et les raccords vissés des projecteurs doivent être contrôlés régulièrement afin de garantir un fonctionnement irréprochable.

ENTRETIEN

Évaluez l'environnement d'exploitation et établissez un calendrier d'inspection et de nettoyage suivants les points ci-dessous :

- Débranchez le projecteur de l'alimentation électrique et laissez-le refroidir complètement avant de l'inspecter et de le nettoyer.
- Vérifiez que les vis et les boulons utilisés pour installer le projecteur sont bien serrés et ne présentent pas de trace de corrosion.
- Contrôlez le boîtier, les points de fixation et les points de montage, ils ne doivent présenter aucun signe de déformation, d'usure ou de fatigue.
- Contrôlez les pièces mécaniques en mouvement, celles-ci ne doivent présenter aucun signe d'usure ou de fatigue.
- Vérifiez les câbles d'alimentation électrique et de signal, ils ne doivent présenter aucun dommage ou fatigue.
- N'utilisez pas de solvants, d'abrasifs ou d'autres produits agressifs pour nettoyer l'appareil.
- Essuyez le projecteur et nettoyez la plaque de verre avec un chiffon doux, propre et non pelucheux imbibé d'une faible solution de nettoyage. Posez la solution sur le chiffon et non sur la surface à nettoyer. Évitez de frotter les surfaces vitrées.
- Séchez le projecteur, les connecteurs et les contacts avec un chiffon doux, propre, non pelucheux ou de l'air comprimé basse pression avant de remettre le projecteur sous tension.

RESOLUTION DE PROBLEMES

La liste ci-dessous peut vous aider en cas de problèmes lors de l'utilisation du produit.

SYMPTOME	CAUSE POSSIBLE	ACTION SUGGEREE
Pas de réponse de l'appareil.	L'appareil n'est pas alimenté. Le fusible a fondu ou problème interne.	Vérifiez que l'appareil est sous tension. Vérifiez les câbles et branchements. Remplacer le fusible moyen ou contacter le support Beamz ou un partenaire de service agréé Beamz. N'enlevez pas les couvercles de la base. N'essayez pas de remplacer un fusible ou d'effectuer des réparations ou un entretien qui ne sont pas décrits dans ce manuel d'utilisation à moins d'avoir l'autorisation du support Beamz ou du service autorisé Beamz.
L'appareil se réinitialise correctement mais ne répond pas (ou ne répond pas correctement) au contrôleur.	Le contrôleur DMX n'est pas relié. Mauvaise ligne DMX. La ligne DMX n'a pas de résistance terminale. Mauvais adressage de l'appareil. Un appareil est défectueux et perturbe la transmission des données dans la ligne DMX. Les pins 2 et 3 sont inversés dans la connexion XLR.	Reliez le contrôleur. Vérifiez les branchements et les câbles. Réparez ou remplacez les câbles défectueux. Insérez un bouchon DMX dans la prise de sortie DMX sur le dernier appareil de la ligne DMX. Vérifiez l'adresse de l'appareil et les réglages DMX. Débranchez les connecteurs DMX IN et OUT et reliez-les directement ensemble pour bridger un appareil à la fois jusqu'à ce que le fonctionnement soit rétabli. Faites appel à un technicien qualifié pour réparer l'appareil. Vérifiez les câbles et branchements. Installez un câble inversion de phase entre les appareils ou remplacez les broches 2 et 3 dans l'appareil qui se comporte de manière erratique.
Erreur après réinitialisation.	L'effet nécessite un réglage mécanique.	Vérifiez la version du logiciel de l'appareil et les messages d'erreur pour plus d'informations. Contacter le service après-vente Beamz ou un partenaire de service agréé Beamz.
Le flux lumineux coupe de manière intermittente.	L'appareil est trop chaud. Les LEDs sont endommagées. Les réglages de l'alimentation ne correspondent pas à la tension AC et à la fréquence locales.	Laisser refroidir l'appareil. Réduire la température ambiante. Veillez à ce que l'air circule librement autour de l'appareil. Nettoyer l'appareil si nécessaire. Débrancher l'appareil et contacter le service après-vente Beamz ou un partenaire agréé Beamz.. Débranchez l'appareil. Vérifiez les réglages et corrigez si besoin.

INSTRUKCJA BEZPIECZENSTWA



OSTRZEŻENIE! Przed przystąpieniem do jakichkolwiek czynności związanych z urządzeniem, należy uważnie przeczytać niniejszą instrukcję i zachować ją z lekarstwem na przyszłość. Zawiera ważne informacje dotyczące instalacji, użytkowania i konserwacji urządzenia.

- Rozpakuj i sprawdź dokładnie, czy nie ma żadnych uszkodzeń transportowych przed użyciem urządzenia
- Przeczytaj uważnie te instrukcje i postępuj zgodnie z instrukcjami.
- Przestrzegaj wszystkich ostrzeżeń dotyczących bezpieczeństwa.
- Upewnij się, że żadne otwory wentylacyjne nie są zablokowane; w przeciwnym razie urządzenie się przegrzeje.



OSTRZEŻENIE! Przed podłączeniem urządzenia do gniazdka sieciowego należy najpierw sprawdzić, czy napięcie i częstotliwość sieci są zgodne z wartościami podanymi na urządzeniu. Jeśli urządzenie ma przełącznik wyboru napięcia, podłącz urządzenie do gniazdka sieciowego tylko wtedy, gdy wartości urządzeń i wartości sieciowe są zgodne. Jeśli dołączony przewód zasilający lub zasilacz nie pasują do gniazdka ściennego, skontaktuj się z elektrykiem.

- Po podłączeniu urządzenia sprawdź wszystkie kable, aby zapobiec uszkodzeniom lub wypadkom, na przykład z powodu potknięć.
- Upewnij się, że przewód zasilający nie jest zaciśnięty ani uszkodzony. Od czasu do czasu sprawdzaj urządzenie i przewód zasilający.
- Zawsze odłączaj zasilanie z sieci, gdy urządzenie nie jest używane lub przed czyszczeniem! Obsługuj przewód zasilający tylko za wtyczkę. Nigdy nie wyciągaj wtyczki, ciągnąc za przewód zasilający.
- Odłącz przewód zasilający i zasilacz od gniazdka, jeśli istnieje ryzyko uderzenia pioruna lub przed dłuższymi przerwami w pracy.
- Nie włączaj i wyłączaj urządzenia w krótkich odstępach czasu.
- Nie podłączaj urządzenia do dimmerpada.
- Zainstaluj urządzenie w dobrze wentylowanym miejscu.
- Nigdy nie kłaść żadnych materiałów na obiektywie.
- Nigdy nie pozwól, aby światło słoneczne świeciło bezpośrednio na obiektywie, nawet jeśli urządzenie nie działa.
- Zawsze należy zapewnić swobodną przestrzeń powietrzną o wysokości co najmniej 50 cm wokół urządzenia w celu wentylacji.
- Upewnij się, że obszar pod miejscem instalacji jest zablokowany podczas montażu, opróżniania lub serwisowania urządzenia.
- W przypadku wysokości montażu > 100 cm zawsze należy zamocować urządzenie odpowiednią liną zabezpieczającą. Przymocuj linę zabezpieczającą tylko w poprawnych punktach mocowania. Linka zabezpieczająca nie może być nigdy zamocowana na uchwytych transportowych!
- Nigdy nie patrz bezpośrednio na wiązkę światła. Zwróć uwagę, że szybkie zmiany w oświetleniu, np. szybko migające światło, może wywoływać napady padaczkowe u osób światłoczułych lub z padaczką.
- To urządzenie nie jest przeznaczone do ciągłej pracy. Spójne przerwy w działaniu zapewnią, że urządzenie będzie służyć przez długi czas bez wad.



OSTRZEŻENIE! Jeśli przewód zasilający urządzenia jest wyposażony w styk uziemiający, należy go podłączyć do gniazda z uziemieniem ochronnym. Nigdy nie należy dezaktywować uziemienia ochronnego przewodu zasilającego.

- Upewnij się, że urządzenie nie jest narażone na działanie wysokich temperatur, wilgoci lub kurzu.
- Wyczyść urządzenie za pomocą suchej szmatki.
- Nie należy dotykać urządzenia gołymi rękoma podczas pracy (obudowa staje się bardzo gorąca). Odczekaj przynajmniej 5 minut, aż urządzenie ostygnie.
- To urządzenie jest przeznaczone wyłącznie do użytku w pomieszczeniach, nie należy używać tego sprzętu w bezpośrednim sąsiedztwie płynu (nie dotyczy specjalnych urządzeń zewnętrznych - w takim przypadku należy przestrzegać specjalnych instrukcji podanych poniżej). Nie należy wystawiać tego urządzenia na łatwopalne materiały, płyny lub gazy.
- Jeśli urządzenie zostało narażone na drastyczne wahania temperatury (np. Po transporcie), nie włączaj go natychmiast. Powstająca woda kondensacyjna może uszkodzić urządzenie. Pozostaw urządzenie wyłączone, aż osiągnie temperaturę pokojową.
- Nigdy nie próbuj ominąć przełącznika termostatycznego ani bezpieczników.
- Nie demontuj ani nie modyfikuj urządzenia.
- Do wymiany używać bezpieczników / żarówek tego samego typu i tylko tego samego typu.
- Naprawy, serwisowanie i podłączenie elektryczne muszą być wykonywane przez wykwalifikowanego technika.
- Temperatura otoczenia musi zawsze wynosić od 0°C do +40°C.
- Jeśli urządzenie jest eksploatowane w inny sposób niż opisany w niniejszej instrukcji, produkt może ulec uszkodzeniu, a gwarancja traci ważność.
- Plastikowe torby muszą być przechowywane w miejscu niedostępnym dla dzieci.
- Urządzenie musi być zainstalowane w miejscu niedostępnym dla dzieci. Nigdy nie pozostawiaj urządzenia bez nadzoru.



Ten symbol umieszczony na produkcie lub jego opakowaniu oznacza, że produkt ten nie może być traktowany jako odpad komunalny. Zamiast tego należy przekazać go do odpowiedniego punktu zbiórki w celu recyklingu sprzętu elektrycznego i elektronicznego.

Zapewniając prawidłową utylizację tego produktu, pomagasz zapobiegać potencjalnym negatywnym konsekwencjom dla środowiska i zdrowia ludzkiego, które mogłyby zostać spowodowane przez niewłaściwe postępowanie z odpadami tego produktu. Recykling materiałów pomoże chronić zasoby naturalne. Aby uzyskać bardziej szczegółowe informacje na temat recyklingu tego produktu, należy skontaktować się z lokalnym biurem obywatelskim, służbami oczyszczania miasta lub sklepem, w którym produkt został zakupiony.

ROZPAKOWYWANIE INSTRUKCJI



UWAGA! Natychmiast po otrzymaniu produktu ostrożnie rozpakuj karton, sprawdź zawartość, aby upewnić się, że wszystkie części są obecne i zostały odebrane w dobrym stanie. Natychmiast powiadomić dostawcę i zachować materiał do pakowania w celu sprawdzenia, czy jakkolwiek część wygląda na uszkodzoną przez przesyłkę lub samo opakowanie wykazuje oznaki niewłaściwego postępowania. Zapisz pakiet i wszystkie materiały do pakowania. W przypadku, gdy produkt musi zostać zwrócony do fabryki, ważne jest, aby produkt został zwrócony w oryginalnym opakowaniu fabrycznym i opakowaniu.

Jeśli urządzenie zostało wystawione na drastyczne wahania temperatury (np. Po transporcie), nie włączaj go natychmiast. Powstająca woda kondensacyjna może uszkodzić twoje urządzenie. Pozostaw urządzenie wyłączone, aż osiągnie temperaturę pokojową.

ZASILACZ

Na etykiecie z tyłu produktu jest wskazany jakiego typu zasilacz musi być podłączony. Sprawdź, czy napięcie w sieci jest właściwe do użytego zasilacza. Każde inne napięcie niż podane, może sprawić nieodwracalne uszkodzenie oświetlenia. Produkt musi być również bezpośrednio podłączony do sieci zasilającej i wtedy dopiero może być używany. Brak ściemniacza lub regulowany zasilacz.

Urządzenie ma wbudowane wyjście zasilania. W zależności od warunków w lokalu kilka urządzeń może być połączonych poprzez wejście i wyjście złącza zasilania. Podłącz w rzędzie maksymalnie cztery jednostki (jeśli używasz zasilania 230V/16A). Użyj zatwierdzonego, trzy-żyłowego kabla o przekroju co najmniej 1.5 mm². Należy przestrzegać instrukcji montażu producenta i oznaczenia kolorami kabla. Nie wyłączaj urządzenia poprzez odkręcanie złącza zasilania, ale użyj włącznika/wyłącznika zasilania lub schuko!

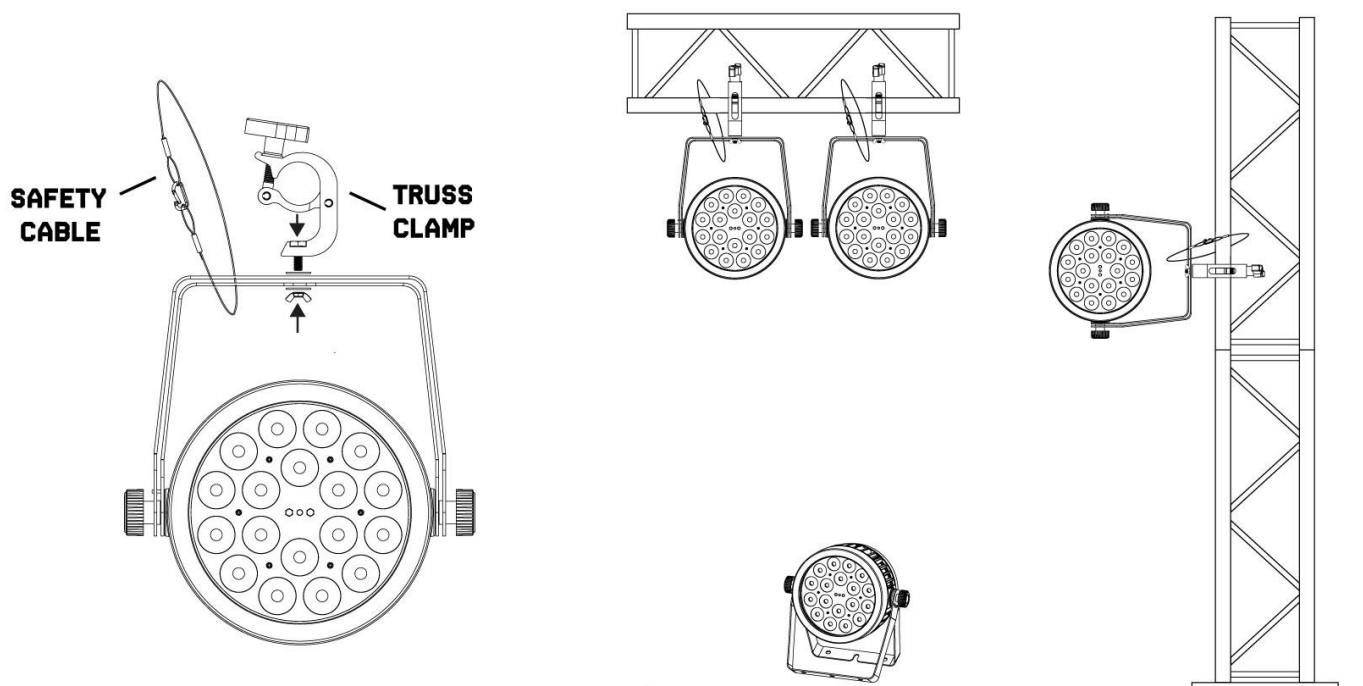


OSTRZEŻENIE! Zawsze podłączaj urządzenie do zabezpieczonego obwodu (wyłącznik lub bezpiecznik). Upewnij się, że urządzenie ma odpowiednie uziemienie elektryczne, aby uniknąć ryzyka porażenia prądem lub pożaru.

MOCOWANIE

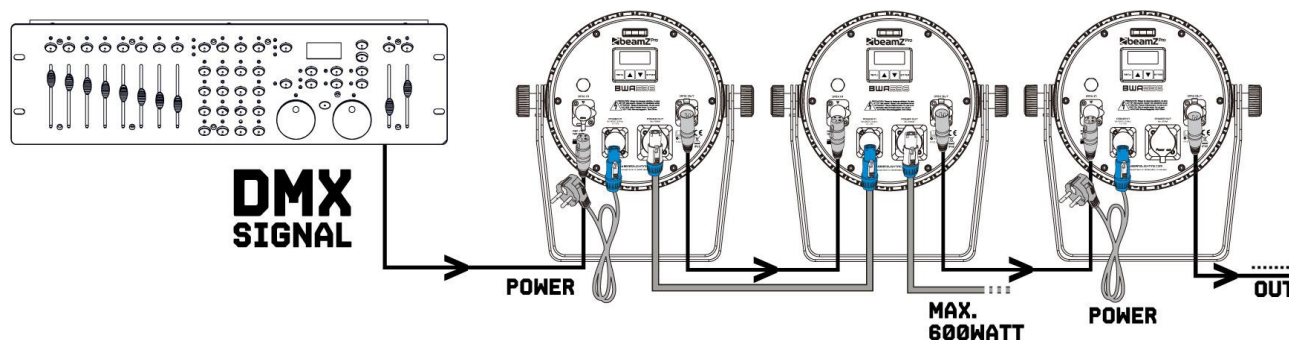
Oprawa powinna być ustawiona na stabilnej i równej powierzchni. Za pomocą elementów mocujących płyty podstawowej, urządzenie można również zamontować do góry nogami do kratownicy, patrz poniższy rysunek. Do zamocowania wymagane są certyfikowane zaciski o prawidłowym obciążeniu roboczym. Zgodnie z rysunkiem, śruby szybkiego blokowania wsporników omega są umieszczane w otworach przewidzianych w płycie podstawy i obracane zgodnie z ruchem wskazówek zegara aż do zablokowania (do zatrzymania). Miejsce montażu musi mieć wystarczającą stabilność i być w stanie utrzymać ciężar 10-krotności wagi urządzenia. Zabezpiecz urządzenie za pomocą linki zabezpieczającej, aby nie spadło.

Podczas wykonywania jakiegokolwiek instalacji należy zawsze przestrzegać europejskich i krajowych wytycznych dotyczących olinowania, wiązarów i wszystkich innych kwestii związanych z bezpieczeństwem. Zawsze pozwól, aby instalacja została sprawdzona przez autoryzowanego dealera!

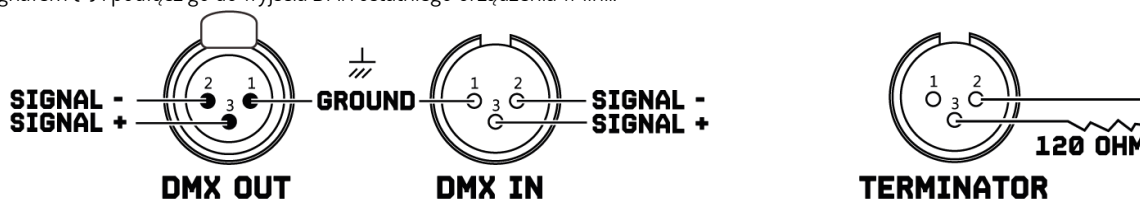


KONTROLA DMX512

Jeśli używasz standardowego kontrolera DMX, możesz podłączyć wyjście DMX kontrolera bezpośrednio do wejścia DMX pierwszego urządzenia w łańcuchu DMX. Zawsze podłącz wyjście jednego urządzenia do wejścia następnego urządzenia, aż wszystkie urządzenia zostaną podłączone.



UWAGA! Na ostatnim urządzeniu musisz mieć linię DMX z rezystorem końcowym. Weź złącze XLR i przylutuj rezystor 120 Ohm między sygnałem (-) a sygnałem (+) i podłącz go do wyjścia DMX ostatniego urządzenia w linii.



POWER SWITCH

WŁACZANIE LUB WYŁACZANIE

Naciśnij krótko przycisk **POWER ON/OFF**, aby włączyć urządzenie. Wyłączenie może być wykonane poprzez dłuższe przytrzymanie przycisku **POWER ON/OFF**. Jak tylko zielona dioda LED zacznie migać puść przycisk **POWER ON/OFF**.

DMX UNIVERSE

Jak tylko urządzenie zostanie uruchomione, możesz przełączać się pomiędzy wszechświatami DMX poprzez krótkie naciśnięcie **POWER ON/OFF**.

FACTORY SETTINGS

Aby przywrócić ustawienia fabryczne, naciśnij i przytrzymaj przez 30 sekund przycisk **POWER ON/OFF**.

PILOT ZDALNEGO STEROWANIA

BLACKOUT MODE

Naciśnij **<BLACKOUT>**, aby wyczyścić ustawienia pilota i wyłączyć światła

AUTO

1. Naciśnij **<AUTO>**, aby włączyć efekt przeskoków kolorów.
2. Naciśnij **<BLACKOUT>**, aby wyłączyć efekt przeskoków kolorów.

SOUND

1. Naciśnij przycisk **<SOUND>**, aby włączyć tryb aktywacji dźwiękiem.
2. Naciśnij **<BLACKOUT>**, aby wyłączyć tryb aktywacji dźwiękiem

SENSITIVITY

1. Naciśnij **<SENSITIVITY>** na pilocie.
2. Naciśnij **<+>** lub **<->**, aby dostosować czułość dźwięku.

SPEED

Regulacja szybkości przeskakiwania/zanikania kolorów/efektów plus

1. Naciśnij **<SPEED>** na pilocie.
2. Naciśnij **<+>** lub **<->**, aby dostosować szybkość efektów kolorystycznych

STROBE

1. Naciśnij **<STROBE>** na pilocie.
2. Naciśnij **<+>** lub **<->**, aby zwiększyć lub zmniejszyć szybkość programu.
3. Naciśnij **<STROBE>**, aby wyłączyć stroboskop.

%

1. Naciśnij **<%>**, aby włączyć efekt koloru plus.
2. Naciśnij **<BLACKOUT>**, aby wyłączyć efekt koloru plus.

FADE

1. Naciśnij <FADE>, aby włączyć efekt blaknięcia kolorów.
2. Naciśnij <BLACKOUT>, aby wyłączyć efekt zanikania kolorów.

PODRĘCZNIK

Naciśnij <MANUAL>, aby aktywować wstępnie ustawione kolory, dostępne są dwa tryby:

Moda A:

Najpierw naciśnij przycisk <MANUAL>, a następnie naciśnij <R>, <G>, , <W>, <A> lub <UV> (czerwony, zielony, niebieski, biały, bursztynowy, UV), aby wybrać kolor wybierając.

Naciśnij pierwszy raz, jest to 20% jasności

Naciśnij drugi raz, jest to 40% jasności

Naciśnij trzeci raz, jest to 60% jasności;

Naciśnij czwarty raz, jest to 80% jasności;

Naciśnij piąty raz, jest to 100% jasności

TRYB B:

Naciśnij ponownie przycisk <MANUAL>, a następnie naciśnij <R>, <G>, , <W>, <A> lub <UV> (czerwony, zielony, niebieski, biały, bursztynowy, UV), aby wybrać wybrany kolor;

Naciśnij <+> lub <->, aby zwiększyć lub zmniejszyć jasność.

NUMER 0-9

1. Naciśnij cyfry od <0> do <9>, aby wybrać wstępnie ustawiony tryb koloru
2. Naciśnij <+> lub <->, aby zwiększyć lub zmniejszyć jasność.
3. Naciśnij <BLACKOUT>, aby wyłączyć wybrany wstępnie ustawiony kolor.



UWAGA! Pilot zdalnego sterowania jest dostarczany wraz z baterią. Aby uniknąć rozładowywania baterii podczas magazynowania sprzętu, pomiędzy baterią a stykami pilota znajduje się folia. Przed pierwszym użyciem należy wyciągnąć folię znajdującą się na dole pilota.

Jeśli zasięg działania pilota spada, wymień baterię. W tym celu, z tyłu urządzenia, przesuwaj w prawo małą plastikową (1) oraz w tym czasie wyciągnij tackę baterii (2). Do używania pilota wymagana jest jedna bateria CR 2025 3V. Podczas wkładania baterii <+> powinien być na górze.

FUNKCJA TIMERA

Urządzenie ma wbudowaną funkcję timera. Urządzenie może wyświetlać zaprogramowane ustawienie wstępne, kolor lub przebieg w określonych godzinach i datach.

KROK 1 Ustaw poziom naładowania baterii między 5-10%

- Naciśnij **MENU**
- Wybierz **SETTINGS**, naciśnij enter.
- Wybierz **GENERAL**, naciśnij enter.
- Wybierz **POWER OFF BATT.**, naciśnij enter.
- Wybierz procent od 5 do 10% za pomocą przycisków w górę i w dół.
- Naciśnij **ENTER**, aby potwierdzić.

KROK 2 Ustaw bieżącą datę i godzinę

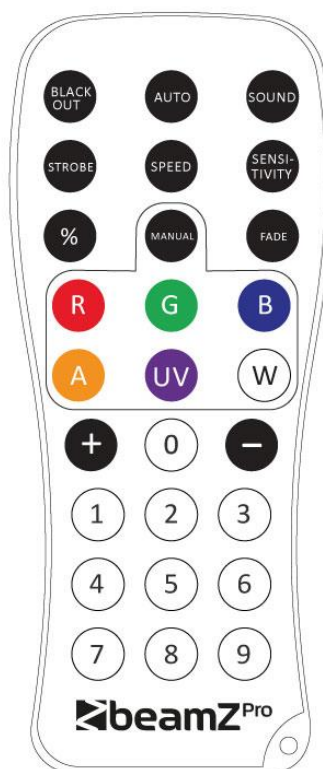
- Naciśnij **MENU**
- Wybierz **SETTINGS**, naciśnij enter.
- Wybierz **DATA/TIME**, naciśnij enter.
- Wybierz rok za pomocą przycisków Góra/Dół, naciśnij przycisk enter, aby wybrać miesiąc za pomocą przycisków Góra/Dół, naciśnij przycisk enter, aby wybrać dzień za pomocą przycisków Góra/Dół.
- Naciśnij **ENTER**, aby potwierdzić.
- Wybierz **CZAS**, naciśnij Enter.
- Wybierz godziny za pomocą przycisków Góra/Dół, naciśnij enter, aby wybrać minuty za pomocą przycisków Góra/Dół, naciśnij enter, aby wybrać sekundy za pomocą przycisków Góra/Dół.
- Naciśnij **ENTER**, aby potwierdzić

KROK 3 Ustaw czas automatycznego włączenia

- Naciśnij **MENU**
- Wybierz **SETTINGS**, naciśnij enter.
- Wybierz **DATA/TIME**, naciśnij enter.
- Wybierz **POWER ON**, naciśnij enter.
- Wybierz godziny za pomocą przycisków w górę / w dół, naciśnij enter, aby wybrać minuty za pomocą przycisków w górę / w dół, naciśnij enter, aby wybrać sekundy za pomocą przycisków w górę / w dół.
- Naciśnij **ENTER**, aby potwierdzić

KROK 4 Ustaw czas automatycznego wyłączenia

- Naciśnij **MENU**



- Wybierz **SETTINGS**, naciśnij enter.
- Wybierz **DATA/TIME**, naciśnij enter.
- Wybierz **POWER ON**, naciśnij enter.
- Wybierz godziny za pomocą przycisków w górę / w dół, naciśnij enter, aby wybrać minuty za pomocą przycisków w górę / w dół, naciśnij enter, aby wybrać sekundy za pomocą przycisków w górę / w dół.
- Naciśnij **ENTER**, aby potwierdzić

KROK 5 Wybierz program ustawień wstępnych, kolorów lub sekwencji.

- Naciśnij **MENU**
- Wybierz **SETTINGS**, naciśnij enter.
- Wybierz **GENERAL**, naciśnij enter.
- Wybierz **POWER ON**, naciśnij enter.
- Wybierz godziny za pomocą przycisków w górę / w dół, naciśnij enter, aby wybrać minuty za pomocą przycisków w górę / w dół, naciśnij enter, aby wybrać sekundy za pomocą przycisków w górę / w dół.
- Naciśnij **ENTER**, aby potwierdzić

BEZPRZEWODOWY DMX

Urządzenie posiada wbudowaną bezprzewodową transmisję DMX działającą w paśmie 2.4Ghz. Urządzenie działa jako odbiornik i wymaga nadajnika (pozycja 154.077 BPP Wireless DMX Transmitter).

DMX UNIVERSE	COLOUR	KANAŁY DMX
1	Czerwony	1 - 512
2	Zielony	1 - 512
3	Żółty	1 - 512
4	Niebieski	1 - 512
5	Magenta	1 - 512
6	Cyjan	1 - 512
7	Biały	1 - 512

KLASA OCHRONY IP65

Urządzenia z klasą ochrony IP65 są pyłoszczelne i całkowicie zabezpieczone przed kontaktem (pierwszy kod). Są również chronione przed wodą rozpryskową pod dowolnym kątem (druga cyfra kodu). Dlatego też to urządzenie może być używane na zewnątrz. Urządzenia są zazwyczaj przeznaczone tylko do użytku tymczasowego (oświetlenie wydarzeń), a nie do stałego użytku na zewnątrz. Określona klasa ochrony nie zawiera stwierdzenia o odporności na warunki pogodowe (odporność na zmieniające się warunki otoczenia, a także na działanie promieni słonecznych i promieni UV). Uszczelnienia i połączenia śrubowe urządzeń muszą być regularnie sprawdzane w celu zapewnienia bezawaryjnej pracy.

KONSERWACJA

Ta oprawa jest praktycznie bezobsługowa, ale powinieneś regularnie sprawdzać urządzenie pod kątem aspektów mechanicznych i elektrycznych.

Oceń środowisko pracy i ustal harmonogram inspekcji i czyszczenia zgodnie z poniższymi wytycznymi:

- Odłącz urządzenie od zasilania i pozwól mu całkowicie ostygnąć przed przystąpieniem do kontroli i czyszczenia.
- Sprawdź, czy wkręty i śruby użyte do montażu urządzenia są dobrze dokręcone i wolne od korozji.
- Sprawdzić obudowę, punkty mocowania i punkty instalacji, nie mogą wykazywać żadnych oznak deformacji, zużycia ani zmęczenia.
- Sprawdź mechanicznie poruszające się części, które nie mogą wykazywać oznak zużycia ani zmęczenia.
- Sprawdź kable zasilania elektrycznego i sygnałowego, nie mogą one wykazywać żadnych uszkodzeń ani zmęczenia.
- Do czyszczenia urządzenia nie należy używać rozpuszczalników, materiałów ściernych ani innych podobnych produktów.
- Przetrzyj urządzenie i wyczyść szklaną płytkę miękką, czystą, niepozostawiającą włókien ściereczką zwilżoną słabym roztworem czyszczącym. Umieść roztwór na szmatce, a nie na czyszczonej powierzchni. Unikaj pocierania szklanych powierzchni.
- Przed ponownym włączeniem urządzenia osusz urządzenie, złącza i styki miękką, czystą, niestrzępiącą się szmatką lub sprężonym powietrzem o niskim ciśnieniu.

ROZWIĄZYWANIE PROBLEMÓW

Poniższa lista kontrolna może pomóc w rozwiązaniu problemu w mało prawdopodobnym przypadku wystąpienia problemu podczas korzystania z produktu:

OBJAW	MOŻLIWA PRZYCZYNA	SUGEROWANE DZIAŁANIE
Brak odpowiedzi z urządzenia.	Brak zasilania urządzenia. Przepalony bezpiecznik lub błąd wewnętrzny.	Sprawdź, czy zasilanie jest włączone. Sprawdź kable i połączenia. Wymień średni bezpiecznik lub skontaktować się z pomocą techniczną Beamz lub autoryzowanym partnerem serwisowym Beamz. Nie zdejmuj osłon podstawy lub jarzma. Nie należy wymieniać bezpieczników ani przeprowadzać napraw lub usług, które nie są opisane w niniejszej instrukcji obsługi, chyba że posiadasz autoryzację od Beamz lub autoryzowanego partnera serwisowego Beamz.
Urządzenie resetuje się prawidłowo, ale nie reaguje (lub nie reaguje poprawnie) na kontroler.	Kontroler nie jest podłączony. Zła linia DMX. Linia DMX nie ma oporności końcowej. Niepoprawne adresowanie urządzeń. Urządzenie jest wadliwe i zakłóca transmisję danych na linii DMX. Pin 2 i 3 są odwrócone w połączeniu XLR.	Podłącz kontroler. Sprawdź połączenia i kable. Popraw nieprawidłowe połączenia. Napraw lub wymień uszkodzone kable. Włóż wtyczkę terminatora DMX do gniazda wyjścia danych ostatniego urządzenia na linii DMX. Sprawdź adres urządzenia i ustawienia trybu DMX. Odłącz złącza DMX IN i OUT i podłącz je bezpośrednio, aby ominąć jedno urządzenie naraz, aż do odzyskania normalnej pracy. Zleć wadliwe urządzenie serwisowe upoważnionemu technikowi. Sprawdź połączenia i kable. Zamontuj kabel zmiany fazy pomiędzy urządzeniami lub sworzniem zamieniającym 2 i 3 w urządzeniu, które zachowuje się chaotycznie.
Błąd po zresetowaniu urządzenia.	Efekt wymaga mechanicznej regulacji.	Sprawdź wersję oprogramowania i komunikaty o błędach urządzenia, aby uzyskać więcej informacji. Skontaktuj się z Beamz lub autoryzowanym partnerem serwisowym Beamz.
Strumień świetlny odcina się z przerwami.	Urządzenie zbyt gorące. Diody LED uszkodzone. Ustawienia zasilania nie pasuje do lokalnego napięcia przemiennego i częstotliwości.	Pozwól urządzeniu ostygnąć. Zmniejsz temperaturę otoczenia. Zapewnij swobodny przepływ powietrza wokół oprawy. W razie potrzeby wyczyść urządzenie. Odłącz urządzenie i skontaktuj się z pomocą techniczną Beamz lub autoryzowanym partnerem serwisowym Beamz. Odłącz urządzenie. Sprawdź ustawienia i poprawić w razie potrzeby.

CONTROL MENU

MENU

PRESET	ID	0-39	Static colours	
	Master	0-100	Master dimmer 0-100%	
	Red	0-255	Red dimmer 0-100%	
	Green	0-255	Green dimmer 0-100%	
	Blue	0-255	Blue dimmer 0-100%	
	White	0-255	White dimmer 0-100%	
	Amber	0-255	Amber dimmer 0-100%	
	UV	0-255	Purple dimmer 0-100%	
COLOUR	ID	0-63	Static colours	
	Master	0-100	Master dimmer 0-100%	
EFFECTS	Chase	Built-in	0-9	
			ID:0-7	
			Add Scene	Red
				Green
				Blue
				White
				Amber
				UV
			Delete Scene	
				Fading
				Jumping
				Pulse
		Master	0-100	Master dimmer 0-100%
		Speed	0-255	Selectable speed
		Fade	0-100	
STROBE	Strobe	0-255		
	Colour	0-100	Master	
		0-255	Red	
		0-255	Green	
		0-255	Blue	
		0-255	White	
		0-255	Amber	
		0-255	UV	
SOUND	Sound enable	0n / Off		
	Sensitivity	0-9		
	Brightness	0-9		
SETTINGS	DMX	DMX Address	000-512	
		Master/Slave	Master / Slave	
		Channel mode	Normal / Simple	
		When no DMX	Off / Hold / Power up / Last	
	Wireless	Wireless En	Off / On	
	Display	Screen mode	Status / On / Off / Logo	
		Screen time	Off time	
Wireless LED		On / Off		

MENU

SETTINGS	General	Power-up	Preset	0-39	Selectable effects
			Colour	0-63	Selectable effects
			Chase	0-20	Selectable effects
			Last set		
		Battery Mode	Bright / Normal / Life		
		Dim Response	LEDs / Fast / Less fast / Middle / Slow		
		Dimming curve	Linear / LOG / S Curve / Exp		
		RDM Enable	On / Off		
		RF Enable	On / Off		
		Power Off BAT	0-50 %		
		Top Temp	25-85 degrees		
	Password	Password	On / Off		
		Set Password	Please enter the factory password first: MENU -UP-ENTER-DOWN , Then enter your new password.		
	Time	Time	Enter the actual time		
		Power ON	Switch on fixture on time, start		
		Power OFF	Switch off fixture on time		
	Load Factory	MENU	Cancel		
		ENTER	Reset		
STATUS	LED Current	Master	0-100		
		Red	0-100		
		Green	0-100		
		Blue	0-100		
		White	0-100		
		Amber	0-100		
		UV	0-100		
	Temperature				
	Battery Voltage				
	DMX Channel				
	RDM UID1				
	RDM UID2				
	Software : BAT-6S02				
	Version: MAY 04 2022				

DMX CHANNELS

D001

CHANNEL	FUNCTION	VALUE	DESCRIPTION
1	Colour	000-255	Red, 0-100%
2		000-255	Green, 0-100%
3		000-255	Blue, 0-100%
4		000-255	White, 0-100%
5		000-255	Amber, 0-100%
6		000-255	UV, 0-100%

A001

CHANNEL	FUNCTION	VALUE	DESCRIPTION
1	Master	000-255	Master dimmer, 0-100%
2	Colour	000-255	Red, 0-100%
3		000-255	Green, 0-100%
4		000-255	Blue, 0-100%
5		000-255	White, 0-100%
6		000-255	Amber, 0-100%
7		000-255	UV, 0-100%
8		Strobe	000-005
	006-255		Strobe, from slow to fast
9	Preset colours	000-010	No function
		011-127	40 preset colours
		128-129	No function
		130-255	64 factory colours
10	Mode	000-019	No function
		020-079	18 Chases
		080-127	Custom chases
		128-159	63 Colour fade
		128-159	63 Colour fade
		160-191	63 Colour jump
		192-223	63 Colour pulse
		224-255	Sound control
11	Speed	000-255	Speed, from slow to fast
12	Dimmer curve	000-005	No function
		006-055	Dimmer response, LEDs
		056-105	Dimmer response, Fast
		106-155	Dimmer response, Less fast
		156-205	Dimmer response, Middle
	206-255	Dimmer response, Slow	

TECHNICAL SPECIFICATIONS

	WBP612IP 150.780	WBP912IP 150.782	WBP1212IP 150.784
Rated voltage :	100-240VAC, 50-60Hz, 0.4-0.2A	100-240VAC, 50-60Hz, 0.7-0.35A	100-240VAC, 50-60Hz, 0.5-0.3A
LED :	6x 12Watt, 6-in-1 LED	9x 12Watt, 6-in-1 LED	12x 12Watt, 6-in-1 LED
LED Colour :		Red, Green, Blue, Amber, White and Ultra Violet	
Beam angle :	25-44°	17-39°	18-39°
Illuminance :	8.140lx @1m	7.563lx @1m	13.000lx @1m
DMX Channels :		6, 12	
IP classification :		IP65	
Built-in battery :	Lithium battery 10.4Ah/12.6Volt	Lithium battery 16Ah/12.6Volt	Lithium battery 19.2Ah/12.6Volt
Functions :		DMX, Automatic programs, Sound to light and Master-Slave	
Dimensions per unit :	170 x 230 x 210mm	215 x 280 x 235mm	270 x 140 x 280mm
Weight (per unit) :	3,80kg	5,15kg	5,15kg

Design and product specifications are subject to change without prior notice.

The products referred to in this manual conform to the European Community Directives to which they are subject:

European Union

Tronios B.V.,
Bedrijvenpark Twente Noord 18,
7602KR Almelo, The Netherlands

2014/35/EU
2014/30/EU
2011/65/EC



United Kingdom

Tronios Ltd.,
130 Harley Street,
London W1G 7JU, United Kingdom

S.I. 2016:1101
S.I. 2016:1091
S.I. 2012:3032





BEAMZ

**YOUR FUTURE
YOUR SKILLS
YOUR PLATFORM
YOUR PARTY
YOUR EVENT**



offers a wide range of high performance lighting equipment and related accessories for the rental, entertainment and architectural lighting markets. BeamZ Pro stands for performance, innovation and value pricing!

