



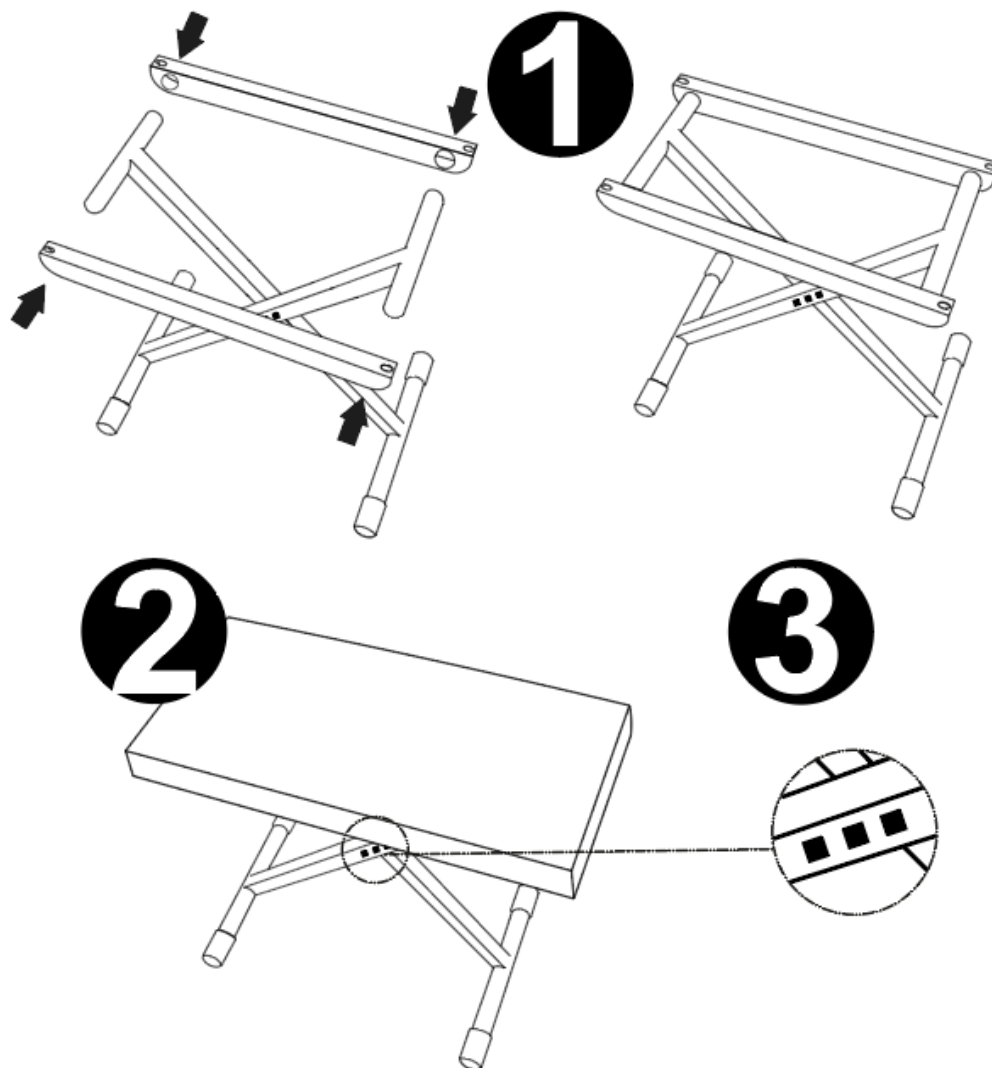
Keyboard Bench 40-60cm

Ref. nr.: 180.211



**INSTRUCTION MANUAL
GEBRUIKSAANWIJZING
GEBRAUCHSANLEITUNG
MANUAL DE INSTRUCCIONES
MANUEL D'INSTRUCTIONS
INSTRUKCJA OBSŁUGI**

ASSEMBLY INSTRUCTIONS



1. Attach the longitudinal beams to the cross-stand according to the drawing above.
2. Attach the upholstery by securing it with the supplied bolts (4x), after aligning the holes in the seat and longitudinal beams.
3. Adjust the bench to the correct height by using one of the three adjustment holes (43, 48 or 54cm height).
4. Sit down and play music like never before.

TECHNICAL SPECIFICATION

Material:	Metal
Dimension (internal):	530 x 310 x 540 mm
Height min.:	400mm
Height max.:	600mm
Max weight load (kg):	100,00
Weight (kg):	3,50

The specifications are typical. The actual values can slightly change from one unit to the other. Specifications can be changed without prior notice.

Specifications and design are subject to change without prior notice..

www.tronios.com