



BEAMZ
MADE
EAZY

150.382 V2.1

FUZE75S

USER MANUAL

INDEX

ENGLISH

SAFETY INSTRUCTIONS.....	3
UNPACKING INSTRUCTION.....	4
POWERSUPPLY.....	4
RIGGING.....	4
DMX512 CONTROL.....	5
RF REMOTE CONTROL.....	5
CLEANING.....	6
REPLACING THE FUSE.....	6
TROUBLE SHOOTING.....	7

NEDERLANDS

VEILIGHEIDSIINSTRUCTIES.....	8
UITPAKKEN.....	9
AANSLUITSPANNING.....	9
RIGGING.....	9
DMX BEDIENING.....	10
RF AFSTANDBEDIENING.....	10
REINIGEN.....	11
VERVANGEN ZEKERING.....	11
PROBLEMEN OPLOSSEN.....	12

DEUTSCH

SICHERHEITSHINWEISE.....	13
AUSPACKEN.....	14
NETZANSCHLUSS.....	14
RIGGING.....	14
DMX BEDIENUNG.....	15
RF-FERNBEDIENUNG.....	15
REINIGUNG.....	16
SICHERUNGWECHSEL.....	16
FEHLERSUCHE.....	17

ESPAÑOL

INSTRUCCIONES DE SEGURIDAD.....	18
INSTRUCCIONES DE DESEMBALAJE.....	19
FUENTE DE ALIMENTACIÓN.....	19
INSTALACIÓN.....	19
CONTROL DMX512.....	20
RF CONTROL REMOTO.....	20
LIMPIEZA.....	21
CAMBIANDO EL FUSIBLE.....	21
SOLUCIÓN DE PROBLEMAS.....	22

FRANÇAIS

INSTRUCTIONS DE SECURITE	23
INSTRUCTIONS DE DEBALLAGE	24
ALIMENTATION	24
FIXATION	24
GESTION DMX512	25
TELECOMMANDE RF	25
NETTOYAGE	26
REPLACEMENT DU FUSIBLE	26
RESOLUTION DE PROBLEMES	27

POLSKI

INSTRUKCJA BEZPIECZEŃSTWA	28
ROZPAKOWYWANIE INSTRUKCJI	29
ZASILACZ	29
MOCOWANIE	29
KONTROLA DMX512	30
RF Pilot	30
CZYSZCZENIE	31
WYMIANA BEZPIECZNIKA	31
ROZWIĄZYWANIE PROBLEMÓW	32

TECHNICAL DETAILS

CONTROL MENU	33
DMX CHANNELS	34
GOBO WHEEL	35
TECHNICAL SPECIFICATIONS	36

SAFETY INSTRUCTIONS



WARNING! Before carrying out any operations with the unit, carefully read this instruction manual and keep it with care for future reference. It contains important information about the installation, usage and maintenance of the unit.

- Unpack and check carefully that there is no transportation damage before using the unit
- Please read these instructions carefully and follow the instructions.
- Observe all safety warnings. Never remove safety warnings or other information from the equipment.
- Be sure that no ventilation slots are blocked; otherwise the unit will overheat.



CAUTION: Before connecting the equipment to the power outlet, first verify that the mains voltage and frequency match the values specified on the equipment. If the equipment has a voltage selection switch, connect the equipment to the power outlet only if the equipment values and the mains power values match. If the included power cord or power adapter does not fit in your wall outlet, contact your electrician.

- After connecting the unit, check all cables in order to prevent damage or accidents, e.g., due to tripping hazards.
- Make sure that the power cord is never crimped or damaged. Check the device and the power cord from time to time.
- Always disconnect power from the mains, when device is not used or before cleaning! Only handle the power cord by the plug. Never pull out the plug by tugging the power cord.
- Unplug the power cord and power adapter from the power outlet if there is a risk of a lightning strike or before extended periods of disuse.
- Do not switch the unit on and off in short intervals.
- Do not connect the unit to a dimmerpack.
- Install the unit in a well ventilated place.
- Never place any material over the lens.
- Always allow free air space of at least 50 cm around the unit for ventilation.
- Make sure that the area below the installation place is blocked when rigging, derigging or servicing the fixture.
- For mounting height >100 cm, always fix the fixture with an appropriate safety-rope. Fix the safety-rope at the correct fixation points only. The safety-rope must never be fixed at the transport handles!
- Never look directly at the light beam. Please note that fast changes in lighting, e.g. flashing light, may trigger epileptic seizures in photosensitive persons or persons with epilepsy.
- This unit is not designed for permanent operation. Consistent operation breaks will ensure that the device will serve you for a long time without defects.



CAUTION: If the power cord of the device is equipped with an earthing contact, then it must be connected to an outlet with a protective ground. Never deactivate the protective ground of a power cord.

- Make sure that the unit is not exposed to extreme heat, moisture or dust.
- Clean the unit using a dry cloth.
- Do not touch the fixture bare-handed during its operation (housing becomes very hot). Allow the fixture to cool for at least 5 minutes before handling.
- This unit is designed exclusively for indoor use, do not use this equipment in the immediate vicinity of fluid (does not apply to special outdoor equipment - in this case, observe the special instructions noted below). Do not expose this unit to flammable materials, fluids or gases.
- If the unit has been exposed to drastic temperature fluctuation (e.g. after transportation), do not switch it on immediately. The arising condensation water might damage your unit. Leave the unit switched off until it has reached room temperature.
- Never attempt to bypass the thermostatic switch or fuses.
- Do not dismantle or modify the unit.
- For replacement use fuses/bulb of same type and rating only.
- Repairs, servicing and electric connection must be carried out by a qualified technician.
- The ambient temperature must always be between -5°C and $+45^{\circ}\text{C}$.
- If this unit is operated in any other way, than the one described in this manual, the product may suffer damages and the warranty becomes void.
- Plastic bags must be kept out of reach of children.
- Unit must be installed out of the reach of children. Never leave the unit running unattended.



This symbol on the product or on its packaging indicates that this product shall not be treated as household waste. Instead it shall be handed over to the applicable collection point for the recycling of electrical and electronic equipment.

By ensuring this product is disposed of correctly, you will help prevent potential negative consequences for the environment and human health, which could otherwise be caused by inappropriate waste handling of this product. The recycling of materials will help to conserve natural resources. For more detailed information about recycling of this product, please contact your local Civic Office, your household waste disposal service or the shop where you purchased the product.

UNPACKING INSTRUCTION

CAUTION! Immediately upon receiving the product, carefully unpack the carton, check the contents to ensure that all parts are present, and have been received in good condition. Notify the shipper immediately and retain packing material for inspection if any parts appear damaged from shipping or the package itself shows signs of mishandling. Save the package and all packing materials. In the event that the product must be returned to the factory, it is important that the product be returned in the original factory box and packing.

If the device has been exposed to drastic temperature fluctuation (e.g. after transportation), do not switch it on immediately. The arising condensation water might damage your device. Leave the device switched off until it has reached room temperature.

POWERSUPPLY

On the label on the backside of the product is indicated on this type of power supply must be connected. Check that the mains voltage corresponds to this, all other voltages than specified, the light effect can be irreparably damaged. The product must also be directly connected to the mains and may be used. No dimmer or adjustable power supply.

The unit has a powerconnector output on board. Depending on the local conditions several units can be linked by powerconnector in- and output. Connect a maximum of four (when using 230V/16A) units in a row. Use an approved three-core cable with a cross-section of at least 1.5 mm². The installation instructions of the manufacturer and the Color coding of the cable must be observed. Do not turn off the unit by turning the powerconnector but use the power on/off switch or schuko!

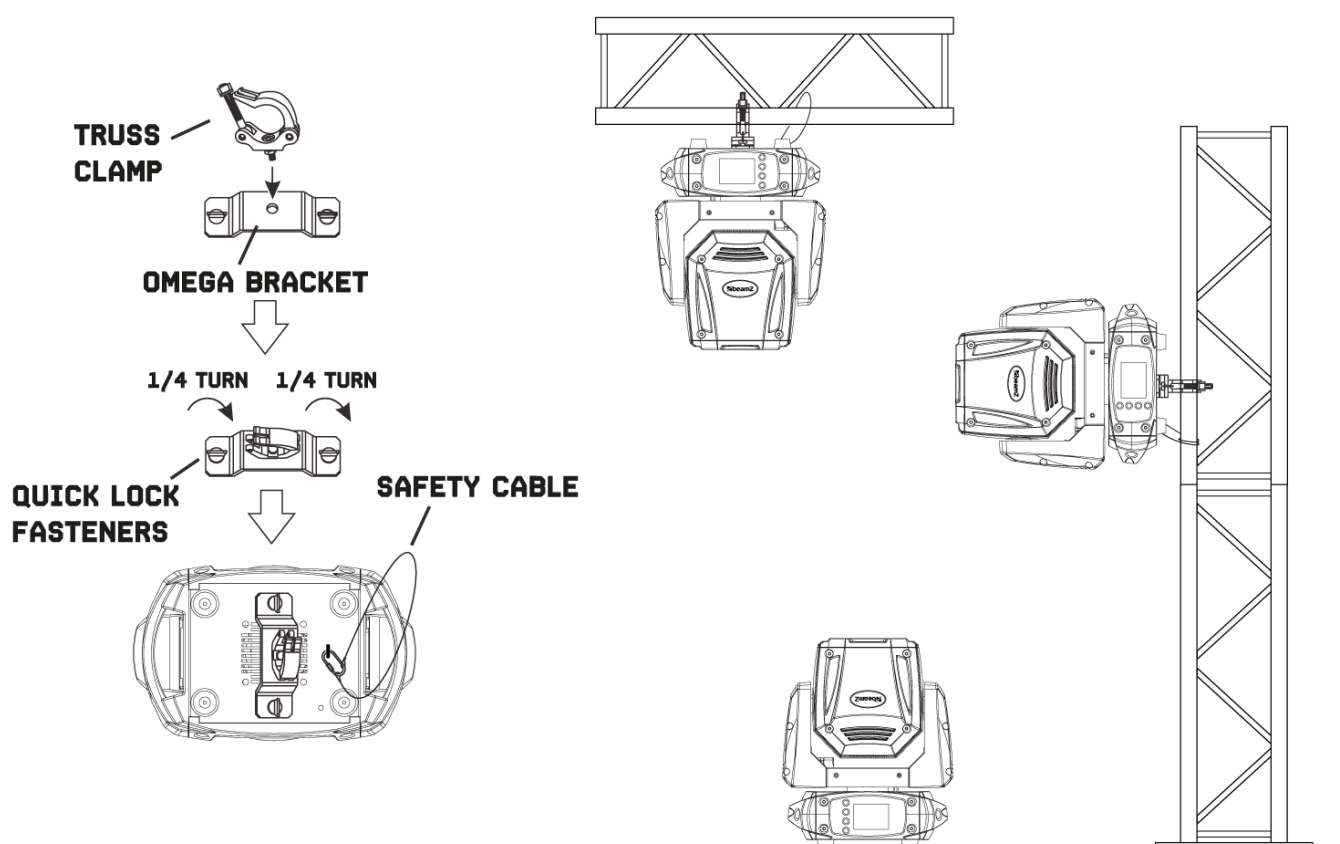


Always connect the device to a protected circuit (circuit breaker or fuse). Make sure the device has an appropriate electrical ground to avoid the risk of electrocution or fire.

RIGGING

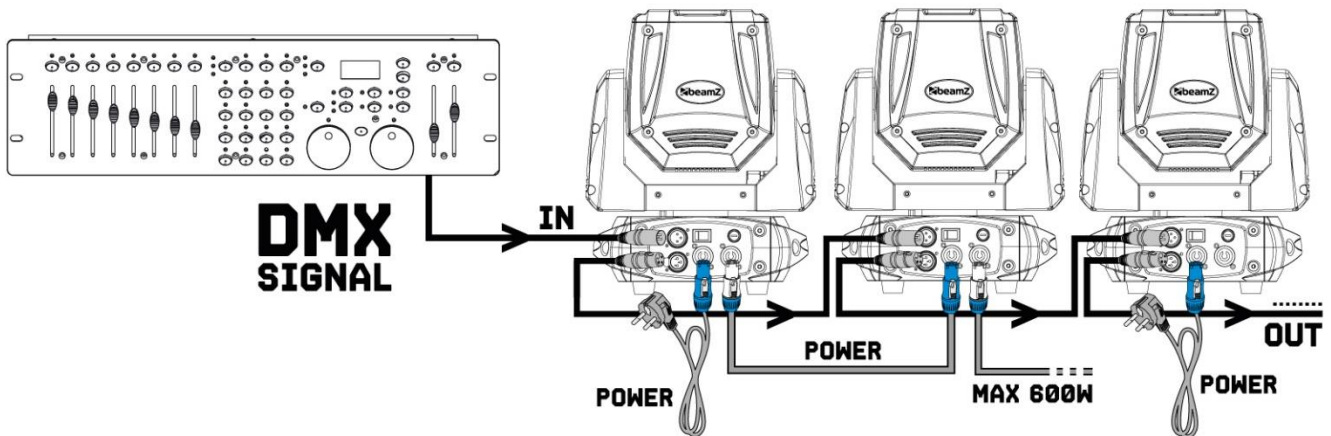
The fixture may be set up on a stable and even surface. By means of the fixing facilities of the baseplate, the unit can also be mounted upside down to a truss, see below picture. For fixing, certified clamps with correct safe working load are required. According to the figure, the quick lock bolts of the omega brackets are placed into the openings provided in the base plate and turned clockwise until they lock (to the stop). The mounting place must be of sufficient stability and be able to support a weight of 10 times of the unit's weight. Secure the fixture with a safety cable so that it cannot fall down.

When carrying out any installation, always comply European and national guidelines concerning rigging, truss and all other safety issues. Always let the installation checked out by an authorized dealer!

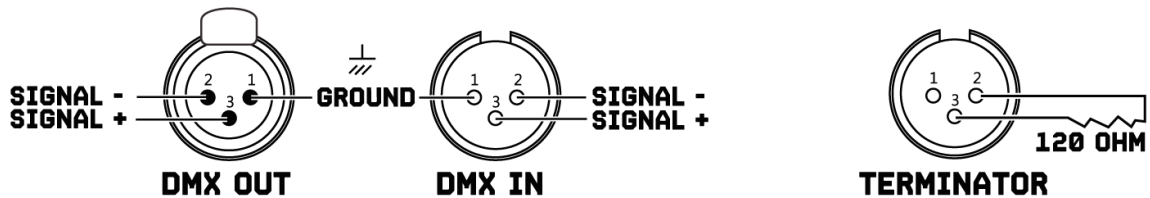


DMX512 CONTROL

If you are using a standard DMX controller, you can connect the DMX output of the controller directly to the DMX input of the first fixture in a DMX chain. Always connect the output of one unit with the input of the next fixture until all fixtures are connected.



Caution: At the last fixture, you must close the DMX line with a terminating resistor. Take an XLR connector and solder a 120 Ohm resistor between signal (-) and signal (+) and connect it to the DMX output of the last fixture in the line.



RF REMOTE CONTROL

- Select the type fixture you will control:
 - Press repeatedly 3 times on button "Spot" to activate Fuze Spot Series
 - Press repeatedly 3 times on button "Beam" to activate Beam Spot Series
 - Press repeatedly 3 times on button "Wash" to activate Wash Spot Series
- Press the button "Dimmer" to adjust brightness. Press directly on the button "+" or "-" for desired settings.
- Press the button "Strobe" to turn on/off the strobe effect. Press directly on the button "+" or "-" for desired settings.
- Press the button "⏪" to adjust the speed of sound program or adjust the sensitivity of sound control.
- Press the button "⏩" to adjust the speed of chase or adjust the sensitivity of voice control.
- Press the button "1-9" to select one of the auto or sound activated programs.
- Press the button "🔴" to reset all.
- Press the button "DMX" to select control via wired DMX signal.



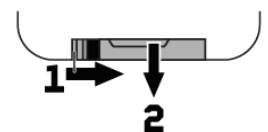
Tips:

- When activated RF function, the lamp will not control by DMX signal and the lamp is in the RF control state. Each remote controller can only control a series of fixtures at the same time.
- When Wash series opens "Dimmer" and "Strobe", it needs to press the number button to brighten the corresponding Color. In this mode, the number button can only switch the Color wheel, but not the corresponding key Color for Spot and Beam series.
- To turn off RF function, there are the following methods:
 - Select the signal input mode needed, "DMX" can exit RF function.
 - Switch to other series of fixture "Spot", "Beam", "Wash".
 - Press the menu button of the display panel.



The remote control is supplied with a battery inserted. An insulating foil between the battery and the battery contacts prevents the battery from being discharged during storage. Prior to the first operation remove the foil from the battery support on the rear side of the remote control. Otherwise operation of the remote control is not possible.

If the range of the remote control decreases, replace the battery. For this purpose, on the rear side of the remote control press the small bar with the groove to the right (1) and at the same time remove the battery support (2). For operation, one 3 V button cell type CR 2025 is required. When inserting, pay attention that the positive pole of the button cell shows upwards in the support.



CLEANING

The buildup of dust, dirt and other airborne particles will reduce the fixture's light output. It will also prevent the fixture from cooling correctly, and this will reduce the fixture's lifetime. The rate of dirt buildup will vary depending on environmental factors such as airborne dust, use of smoke machines, airflow from ventilation systems, etc. The fixture's cooling fans will accelerate buildup, and any smoke particles that are present in the atmosphere will increase the tendency for dirt to clog.

To get the best performance and lifetime from the fixture, inspect it regularly and clean it as soon as you see signs of dirt buildup.

Assess the operating environment each time you begin to use the fixture. In dusty or smoky conditions, inspect the fixture after a few hours and check it frequently the fixture may attract dirt faster than you expect. Draw up a cleaning schedule that will make sure that dirt is removed before it can build up.

Use the following guidelines:

- Disconnect the fixture from power and allow it to cool completely before cleaning.
- Do not use solvents, abrasives or any other aggressive product to clean the fixture.
- Vacuum or use low-pressure compressed air to remove dust and loose particles from surfaces and air vents. Prevent the blades of cooling fans from turning before you aim a vacuum or air jet at the fan, or you may spin the fan too fast and damage it.
- Clean glass components by wiping gently with a soft, clean, lint-free cloth moistened with a weak detergent solution. Put the solution on the cloth and not on the surface to be cleaned. Avoid rubbing glass surfaces. If particles are stuck to the glass, try to lift them off by dabbing them repeatedly with a cotton swab or moistened lint-free cloth.
- Dry the fixture with a soft, clean, lint-free cloth or low-pressure compressed air before reapplying power.

REPLACING THE FUSE

If the fuse is defective, replace the fuse with a fuse of the same type and value. Before replacing the fuse, unplug mains lead.



Procedure:

Step 1: Open the fuse holder on the rear panel with a fitting screwdriver.

Step 2: Remove the old fuse from the fuse holder.

Step 3: Install the new fuse in the fuse holder.

Step 4: Replace the fuse holder in the housing.

TROUBLE SHOOTING

The checklist below may help you troubleshoot in the unlikely event that a problem occurs while using the product:

Symptom	Possible cause	Suggested action
No response from fixture.	No power to fixture. Fuse blown or internal fault.	Check that power is turned on. Check cables and connections. Replace main fuse or contact Beamz support or Beamz authorized service partner. Do not remove base or yoke covers. Do not attempt to replace a fuse or carry out any repairs or service that are not described in this User Manual unless you have both authorization from Beamz support or Beamz authorized service partner.
Fixture resets correctly but does not respond (or does not respond correctly) to the controller.	The controller is not connected. Bad DMX-line. DMX-line has no end resistance. Incorrect fixture addressing. A fixture is defective and is disturbing data transmission on the DMX-line. Pin 2 and 3 are reversed in XLR connection.	Connect controller. Inspect connections and cables. Correct poor connections. Repair or replace damaged cables. Insert DMX terminator plug in DMX output socket of last fixture on DMX-line. Check fixture address and DMX mode settings. Unplug DMX IN and OUT connectors and connect them directly together to bypass one fixture at a time until normal operation is regained. Have defective fixture serviced by an authorized technician. Inspect connections and cables. Install a phase-reversing cable between the fixtures or swap pin 2 and 3 in the fixture, that behaves erratically.
Error after fixture reset.	Effect requires mechanical adjustment.	Check fixture's software version and error messages for more information. Contact Beamz support or Beamz authorized service partner.
Light output cuts out intermittently.	Fixture too hot. LEDs damaged The power supply settings do not match local AC voltage and frequency.	Allow fixture to cool. Reduce ambient temperature. Ensure free airflow around fixture. Clean fixture if necessary. Disconnect fixture and contact Beamz support or Beamz authorized service partner. Disconnect fixture. Check settings and correct if necessary.

VEILIGHEIDSINSTRUCTIES



WAARSCHUWING! Lees deze gebruiksaanwijzing zorgvuldig door voordat u met het apparaat gaat werken en bewaar deze handleiding voor toekomstig gebruik. Het bevat belangrijke informatie over de installatie, het gebruik en het onderhoud van het apparaat.

- Uitpakken en zorgvuldig controleren of er geen transportschade is voordat u het apparaat gebruikt.
- Lees deze instructies aandachtig door en volg de instructies op.
- Neem alle veiligheids waarschuwingen in acht. Verwijder nooit veiligheids waarschuwingen of andere informatie uit de apparatuur.
- Zorg ervoor dat er geen ventilatiesleuven geblokkeerd zijn, anders zal het apparaat oververhit raken.



WAARSCHUWING: Voordat u het apparaat verbind met een contactdoos, moet u eerst controleren of de netspanning en -frequentie overeenkomen met de op de apparatuur aangegeven waarden. Als de apparatuur een spanningsselectieschakelaar heeft, sluit de apparatuur alleen aan op het stopcontact als de waarden van de apparatuur en de waarden van de netspanning overeenkomen. Als het bijgeleverde netsnoer of de voedingsadapter niet in uw stopcontact past, neem dan contact op met uw elektricien.

- Controleer na het aansluiten van het apparaat alle kabels om schade of ongevallen, bijv. door struikelgevaar, te voorkomen.
- Zorg ervoor dat het netsnoer nooit gekrompen of beschadigd raakt. Controleer het apparaat en het netsnoer van tijd tot tijd.
- Trek altijd de stekker uit het stopcontact wanneer het apparaat niet wordt gebruikt of voordat u het apparaat schoonmaakt! Pak het netsnoer alleen bij de stekker vast en trek nooit aan het netsnoer.
- Haal de stekker van het netsnoer en de voedingsadapter uit het stopcontact als er gevaar bestaat voor blikseminslag of voor langere perioden van buitengebruikstelling.
- Schakel het apparaat niet snel achter elkaar in en uit.
- Sluit het apparaat niet aan op een dimmerpack.
- Installeer het apparaat op een goed geventileerde plaats.
- Plaats nooit materiaal over de lens.
- Zorg altijd voor een vrije luchtruimte van minstens 50 cm rondom het apparaat voor ventilatie.
- Zorg ervoor dat de ruimte rondom en onder de montageplek wordt afgezet tijdens het (de)monteren of onderhoud van het armatuur.
- Voor gebruik bij montagehoogte >100 cm, bevestig de armatuur altijd met een geschikte veiligheidskabel. Bevestig de veiligheidskabel alleen op de juiste bevestigingspunten. De veiligheidskabel mag nooit aan de transporthandgrepen worden bevestigd!
- Kijk nooit direct naar de lichtbundel. Houd er rekening mee dat snelle veranderingen in de verlichting, bijv. knipperlicht, epileptische aanvallen kunnen veroorzaken bij lichtgevoelige personen of personen met epilepsie.
- Dit apparaat is niet ontworpen voor permanent gebruik. Consistente bedieningspauzes zullen ervoor zorgen dat het apparaat lang zonder defecten van dienst zal zijn.



WAARSCHUWING: Als het netsnoer van het apparaat is voorzien van een aardingscontact, moet het worden aangesloten op een stopcontact met een beschermende aarding. Deactiveer nooit de beschermende aarding van een netsnoer.

- Zorg ervoor dat het apparaat niet wordt blootgesteld aan extreme hitte, vocht of stof.
- Reinig het apparaat met een droge doek.
- Raak de armatuur tijdens de werking ervan niet met blote handen aan (de behuizing kan zeer heet worden). Laat de armatuur ten minste 5 minuten afkoelen alvorens deze te hanteren.
- Dit toestel is uitsluitend ontworpen voor gebruik binnenshuis, gebruik deze apparatuur niet in de onmiddellijke nabijheid van vloeistof (niet van toepassing op speciale buitenapparatuur – in dit geval, neem de speciale instructies hieronder in acht). Stel dit apparaat niet bloot aan brandbare materialen, vloeistoffen of gassen.
- Als het apparaat is blootgesteld aan drastische temperatuurschommelingen (bijv. na transport), schakel het dan niet onmiddellijk in. Het ontstane condenswater kan uw apparaat beschadigen. Laat het apparaat uitgeschakeld tot het op kamertemperatuur is.
- Probeer nooit de thermostaatschakelaar of zekeringen te omzeilen.
- Demonteer of wijzig het apparaat niet.
- Gebruik voor vervanging alleen zekeringen/lampen van hetzelfde type en vermogen.
- Reparaties, onderhoud en elektrische aansluiting moeten worden uitgevoerd door een gekwalificeerde technicus.
- De omgevingstemperatuur moet altijd tussen -5° C en +45° C liggen.
- Als dit toestel op een andere manier wordt gebruikt dan beschreven in deze handleiding, kan het product beschadigd raken en vervalt de garantie.
- Plastic zakken moeten buiten het bereik van kinderen worden gehouden.
- Het apparaat moet buiten het bereik van kinderen worden geïnstalleerd. Laat het apparaat nooit zonder toezicht draaien.



Dit symbool op het product of op de verpakking geeft aan dat dit product niet als huishoudelijk afval mag worden behandeld. In plaats daarvan moet het worden overhandigd aan het toepasselijke inzamelpunt voor de recycling van elektrische en elektronische apparatuur.

Door ervoor te zorgen dat dit product op de juiste wijze wordt afgevoerd, helpt u mogelijke negatieve gevolgen voor het milieu en de menselijke gezondheid te voorkomen, die anders zouden kunnen worden veroorzaakt door on gepaste afvalverwerking van dit product. Het recyclen van materialen draagt bij tot het behoud van natuurlijke hulpbronnen. Voor meer gedetailleerde informatie over het recyclen van dit product kunt u contact opnemen met uw plaatselijke gemeente, uw huisvuildienst of de winkel waar u het product hebt gekocht.

UITPAKKEN

LET OP! Onmiddellijk na ontvangst, zorgvuldig uitpakken van de doos, controleer de inhoud om ervoor te zorgen dat alle onderdelen aanwezig zijn en zijn in goede staat zijn ontvangen. Bij transportschade of ontbreken van onderdelen onmiddellijk de verkopende partij inlichten. Bewaar de verpakking en het verpakkingsmateriaal. Indien het product moet worden teruggestuurd, is het belangrijk dat het product in originele verpakking wordt geretourneerd.

Als het apparaat is blootgesteld aan drastische temperatuurverschillen (bv. na het transport), schakel het apparaat niet onmiddellijk in. De ontstane condensatie kan het apparaat beschadigen. Zorg ervoor dat het apparaat op kamertemperatuur komt en steek vervolgens de voeding stekker in het stopcontact.

AANSLUITSPANNING

Op achterzijde van het product staat aangegeven op welke netspanning deze moet worden aangesloten. Controleer of de netspanning hiermee overeenkomt, bij alle andere netspanningen dan aangegeven kan het apparaat onherstelbaar worden beschadigd. Tevens moet het apparaat direct op de netspanning worden aangesloten en mag géén dimmer of regelbare voeding worden gebruikt.

Het apparaat heeft een powerconnector uitgang aan boord. Afhankelijk van de plaatselijke omstandigheden kunnen meerdere apparaten via de in- en uitgang met elkaar worden verbonden. Sluit maximaal vier (bij gebruik van 230V/16A) apparaten op een rij aan. Gebruik een goedgekeurde 3-aderige kabel met een doorsnede van minimaal 1,5 mm². De installatievoorschriften van de fabrikant en de kleurcodering van de kabel moeten in acht worden genomen. Schakel het apparaat niet uit door de powerconnector te draaien, maar gebruik de aan/uit-schakelaar of trek de stekker uit het stopcontact!

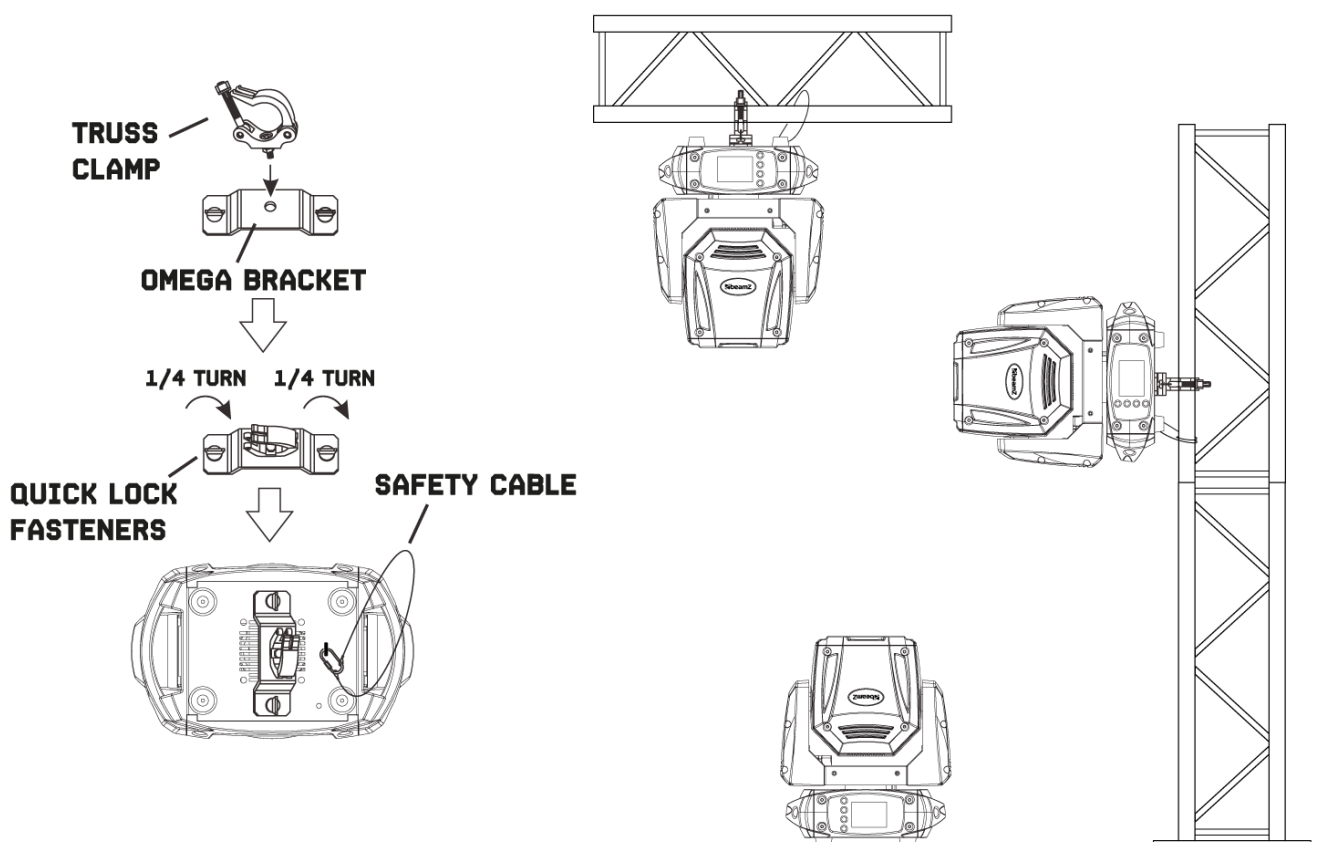


Sluit het apparaat altijd aan op een beschermd circuit (aardlekschakelaar of zekering). Zorg ervoor dat het apparaat voldoende elektrisch is geaard om het risico op elektrocutie of brand te vermijden.

RIGGING

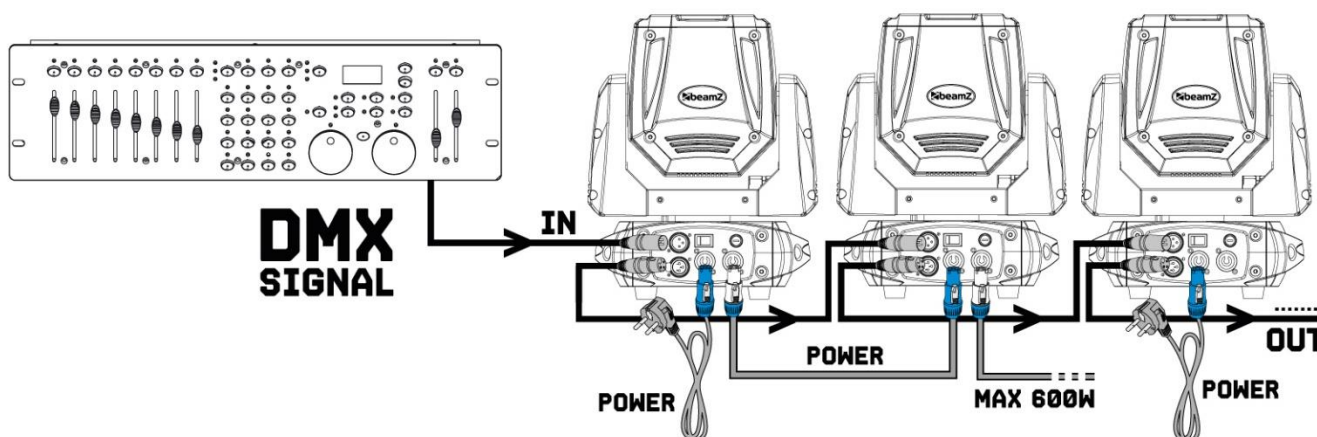
Het armatuur kan op een stabiele en gelijkmatige ondergrond worden opgesteld. Door middel van de bevestigingsmogelijkheden van de grondplaat kan het armatuur ook ondersteboven aan een truss gemonteerd worden, zie onderstaande afbeelding. Voor de bevestiging zijn gecertificeerde klemmen met de juiste werklust vereist. Volgens de figuur worden de quick-lock bouten van de omega beugels in de openingen in de bodemplaat geplaatst en rechtsom gedraaid tot ze vergrendelen (tot aan de aanslag). De montageplaats moet voldoende stabiel zijn en een gewicht van 10 keer het gewicht van het armatuur kunnen dragen. Borg het armatuur met een veiligheidskabel, zodat deze niet naar beneden kan vallen.

Volg bij het uitvoeren van een installatie altijd de Europese en nationale richtlijnen met betrekking tot rigging, truss en alle andere veiligheidskwesities. Laat de installatie altijd controleren door een geautoriseerde dealer!

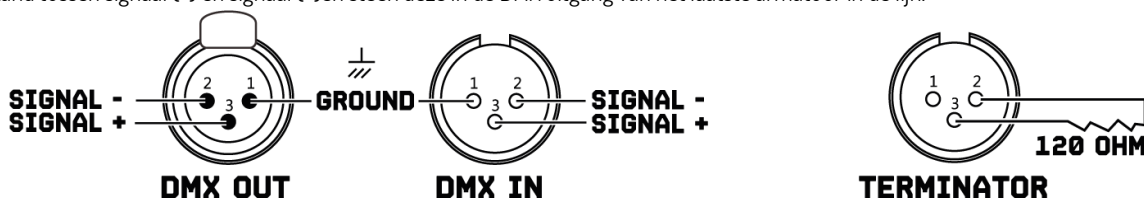


DMX BEDIENING

Als u gebruik maakt van een standaard DMX-lichtstuurtafel, kunt u de DMX uitgang van de lichtstuurtafel rechtstreeks aansluiten op de DMX ingang van het eerste armatuur. Sluit altijd de DMX uitgang aan op de eerst volgende DMX ingang van het volgende armatuur totdat alle armaturen zijn aangesloten.



Opgelet: Bij het laatste armatuur, dient u de DMX-lijn af te sluiten met een eindweerstand. Neem een XLR connector en soldeer een 120 Ohm weerstand tussen signaal (-) en signaal (+) en steek deze in de DMX uitgang van het laatste armatuur in de lijn.



RF AFSTANDSBEDIENING

- Selecteer het type armatuur dat u wilt bedienen:
 - Druk 3 keer herhaaldelijk op de knop "Spot" om de Fuze Spot Serie te activeren.
 - Druk 3 keer herhaaldelijk op de knop "Beam" om de Beam Spot Series te activeren.
 - Druk 3 keer herhaaldelijk op de knop "Wash" om de Wash Spot Series te activeren.
- Druk op de knop "Dimmer" om de helderheid aan te passen. Druk vervolgens direct op de knop "+" of "-" voor de gewenste instellingen.
- Druk op de knop "Strobe" om het stroboscoopeffect in/uit te schakelen. Druk vervolgens direct op de knop "+" of "-" voor de gewenste instellingen.
- Druk op de knop "←" om de snelheid van het geluidsprogramma aan te passen of de gevoeligheid van de geluidsregeling aan te passen.
- Druk op de knop "→" om de snelheid van de chase in te stellen of de gevoeligheid van de spraakbesturing aan te passen.
- Druk op de knop "1-9" om één van de automatische of geluidsgestuurde programma's te selecteren.
- Druk op de knop "⏮" om alles te resetten.
- Druk op de knop "DMX" om de bediening via een bedraad DMX-sigitaal te selecteren.



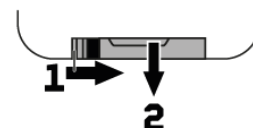
Tips:

- Wanneer de RF-functie geactiveerd is, kan men het armatuur niet met een DMX-sigitaal aansturen en bevindt het armatuur zich in de RF-besturingsstatus. Elke afstandsbediening kan slechts één serie armaturen tegelijkertijd bedienen.
- Wanneer de Wash-serie "Dimmer" en "Strobe" opent, moet op de cijfertoets worden gedrukt om de bijbehorende kleur op te lichten. In deze modus kan de cijfertoets alleen het kleurenwiel schakelen, maar niet de corresponderende kleur voor de Spot- en Beam-serie.
- Om de RF-functie uit te schakelen, zijn er de volgende methoden:
 - Selecteer de gewenste signaalvoermodus, "DMX" kan de RF-functie verlaten.
 - Schakelen naar andere armatuur serie, "Spot", "Beam", "Wash"
 - Druk op de menuknop van het display.



De afstandsbediening is voorzien van een batterij. Een isolerende folie tussen de batterij en de batterij contacten voorkomt dat de batterij tijdens transport ontlad. Voorafgaand aan het eerste gebruik, verwijder de folie van de batterijhouder aan de achterzijde van de afstandsbediening. Anders wordt de werking van de afstandsbediening is niet mogelijk.

Indien het bereik van de afstandsbediening afneemt, vervang dan de batterij. Aan de achterzijde van de afstandsbediening drukt de schuif met inkeping naar rechts (1) tegelijkertijd verwijdert de batterijhouder (2). Voor de werking, is een 3V knop cel type CR2025 nodig. Let op, bij de het vervangen van de batterij dat u de positieve pool van de knooppool omhoog plaatst.



REINIGEN

De opeenhoping van stof, vuil en andere zwevende deeltjes verminderen de lichtopbrengst van het armatuur. Het zal ook voorkomen dat het armatuur correct koelt, en dit zal de levensduur van het armatuur verkorten. De snelheid van de vuilafzetting zal variëren afhankelijk van omgevingsfactoren zoals stof in de lucht, gebruik van rookmachines, luchtstroom van ventilatiesystemen, enz. De koelventilatoren van het armatuur zullen de opbouw versnellen, en alle rookdeeltjes die in de atmosfeer aanwezig zijn, zullen de neiging tot verstopping van vuil vergroten.

Om de beste prestaties en levensduur van het armatuur te krijgen, inspecteer het armatuur regelmatig en maak deze schoon zodra u tekenen van vuilophoping ziet.

Beoordeel de gebruiksomgeving elke keer dat u het armatuur begint te gebruiken. In stoffige of rokerige omstandigheden, inspecteer het armatuur na enkele uren en controleer het regelmatig of het armatuur mogelijk sneller vuil aantrekt dan u verwacht. Stel een reinigingsschema op dat ervoor zorgt dat het vuil wordt verwijderd voordat het zich kan ophopen.

Gebruik de volgende richtlijnen:

- Ontkoppel het armatuur van het stroomnet en laat hem volledig afkoelen voordat u hem schoonmaakt.
- Gebruik geen oplosmiddelen, schuurmiddelen of andere agressieve producten om het armatuur te reinigen.
- Stofzuig of gebruik lage druk perslucht om stof en losse deeltjes van oppervlakken en luchtopeningen te verwijderen. Voorkom dat de bladen van de koelventilatoren draaien voordat u een vacuüm of luchtstraal op de ventilator richt, anders kunt u de ventilator te snel laten draaien en deze beschadigen.
- Reinig glazen onderdelen door ze voorzichtig af te vegen met een zachte, schone, pluisvrije doek, bevochtigd met een zwakke reinigungsoplossing. Leg de oplossing op de doek en niet op het te reinigen oppervlak. Vermijd het wrijven van glazen oppervlakken. Als er deeltjes aan het glas vastzitten, probeer ze er dan af te tillen door ze herhaaldelijk deppen met een wattenstaafje of een vochtige, pluisvrije doek.
- Droog het armatuur met een zachte, schone, pluisvrije doek of perslucht onder lage druk voordat u het toestel opnieuw van stroom voorziet.

VERVANGEN ZEKERING

Indien de zekering defect is, dient u de zekering te vervangen door een zekering van hetzelfde type en waarde. Voor het vervangen van de zekering, schakel eerst de stroom uit en volg de onderstaande stappen.



Procedure:

Stap 1: Open de zekeringhouder op het achterpaneel met een passende platte schroevendraaier.

Stap 2: Verwijder de oude zekering uit de zekeringhouder.

Stap 3: Installeer de nieuwe zekering in de zekeringhouder.

Stap 4: Plaats de zekeringhouder in de behuizing.

PROBLEMEN OPLOSSEN

De onderstaande checklist kan u hulp bieden in het onwaarschijnlijke geval dat zich een probleem voordoet tijdens het gebruik van het product:

Symptoom	Mogelijke oorzaak	Voorgestelde actie
Geen reactie van het armatuur.	Geen stroomvoorziening. Zekering doorgebrand of interne fout.	Controleer of de voeding is ingeschakeld. Controleer de kabels en aansluitingen. Vervang de hoofdzekering of neem contact op met de Beamz Support of de door Beamz geautoriseerde servicepartner. Demonteer geen onderdelen van de behuizing. Probeer geen zekering te vervangen of reparaties of onderhoud uit te voeren die niet in deze gebruikershandleiding worden beschreven, tenzij u hiervoor toestemming hebt van de Beamz Support of een door Beamz geautoriseerde servicepartner.
De armatuur wordt correct gereset, maar reageert niet (of niet correct) op de lichtstuurtafel.	De lichtstuurtafel is niet aangesloten. Slechte DMX-lijn. DMX-lijn heeft geen eindweerstand. Onjuiste adressering van het armatuur. Een armatuur is defect en verstoort de gegevensoverdracht op de DMX-lijn. Pin 2 en 3 zijn omgekeerd in XLR-aansluiting.	Verbind de lichtstuurtafel. Controleer de aansluitingen en kabels. Corrigeer slechte verbindingen. Repareer of vervang beschadigde kabels. Steek de DMX terminatorstekker in de DMX-uitgang van de laatste armatuur op de DMX-lijn. Controleer het armatuuradres en de instellingen van de DMX-modus. Haal de DMX IN en OUT connectoren uit het armatuur en verbind ze direct met elkaar om één armatuur per keer te omzeilen totdat de normale werking is hersteld. Laat een defecte armatuur onderhouden door een geautoriseerde technicus. Controleer de aansluitingen en kabels. Installeer een fase verschuivende kabel tussen de armaturen of wissel pin 2 en 3 in het armatuur, die zich afwijkend gedraagt.
Fout na reset van de armatuur.	Effect vereist mechanische aanpassing.	Controleer de softwareversie en foutmeldingen van het armatuur voor meer informatie. Neem contact op met Beamz Support of Beamz geautoriseerde servicepartner.
Geen lichtopbrengst of licht valt met tussenpozen uit.	Armatuur te warm. LED's defect Instellingen van de voedingsspanning komen niet overeenkomen met de lokale wisselspanning en frequentie.	Laat het armatuur afkoelen. Verlaag de omgevingstemperatuur. Zorg voor een vrije luchtstroom rond het armatuur. Reinig het armatuur indien nodig. Ontkoppel het armatuur en neem contact op met de Beamz Support of met een door Beamz geautoriseerde servicepartner. Ontkoppel het armatuur. Controleer de instellingen en corrigeer mogelijke fouten

SICHERHEITSHINWEISE



WARNUNG! Lesen Sie diese Anleitung sorgfältig durch, bevor Sie das Gerät in Betrieb nehmen, und bewahren Sie sie zum späteren Gebrauch auf. Sie enthält wichtige Informationen über die Installation, den Gebrauch und die Wartung des Gerätes.

- Vor der Inbetriebnahme des Gerätes auspacken und sorgfältig auf Transportschäden prüfen.
- Lesen Sie diese Anleitung sorgfältig durch und befolgen Sie sie.
- Beachten Sie alle Sicherheitshinweise. Entfernen Sie niemals Sicherheitshinweise oder andere Informationen vom Gerät.
- Achten Sie darauf, dass keine Lüftungsschlitze blockiert sind, da das Gerät sonst überhitzt.



WARNUNG: Bevor Sie das Gerät an eine Steckdose anschließen, überprüfen Sie, ob die Netzspannung und -frequenz mit den auf dem Gerät angegebenen Werten übereinstimmen. Wenn das Gerät über einen Spannungswahlschalter verfügt, schließen Sie das Gerät nur dann an das Netz an, wenn die Geräterwerte und die Netzspannungswerte übereinstimmen. Wenn das mitgelieferte Netzkabel oder -adapter nicht in Ihre Steckdose passt, wenden Sie sich an Ihren Elektriker.

- Überprüfen Sie nach dem Anschluss des Gerätes alle Kabel, um Schäden oder Unfälle, z.B. durch Stolperfallen, zu vermeiden.
- Das Netzkabel darf niemals geschrompft oder beschädigt werden. Überprüfen Sie das Gerät und das Netzkabel von Zeit zu Zeit.
- Ziehen Sie immer den Netzstecker, wenn Sie das Gerät nicht benutzen oder vor der Reinigung! Fassen Sie das Netzkabel nur am Stecker und ziehen Sie niemals am Netzkabel.
- Ziehen Sie das Netzkabel und das Netzteil aus der Steckdose, wenn die Gefahr von Blitzschlag oder längerer Inaktivität besteht.
- Schalten Sie die Maschine nicht in schneller Folge ein und aus.
- Schließen Sie das Gerät nicht an ein Dimmerpack an.
- Installieren Sie das Gerät an einem gut belüfteten Ort.
- Legen Sie niemals Material über die Linse.
- Achten Sie immer auf einen Freiraum von mindestens 50 cm um das Gerät, um eine Belüftung zu gewährleisten.
- Achten Sie darauf, dass der Raum um und unter dem Montageort während der (Aus-)Montage oder Wartung des Gerätes verschlossen ist.
- Bei Verwendung mit einer Montagehöhe >100 cm ist die Leuchte immer mit einem geeigneten Sicherungsdraht zu befestigen. Befestigen Sie den Sicherungsdraht nur an den richtigen Befestigungspunkten. Der Sicherungsdraht darf niemals an den Transportgriffen befestigt werden!
- Niemals direkt in den Lichtstrahl schauen. Bitte beachten Sie, dass schnelle Veränderungen in der Beleuchtung, z.B. Blinklichter, bei lichtempfindlichen oder epileptischen Patienten epileptische Anfälle verursachen können.
- Dieses Gerät ist nicht für den Dauerbetrieb ausgelegt. Durch konsequente Betriebspausen wird sichergestellt, dass das Gerät lange Zeit störungsfrei arbeitet.



WARNUNG: Wenn das Netzkabel des Gerätes mit einer Erdungsklemme ausgestattet ist, schließen Sie es an eine Steckdose mit einer Schutzerdungsklemme an. Deaktivieren Sie niemals die Schutzerdung eines Netzkabels.

- Achten Sie darauf, dass das Gerät keiner extremen Hitze, Feuchtigkeit oder Staub ausgesetzt ist.
- Reinigen Sie das Gerät mit einem trockenen Tuch.
- Berühren Sie das Gerät während des Betriebs nicht mit bloßen Händen (das Gehäuse kann sehr heiß werden). Lassen Sie das Gerät vor der Handhabung mindestens 5 Minuten abkühlen.
- Dieses Gerät ist nur für den Innenbereich bestimmt, verwenden Sie es nicht in unmittelbarer Nähe von Flüssigkeiten (gilt nicht für spezielle Außengeräte - in diesem Fall befolgen Sie die folgenden besonderen Anweisungen). Setzen Sie dieses Gerät keinen brennbaren Stoffen, Flüssigkeiten oder Gasen aus.
- Wenn das Gerät starken Temperaturschwankungen ausgesetzt war (z.B. nach dem Transport), schalten Sie es nicht sofort ein. Die dabei entstehende Kondensation kann Ihr Gerät beschädigen. Lassen Sie das Gerät ausgeschaltet, bis es Raumtemperatur erreicht hat.
- Versuchen Sie niemals, den Thermostatschalter oder die Sicherungen zu umgehen.
- Demontieren oder modifizieren Sie das Gerät nicht.
- Verwenden Sie für den Austausch nur Sicherungen/Leuchten gleichen Typs und gleicher Leistung.
- Reparaturen, Wartungen und der elektrische Anschluss dürfen nur von einem qualifizierten Techniker durchgeführt werden.
- Die Umgebungstemperatur muss immer zwischen -5°C und +45°C liegen.
- Wenn dieses Gerät auf eine andere Weise als in dieser Anleitung beschrieben verwendet wird, kann das Produkt beschädigt werden und die Garantie erlischt.
- Plastiktüten sollten außerhalb der Reichweite von Kindern aufbewahrt werden.
- Das Gerät muss außerhalb der Reichweite von Kindern installiert werden. Betreiben Sie das Gerät niemals unbeaufsichtigt.



Dieses Symbol auf dem Produkt oder der Verpackung weist darauf hin, dass dieses Produkt nicht als normaler Haushaltsabfall behandelt werden darf. Es muss stattdessen an die entsprechende Sammelstelle für das Recycling von elektrischen und elektronischen Geräten abgegeben werden.

Indem Sie sicherstellen, dass dieses Gerät ordnungsgemäß entsorgt wird, tragen Sie dazu bei, mögliche negative Auswirkungen auf die Umwelt und die menschliche Gesundheit zu vermeiden, die sonst durch eine unsachgemäße Entsorgung dieses Produkts verursacht werden könnten. Recycling-Materialien tragen zur Schonung der natürlichen Ressourcen bei. Für weitere Informationen zur Wiederverwertung dieses Produkts wenden Sie sich bitte an Ihre Gemeinde, Ihren Hausmüllentsorger oder an den Laden, in dem Sie das Produkt gekauft haben.

Tronios BV Registrierungsnummer : DE51181017 (ElektroG) / 21003000 (BatterieG)

AUSPACKEN

ACHTUNG! Packen Sie den Karton sofort nach Erhalt sorgfältig aus, überprüfen Sie seinen Inhalt, um sicherzustellen, dass alle Teile vorhanden sind und in gutem Zustand erhalten wurden. Bei Transportschäden oder fehlenden Teilen ist der Verkäufer unverzüglich zu informieren. Lagern Sie die Verpackung und das Verpackungsmaterial. Wenn das Produkt zurückgegeben werden muss, ist es wichtig, dass das Produkt in der Originalverpackung zurückgegeben wird.

Wenn das Gerät drastischen Temperaturunterschieden ausgesetzt war (z.B. nach dem Transport), schalten Sie es nicht sofort ein. Die dabei entstehende Kondensation kann das Gerät beschädigen. Vergewissern Sie sich, dass das Gerät Raumtemperatur hat, und stecken Sie dann den Netzstecker in die Steckdose.

NETZANSCHLUSS

Auf der Rückseite von das Gerät wird angezeigt, an welche Netzspannung es angeschlossen werden muss. Prüfen Sie, ob die Netzspannung mit dieser übereinstimmt. Wenn die Netzspannung von der angegebenen abweicht, kann das Gerät irreparabel beschädigt werden. Das Gerät muss auch direkt an die Netzspannung angeschlossen werden. Es darf kein Dimmer oder eine einstellbare Stromversorgung verwendet werden.

Das Gerät verfügt über einen powerconnector Netzausgang. Entsprechend der örtlichen Gegebenheiten können mehrere Geräte durch powerconnector Ein- und Ausgang verlinkt werden. Verbinden Sie maximal vier (bei Benutzung von 230V/16A) P12 in einer Reihe. Nutzen Sie dafür ein zugelassenes dreiadriges Kabel mit min. 1,5 mm² Querschnitt. Dabei sind die Installationshinweise vom Hersteller und die Farbkodierung des Kabels zu beachten. Schalten Sie das Gerät nicht durch Drehen des powerconnector aus, sondern verwenden Sie den Ein-/Ausschalter oder ziehen Sie den Netzstecker!

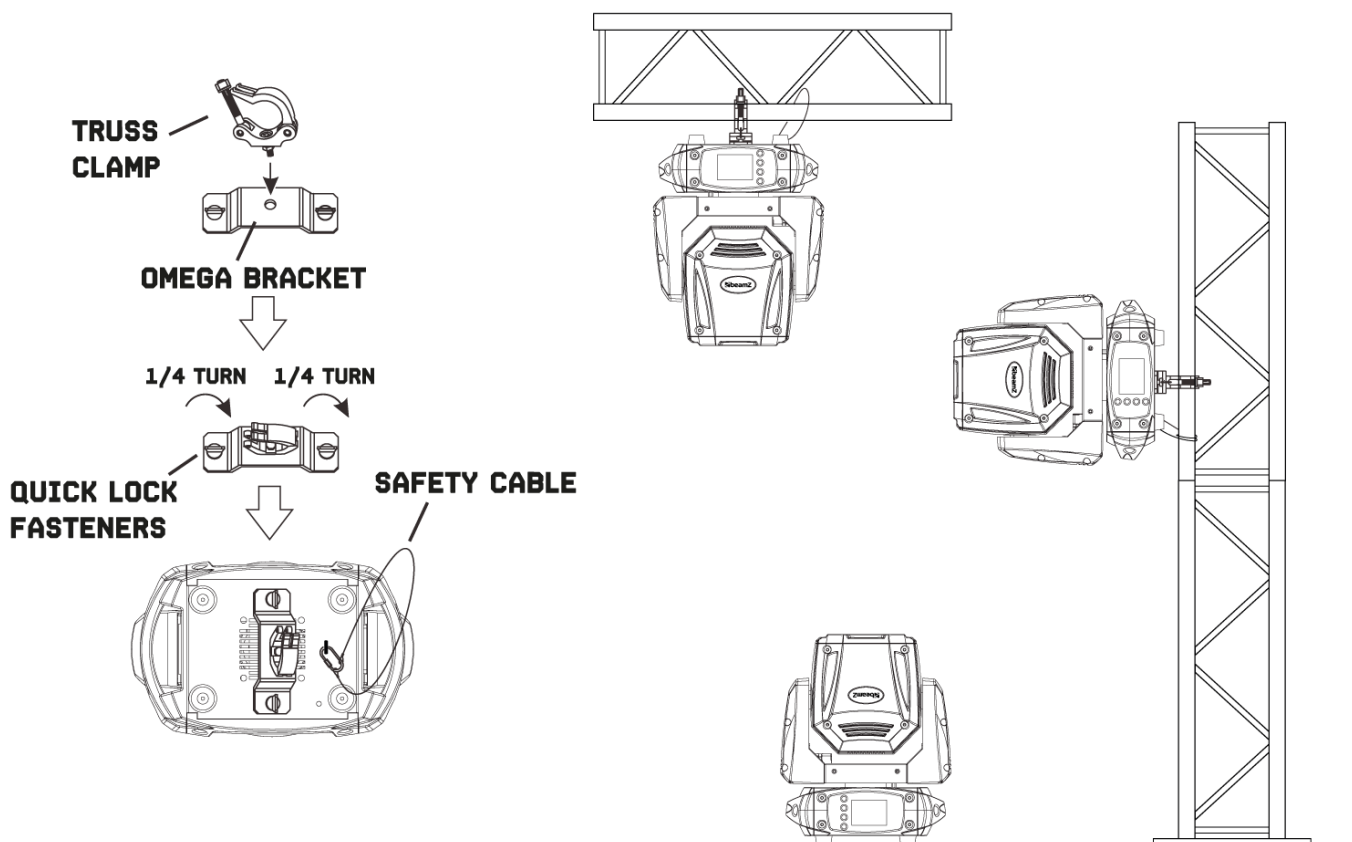


Schließen Sie das Gerät immer an einen geschützten Stromkreis an (Fehlerstromschutzschalter oder Sicherung). Vergewissern Sie sich, dass das Gerät ausreichend elektrisch geerdet ist, um die Gefahr eines Stromschlags oder Brandes zu vermeiden.

RIGGING

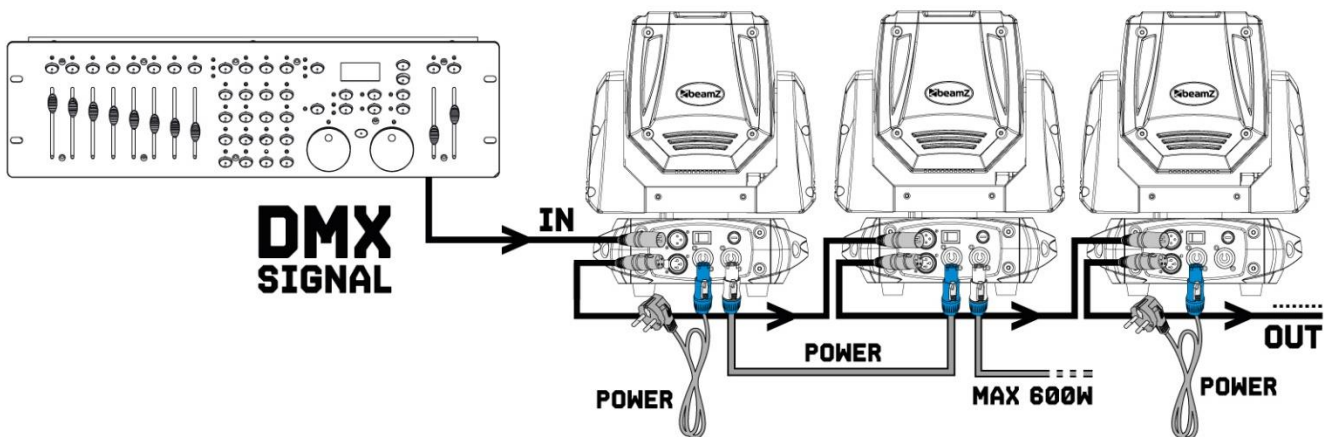
Das Gerät kann auf einer stabilen und ebenen Fläche aufgestellt werden. Durch die Befestigungsmöglichkeiten der Grundplatte kann das Gerät auch kopfüber an einer Traverse montiert werden, siehe untenstehende Abbildung. Für die Befestigung sind zertifizierte Klemmen mit korrekter Tragfähigkeit erforderlich. Gemäß der Abbildung werden die Schnellverschlussriegel der Omega-Halterungen in die vorgesehenen Öffnungen der Grundplatte eingesetzt und im Uhrzeigersinn gedreht, bis sie einrasten (bis zum Anschlag). Der Montageort muss ausreichend stabil sein und ein Gewicht von dem 10-fachen des Gerätegewichts tragen können. Befestigen Sie das Gerät mit einem Sicherheitskabel so, dass es nicht herunterfallen kann.

Befolgen Sie bei der Durchführung einer Installation immer die europäischen und nationalen Richtlinien bezüglich Rigging, Traversen und allen anderen Sicherheitsaspekten. Lassen Sie die Installation immer von einem autorisierten Fachhändler prüfen!

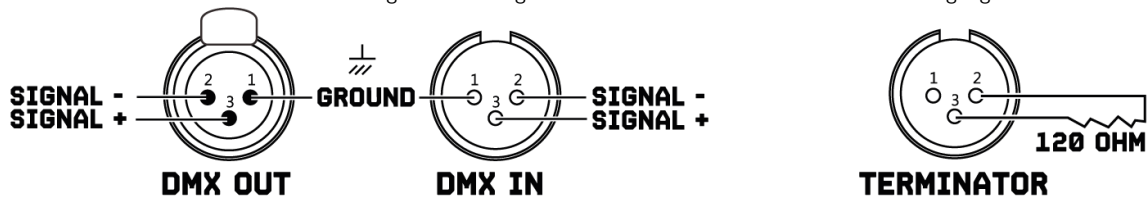


DMX BEDIENUNG

Wenn Sie einen Standard-DMX-Controller verwenden, können Sie den DMX-Ausgang des Controller direkt mit dem DMX-Eingang des ersten Geräts verbinden. Verbinden Sie den DMX-Ausgang immer mit dem nächsten DMX-Eingang des nächsten Geräts, bis alle Geräte angeschlossen sind.



Hinweis: Bei der letzten Gerät müssen Sie die DMX-Leitung mit einem Abschlusswiderstand schließen. Nehmen Sie einen XLR-Stecker und löten Sie einen 120-Ohm-Widerstand zwischen Signal (-) und Signal (+) und stecken Sie diesen in den DMX-Ausgang der letzten Gerät in der Leitung.



RF-FERNBEDIENUNG

- Wählen Sie den Gerätetyp aus, den Sie bedienen möchten:
 - Drücken Sie die Taste "Spot" dreimal, um die "Fuze" Spot Serie zu aktivieren.
 - Drücken Sie die Taste "Spot" dreimal, um die "Beam" Spot Serie zu aktivieren.
 - Drücken Sie die Taste "Spot" dreimal, um die "Wash" Spot Serie zu aktivieren.
- Drücken Sie die Taste "Dimmer", um die Helligkeit einzustellen. Drücken Sie dann die Taste "+" oder "-" direkt für die gewünschten Einstellungen.
- Drücken Sie die Taste "Strobe", um den Strobe-Effekt ein- und auszuschalten. Drücken Sie dann die Taste "+" oder "-" direkt für die gewünschten Einstellungen.
- Drücken Sie die Taste "SC" um die Geschwindigkeit des Sound-Programms oder die Empfindlichkeit der Klangregelung einzustellen.
- Drücken Sie die Taste "CS" um die Geschwindigkeit der Chase einzustellen oder um die Empfindlichkeit der Sprachsteuerung einzustellen.
- Drücken Sie die Taste "1-9", um eines der automatischen oder musikgesteuerten Programme auszuwählen.
- Drücken Sie die Taste "R" um alles zurückzusetzen.
- Drücken Sie die Taste "DMX", um den Betrieb über ein drahtgebundenes DMX-Signal auszuwählen.



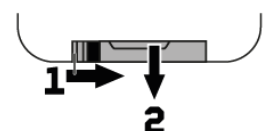
Tipps:

- die RF-Funktion aktiviert ist, kann das Gerät nicht über das DMX-Signal gesteuert werden und befindet sich im RF-Steuerungszustand. Jede Fernbedienung kann nur eine Serie von Geräten gleichzeitig steuern.
- Wenn die Wash-serie "Dimmer" und "Strobe" geöffnet werden, muss die Nummerntaste gedrückt werden, um die entsprechende Farbe zu leuchten. In diesem Modus kann die Zifferntaste nur das Farbrad, nicht aber die entsprechende Farbe für die Spot- und Beam-Serie umschalten.
- die RF-Funktion zu deaktivieren, gibt es die folgenden Methoden:
 - Wählen Sie den gewünschten Signaleingangsmodus, "DMX" kann die RF-Funktion verlassen.
 - Umstellung auf andere Geräteserien, "Spot", "Beam", "Wash", "Wash".
 - Drücken Sie die Menütaste auf dem Display.



Fernbedienung wird mit eingesetzter Batterie geliefert. Damit die Batterie während der Lagerung nicht entladen werden kann, befindet sich eine Isolierfolie zwischen der Batterie und den Batteriekontakten. Ziehen Sie vor dem ersten Betrieb die Folie auf der Rückseite der Fernbedienung aus dem Batteriehalter heraus. Anderenfalls ist die Fernbedienung nicht funktionstüchtig.

Wenn die Reichweite der Fernbedienung abnimmt, ersetzen Sie die Batterie. Drücken Sie dazu auf der Rückseite der Fernbedienung den kleinen Riegel mit der Kerbe nach rechts drücken (1) und ziehen Sie gleichzeitig den Batteriehalter heraus (2). Für den Betrieb der Fernbedienung wird eine 3-V-Knopfzelle Typ CR 2025 benötigt. Achten Sie beim Einsetzen darauf, dass der Pluspol der Knopfzelle im Halter nach oben zeigt.



REINIGUNG

Die Ansammlung von Staub, Schmutz und anderen Schwebstoffen reduziert die Lichtleistung der Leuchte. Es verhindert auch, dass das Gerät richtig abkühlt, was die Lebensdauer des Geräts verkürzt. Die Rate der Schmutzansammlung variiert je nach Umgebungsfaktoren wie luftgetragener Staub, Einsatz von Nebelmaschinen, Luftstrom aus Lüftungsanlagen usw. Die Rate der Schmutzansammlung variiert je nach Umgebung. Die Kühlgebläse des Geräts beschleunigen den Aufbau, und alle in der Atmosphäre vorhandenen Rauchpartikel erhöhen die Tendenz zur Verschmutzung.

Um die beste Leistung und Lebensdauer des Geräts zu erhalten, überprüfen und reinigen Sie das Gerät regelmäßig, sobald Sie Anzeichen von Schmutzansammlung feststellen.

Überprüfen Sie die Betriebsumgebung jedes Mal, wenn Sie das Gerät in Betrieb nehmen. Unter staubigen oder rauchigen Bedingungen sollte das Gerät nach einigen Stunden überprüft werden und regelmäßig überprüft werden, ob das Gerät schneller als erwartet Schmutz anziehen kann. Stellen Sie einen Reinigungsplan auf, der sicherstellt, dass Schmutz entfernt wird, bevor er sich ansammeln kann.

Verwenden Sie die folgenden Richtlinien:

- Trennen Sie das Gerät vom Stromnetz und lassen Sie es vor der Reinigung vollständig abkühlen.
- Verwenden Sie zur Reinigung des Geräts keine Lösungsmittel, Scheuermittel oder andere aggressive Produkte.
- Staubsaugen oder Niederdruck-Druckluft verwenden, um Staub und lose Partikel von Oberflächen und Lüftungsöffnungen zu entfernen. Vermeiden Sie es, die Lüfterblätter zu drehen, bevor Sie einen Vakuum- oder Luftstrom auf den Lüfter richten, da der Lüfter sonst zu schnell laufen und ihn beschädigen könnte.
- Reinigen Sie Glasteile, indem Sie sie vorsichtig mit einem weichen, sauberen, fusselreifen Tuch abwischen, das mit einer schwachen Reinigungslösung befeuchtet ist. Die Lösung auf das Tuch und nicht auf die zu reinigende Oberfläche geben. Vermeiden Sie es, Glasflächen zu reiben. Wenn Partikel am Glas haften bleiben, versuchen Sie, sie abzuheben, indem Sie sie wiederholt mit einem Wattebausch oder einem feuchten, fusselreifen Tuch tupfen.
- Trocknen Sie das Gerät mit einem weichen, sauberen, fusselreifen Tuch oder Niederdruck-Druckluft, bevor Sie das Gerät wieder mit Strom versorgen.

SICHERUNGWECHSEL

Wenn die Sicherung defekt ist, ersetzen Sie sie durch eine Sicherung gleichen Typs und gleicher Leistung. Um die Sicherung auszutauschen, schalten Sie zuerst die Stromversorgung aus und führen Sie die folgenden Schritte aus.



Vorgehensweise:

- Schritt 1: Öffnen Sie den Sicherungshalter auf der Rückseite mit einem geeigneten flachen Schraubendreher.
- Schritt 2: Entfernen Sie die alte Sicherung aus dem Sicherungshalter.
- Schritt 3: Setzen Sie die neue Sicherung in den Sicherungshalter ein.
- Schritt 4: Setzen Sie den Sicherungshalter in das Gehäuse ein.

FEHLERSUCHE

Die folgende Checkliste kann Ihnen im unwahrscheinlichen Fall helfen, dass während der Verwendung des Produkts ein Problem auftritt:

Symptom	Mögliche Ursache	Vorgeschlagene Aktion
Das Gerät reagiert nicht.	Keine Stromversorgung. Sicherung durchgebrannt oder interner Fehler.	Vergewissern Sie sich, dass das Gerät eingeschaltet ist. Überprüfen Sie die Kabel und Anschlüsse. Tauschen Sie die Hauptsicherung aus oder wenden Sie sich an den Beamz Support oder den autorisierten Beamz Servicepartner. Demontieren Sie keine Teile des Gehäuses. Versuchen Sie nicht, eine Sicherung auszutauschen oder Reparaturen oder Wartungsarbeiten durchzuführen, die nicht in dieser Bedienungsanleitung beschrieben sind, es sei denn, Sie haben die Erlaubnis von Beamz Support oder einem von Beamz autorisierten Servicepartner.
Das Gerät wird korrekt zurückgesetzt, reagiert jedoch nicht (oder nicht richtig) auf den Controller.	Der Controller ist nicht angeschlossen. Schlechte DMX-Leitung. Die DMX-Leitung hat keinen Abschlusswiderstand. Falsche Adressierung des Gerätes Ein Gerät ist defekt und stört die Datenübertragung auf der DMX-Leitung. Pin 2 und 3 sind in XLR-Verbindung vertauscht.	Verbinden Sie den Controller. Überprüfen Sie die Anschlüsse und Kabel. Korrigieren Sie schlechte Verbindungen. Reparieren oder ersetzen Sie beschädigte Kabel. Stecken Sie den DMX-Terminator-Stecker in den DMX-Ausgang des letzten Gerätes auf der DMX-Leitung. Überprüfen Sie die Einstellungen der Geräteadresse und des DMX-Modus. Entfernen Sie die DMX IN- und OUT-Stecker aus dem Gerät und verbinden Sie sie direkt miteinander, um jeweils ein Gerät zu umgehen, bis der normale Betrieb wiederhergestellt ist. Lassen Sie ein defektes Gerät von einem autorisierten Techniker warten. Überprüfen Sie die Anschlüsse und Kabel. Installieren Sie ein Phasenschieberkabel zwischen den Geräten oder tauschen Sie die Pins 2 und 3 in dem Gerät aus, das sich anders verhält.
Fehler nach dem Zurücksetzen des Geräts	Der Effekt erfordert eine mechanische Anpassung.	Überprüfen Sie die Softwareversion und die Fehlermeldungen des Gerätes für weitere Informationen. Wenden Sie sich an den Beamz Support oder an den autorisierten Beamz-Servicepartner.
Kein Lichtaustritt oder Licht ist intermittierend.	Gerät zu heiß LEDs defekt Die Stromversorgungseinstellungen passen nicht zur örtlichen Netzspannung und Frequenz.	Lassen Sie das Gerät abkühlen. Reduzieren Sie die Umgebungstemperatur. Achten Sie auf einen freien Luftstrom um das Gerät herum. Reinigen Sie das Gerät bei Bedarf. Trennen Sie das Gerät und kontaktieren Sie den Beamz Support oder einen von Beamz autorisierten Servicepartner. Trennen Sie das Gerät vom Stromnetz. Überprüfen Sie die Einstellungen und beheben Sie mögliche Fehler.

INSTRUCCIONES DE SEGURIDAD



ATENCIÓN! Antes de realizar cualquier operación con la unidad, lea atentamente este manual de instrucciones y guárdelo con cura para futuras consultas. Contiene información importante sobre la instalación, uso y mantenimiento de la unidad.

- Desembale y compruebe cuidadosamente que no haya daños de transporte antes de usar la unidad
- Lea atentamente estas instrucciones y siga las instrucciones.
- Observe todas las advertencias de seguridad. Nunca elimine las advertencias de seguridad u otra información del equipo.
- Asegúrese de que no haya ranuras de ventilación bloqueadas; de lo contrario la unidad se sobrecalentará.



PRECAUCIÓN: Antes de conectar el equipo a la toma de corriente, primero verifique que la tensión y la frecuencia de la red coincidan con los valores especificados en el equipo. Si el equipo tiene un interruptor de selección de voltaje, conecte el equipo a la toma de corriente solo si los valores del equipo y los valores de la red eléctrica coinciden. Si el cable de alimentación incluido o el adaptador de corriente no encaja en el tomacorriente de pared, comuníquese con su electricista.

- Después de conectar la unidad, verifique todos los cables para evitar daños o accidentes debido a peligros de tropiezos.
- Asegúrese de que el cable de alimentación nunca esté rizado o dañado. Compruebe el dispositivo y el cable de alimentación de vez en cuando.
- ¡Desconecte siempre la alimentación de la red eléctrica, cuando no se utilice el dispositivo o antes de limpiarlo! Sólo manipule el cable de alimentación por el enchufe. Nunca desenchufe el cable tirando del cable de alimentación.
- Desenchufe el cable de alimentación y el adaptador de alimentación de la toma de corriente si existe riesgo de que se caiga un rayo o antes de períodos prolongados de desuso.
- No encienda y apague la unidad en intervalos cortos.
- No conecte la unidad a un dimmerpack.
- Instale la unidad en un lugar bien ventilado.
- Nunca coloque ningún material sobre los leds o las lentes.
- Permita siempre un espacio libre de aire de al menos 50 cm alrededor de la unidad para la ventilación.
- Asegúrese de que el área que se encuentra debajo del lugar de instalación esté bloqueada al instalar, desmontar o reparar el accesorio.
- Para una altura de montaje superior a un metro, fije siempre el accesorio con una cuerda de seguridad adecuada. Fije la cuerda de seguridad únicamente en los puntos de fijación correctos. ¡La cuerda de seguridad no debe fijarse nunca en las asas de transporte!
- Nunca mire directamente al haz de luz. Tenga en cuenta que los cambios rápidos en la iluminación, y la luz intermitente, pueden desencadenar ataques epilépticos en personas fotosensibles o personas con epilepsia.
- Esta unidad no está diseñada para una operación permanente. Las interrupciones constantes de la operación garantizarán que el dispositivo le servirá durante mucho tiempo sin defectos.



PRECAUCIÓN: Si el cable de alimentación del dispositivo está equipado con un contacto de conexión a tierra, debe conectarse a una toma de corriente con una conexión a tierra de protección. Nunca desactive la conexión a tierra protectora de un cable de alimentación.

- Asegúrese de que la unidad no esté expuesta a calor extremo, humedad o polvo.
- Limpie la unidad con un paño seco.
- No toque el aparato con las manos descubiertas durante su funcionamiento (la carcasa se calienta mucho). Deje que el aparato se enfríe durante al menos 5 minutos antes de manipularlo.
- Esta unidad está diseñada exclusivamente para uso en interiores, no use este equipo en las inmediaciones del fluido (no se aplica a equipos especiales para exteriores, en este caso, siga las instrucciones especiales que se indican a continuación). No exponga esta unidad a materiales, líquidos o gases inflamables.
- Si la unidad ha estado expuesta a una fluctuación drástica de la temperatura (por ejemplo, después del transporte), no la encienda de inmediato. El agua de condensación que surge puede dañar su unidad. Deje la unidad apagada hasta que alcance la temperatura ambiente.
- Nunca intente pasar por alto el interruptor termostático o los fusibles.
- No desmonte ni modifique la unidad.
- Para reemplazo, use fusibles / bombilla del mismo tipo y clasificación solamente.
- Las reparaciones, el servicio y la conexión eléctrica deben ser llevados a cabo por un técnico calificado.
- La temperatura ambiente siempre debe estar entre -5°C y $+45^{\circ}\text{C}$.
- Si esta unidad se opera de una manera diferente a la descrita en este manual, el producto podría sufrir daños y la garantía quedará anulada.
- Las bolsas de plástico deben mantenerse fuera del alcance de los niños.
- La unidad debe instalarse fuera del alcance de los niños. Nunca deje la unidad funcionando sin supervisión..



Este símbolo en el producto o en su empaque indica que este producto no debe ser tratado como basura doméstica. En su lugar, se entregará al punto de recolección correspondiente para el reciclaje de equipos eléctricos y electrónicos.

Al garantizar que este producto se elimine correctamente, ayudará a evitar posibles consecuencias negativas para el medio ambiente y la salud humana, que de otro modo podrían ser causadas por el manejo inadecuado de los desechos de este producto. El reciclaje de materiales ayudará a conservar los recursos naturales. Para obtener información más detallada sobre el reciclaje de este producto, comuníquese con su Oficina Cívica local, el servicio de eliminación de desechos domésticos o la tienda donde adquirió el producto.

INSTRUCCIONES DE DESEMBALAJE

PRECAUCIÓN! Inmediatamente después de recibir el producto, desembale la caja con cuidado, verifique el contenido para asegurarse de que todas las partes estén presentes y se hayan recibido en buenas condiciones. Notifique al remitente de inmediato y guarde el material de empaque para inspeccionarlo si aparecen piezas dañadas por el envío o si el propio paquete muestra signos de mal manejo. Guarde el paquete y todos los materiales de embalaje. En el caso de que el producto deba devolverse a la fábrica, es importante que el producto se devuelva en la caja y empaque originales de fábrica.

Si el dispositivo ha estado expuesto a una drástica fluctuación de la temperatura (por ejemplo, después del transporte), no lo encienda de inmediato. El agua de condensación que surge podría dañar su dispositivo. Deje el dispositivo apagado hasta que alcance la temperatura ambiente.

FUENTE DE ALIMENTACIÓN

En la etiqueta que se encuentra en la parte posterior del producto, se indica que este tipo de fuente de alimentación debe estar conectada. Verifique que la tensión de la red corresponda a esto, todos los demás voltajes que los especificados, el efecto de la luz puede dañarse irreparablemente. El producto también debe estar conectado directamente a la red eléctrica y se puede utilizar.

La unidad incorpora una salida de alimentación powercon. Dependiendo de la alimentación local, varias unidades pueden linkarse por powercon in y out. Conecte un máximo de cuatro unidades (si usa toma 230V/16A) en una sola fila. Use cable apropiado de 3 hilos con una sección de al menos 1.5 mm². Las instrucciones del fabricante y del código de colores de conexión deben seguirse siempre. No desconecte la unidad desde el conector powercon, use el interruptor on/off o desconecte del schuko!

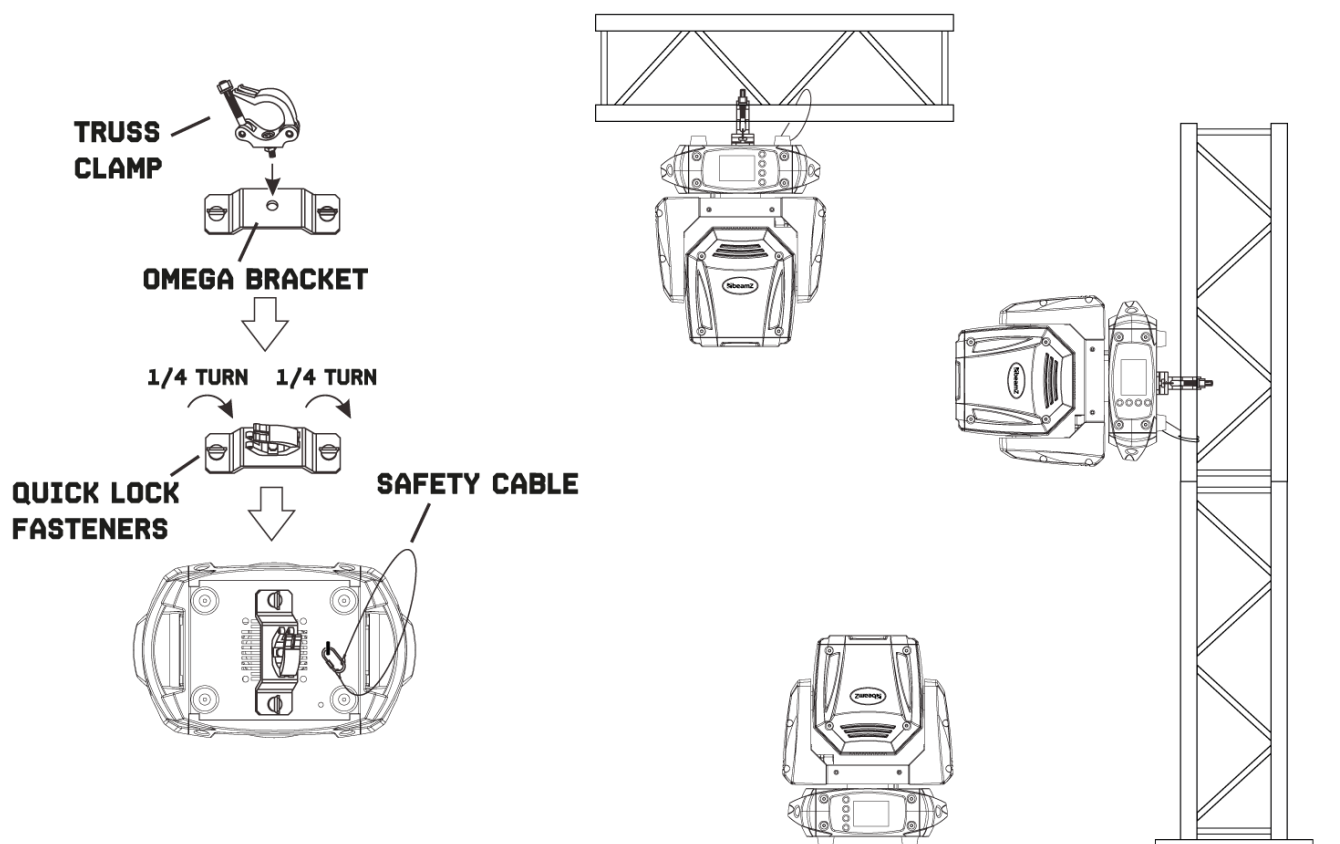


Siempre conecte el dispositivo a un circuito protegido (disyuntor o fusible). Asegúrese de que el dispositivo tenga una toma de tierra eléctrica adecuada para evitar el riesgo de electrocución o incendio.

INSTALACIÓN

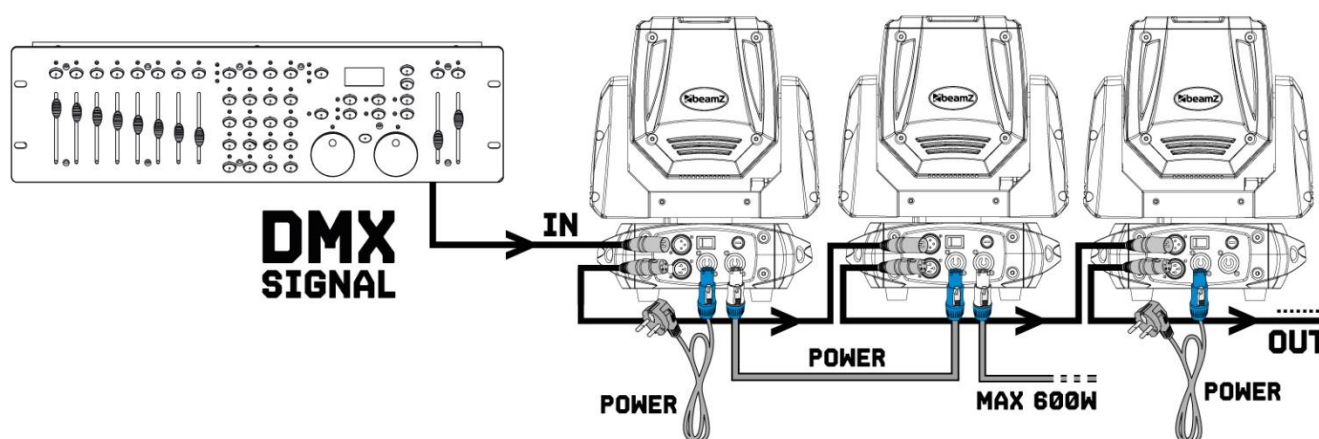
El accesorio se puede instalar en una superficie estable y uniforme. Por medio de las instalaciones de fijación de la placa de base, la unidad también se puede montar boca abajo a un truss, vea la imagen de abajo. Para la fijación, se requieren abrazaderas certificadas con la carga de trabajo correcta. Según la figura, los pernos de bloqueo rápido de los soportes omega se colocan en las aberturas provistas en la placa base y se giran en el sentido de las agujas del reloj hasta que se bloquean (hasta el tope). El lugar de montaje debe ser lo suficientemente estable y ser capaz de soportar un peso de 10 veces el peso de la unidad. Asegure el accesorio con un cable de seguridad para que no pueda caerse.

Al realizar cualquier instalación, siempre cumpla con las directrices europeas y nacionales relativas a aparejos, armazones y todos los demás problemas de seguridad. Deje siempre la instalación revisada por un distribuidor autorizado!

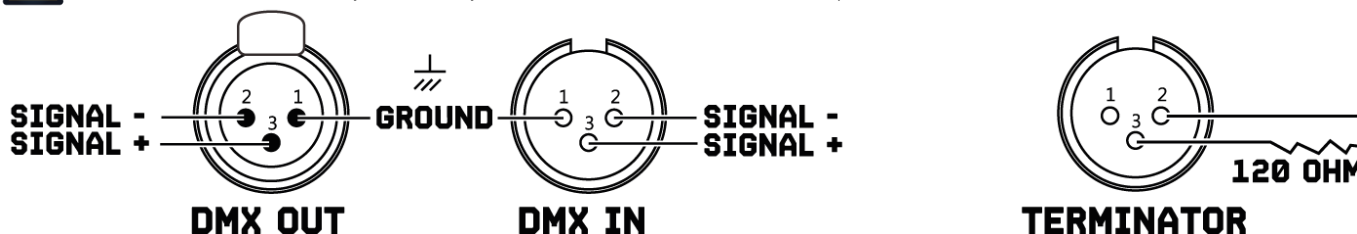


CONTROL DMX512

Si está utilizando un controlador DMX estándar, puede conectar la salida DMX del controlador directamente a la entrada DMX del primer dispositivo en una cadena DMX. Siempre conecte la salida de una unidad con la entrada del siguiente dispositivo hasta que todos los dispositivos estén conectados.



Precaución: En el último aparato, debe cerrar la línea DMX con una resistencia de terminación. Tome un conector XLR y suelde una resistencia de 120 Ohm entre la señal (-) y la señal (+) y conéctela a la salida DMX del último dispositivo en la línea.



RF CONTROL REMOTO

1. Seleccione el tipo de accesorio que controlará:
 - Presione repetidamente 3 veces el botón "Spot" para activar la serie Fuze Spot
 - Presione repetidamente 3 veces el botón "Beam" para activar la serie Beam
 - Presione repetidamente 3 veces el botón "Wash" para activar la serie Wash
2. Presione el botón "Dimmer" para ajustar el brillo. Presione directamente en el botón "+" o "-" para los ajustes deseados.
3. Presione el botón "Strobe" para activar / desactivar el efecto estroboscópico. Presione directamente en el botón "+" o "-" para los ajustes deseados.
4. Presione el botón "Sound" para ajustar la velocidad del programa de sonido o ajustar la sensibilidad del control de sonido.
5. Presione el botón "Auto" para ajustar la velocidad de la persecución o ajustar la sensibilidad del control de voz.
6. Presione el botón "1-9" para seleccionar uno de los programas automáticos o activados por sonido.
7. Presione el botón "" para reiniciar todo.
8. Presione el botón "DMX" para seleccionar el control a través de la señal DMX cableada.

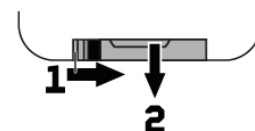


Consejos:

1. Cuando se activa la función de RF, no se controlará con la señal DMX. Cada control remoto solo puede controlar una serie de dispositivos al mismo tiempo.
2. Cuando la serie Wash abre "Dimmer" y "Strobe", debe presionar el botón numérico para iluminar el color correspondiente. En este modo, el botón numérico solo puede cambiar la rueda de color, pero no el color de tecla correspondiente para las series Spot y Beam.
3. Para desactivar la función de RF, existen los siguientes métodos:
 - a) Seleccione el modo de entrada de señal necesario, "DMX" puede salir de la función de RF.
 - b) Cambie a otra serie de accesorios "Spot", "Beam", "Wash".
 - c) Presione el botón de menú del panel de visualización

! El mando a distancia se suministra con batería. Para prevenir la descarga durante el transporte, una hoja aislante esta insertada entre la batería y los contactos. Antes de poner en marcha el aparato por primera vez, retire esta hoja aislante de la parte trasera del mando. En caso contrario el mando no funcionara.

Si el rango de actuación del mando disminuye, cambie la pila por una nueva. Para hacer esto, pulse la pequeña barra de la trasera del mando y desplace a la derecha y retire la pila de su soporte (2). El mando utiliza pilas 3 V de tipo botón.



LIMPIEZA

La acumulación de polvo, suciedad y otras partículas en el aire reducirá la salida de luz del accesorio. También evitará que el dispositivo se enfríe correctamente, y esto reducirá la vida útil del dispositivo. La tasa de acumulación de suciedad variará según los factores ambientales, como el polvo en el aire, el uso de máquinas de humo, el flujo de aire de los sistemas de ventilación, etc. Los ventiladores de enfriamiento del dispositivo acelerarán la acumulación, y cualquier partícula de humo que esté presente en la atmósfera aumentará la tendencia para que la suciedad se atasque.

Para obtener el mejor rendimiento y vida útil del accesorio, inspeccione regularmente y límpielo tan pronto como vea signos de acumulación de suciedad.

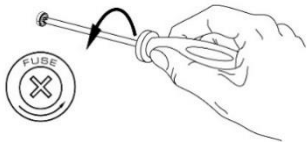
Evalúe el entorno operativo cada vez que comience a utilizar el dispositivo. En condiciones de mucho polvo o humo, inspeccione el dispositivo después de unas horas y verifique si el dispositivo atrae la suciedad más rápido de lo que usted espera. Elabore un programa de limpieza que asegure que se elimine la suciedad antes de que se acumule.

Utilice las siguientes pautas:

- Desconecte el artefacto del aparato y deje que se enfríe completamente antes de limpiarlo.
- No utilice disolventes, abrasivos ni ningún otro producto agresivo para limpiar el accesorio.
- Aspire o utilice aire comprimido a baja presión para eliminar el polvo y las partículas sueltas de las superficies y las salidas de aire. Evite que las aspas de los ventiladores de enfriamiento giren antes de apuntar una aspiradora o chorro de aire hacia el ventilador, o puede girar el ventilador demasiado rápido y dañarlo.
- Limpie los componentes de vidrio con un paño suave, limpio y sin pelusa humedecido con una solución detergente suave. Ponga la solución en el paño y no en la superficie a limpiar. Evite frotar las superficies de vidrio. Si las partículas están pegadas al vidrio, intente quitarlas frotándolas repetidamente con un algodón o un paño humedecido que no suelte pelusa.
- Seque el accesorio con un paño suave, limpio y sin pelusas o con aire comprimido a baja presión antes de volver a aplicar la energía.

CAMBIANDO EL FUSIBLE

Si el fusible está defectuoso, sustitúyalo por un fusible del mismo tipo y valor. Antes de cambiar el fusible, desenchufe el cable de alimentación.



Procedimiento:

Paso 1: Abra el portafusibles en el panel trasero con un destornillador adecuado.

Paso 2: Retire el fusible viejo del portafusibles.

Paso 3: Instale el nuevo fusible en el portafusibles.

Paso 4: Reemplace el portafusibles en la carcasa.

SOLUCIÓN DE PROBLEMAS

La siguiente lista de verificación puede ayudarle a resolver problemas en el caso de que ocurra un fallo al utilizar el producto:

Síntoma	Posible causa	Acción sugerida
No hay respuesta del aparato.	No llega alimentación Fusible quemado o fallo interno.	Compruebe que la alimentación esté encendida. Comprobar cables y conexiones. Reemplace el fusible o póngase en contacto con el servicio técnico de Beamz o con un servicio autorizado de Beamz. No quite las cubiertas de la base. No intente reemplazar un fusible ni realizar reparaciones o reparaciones que no se describen en este Manual del usuario, a menos que cuente con la autorización del servicio técnico de Beamz o de un servicio autorizado de Beamz.
El aparato se reinicia correctamente pero no responde (o no responde correctamente) al controlador.	El controlador no está conectado. Mala línea DMX. La línea DMX no tiene resistencia final. Direccionamiento incorrecto del aparato. Un aparato está defectuoso y está alterando la transmisión de datos en la línea DMX. Pin 2 y 3 están invertidos en la conexión XLR.	Conecte el controlador. Inspeccionar conexiones y cables. Corregir conexiones malas. Repare o reemplace los cables dañados. Inserte el conector del terminador DMX en el zócalo de salida de datos del último dispositivo en la línea DMX. Verifique la dirección del aparato y la configuración del modo DMX. Desenchufe los conectores DMX IN y OUT y conéctelos directamente para evitar un dispositivo a la vez hasta que se recupere el funcionamiento normal. Haga reparar el artefacto defectuoso por un técnico autorizado. Inspeccionar conexiones y cables. Instale un cable de inversión de fase entre los dispositivos o intercambie los pines 2 y 3 en el dispositivo, que se comporta de forma errática.
Error después del reinicio del aparato.	El efecto requiere ajuste mecánico.	Verifique la versión del software del aparato y los mensajes de error para obtener más información. Póngase en contacto con el servicio de asistencia de Beamz o con un servicio autorizado de Beamz.
La salida de luz se corta intermitentemente.	El aparato está muy caliente LEDs dañados La configuración de la fuente de alimentación no coincide con la tensión de CA local y frecuencia.	Permita que el accesorio se enfríe. Reducir la temperatura ambiente. Asegure el flujo de aire libre alrededor del accesorio. Limpie el accesorio si es necesario. Desconecte el accesorio y póngase en contacto con el servicio técnico de Beamz Desconecte el accesorio. Compruebe la configuración y corregir si es necesario.

INSTRUCTIONS DE SECURITE



AVERTISSEMENT! Avant d'effectuer toute manipulation sur l'appareil, lisez avec attention la présente notice et conservez-la pour pouvoir vous y reporter ultérieurement. Elle contient des informations importantes sur l'installation, l'utilisation et l'entretien de l'appareil.

- Déballiez l'appareil, vérifiez soigneusement qu'il n'y a pas de dommages dus au transport avant de l'utiliser.
- Veuillez lire attentivement ces instructions et les suivre.
- Respectez tous les avertissements de sécurité. Ne retirez jamais les avertissements de sécurité ou autres informations figurant sur l'appareil.
- Assurez-vous qu'aucune ouïe d'aération n'est obstruée, sinon il y a risque de surchauffe de l'appareil.



ATTENTION : Avant de brancher l'appareil à une prise d'alimentation, assurez-vous tout d'abord que la tension et la fréquence du secteur correspondent aux valeurs spécifiées sur l'appareil. S'il est équipé d'un sélecteur de tension, ne branchez l'appareil à la prise de courant que si les valeurs de l'appareil et celles de l'alimentation secteur correspondent. Si le cordon d'alimentation ou l'adaptateur secteur fourni ne s'adapte pas à votre prise murale, contactez votre électricien.

- Après avoir branché l'appareil, vérifiez tous les câbles afin d'éviter tout dommage ou accident, par exemple pour ne pas trébucher.
- Assurez-vous que le cordon d'alimentation n'est jamais serti ou endommagé. Vérifiez régulièrement l'appareil et le cordon d'alimentation.
- Débranchez toujours le cordon d'alimentation du secteur lorsque l'appareil n'est pas utilisé ou avant de le nettoyer ! Ne manipulez le cordon d'alimentation que par la fiche. Ne débranchez jamais la fiche en tirant sur le cordon d'alimentation.
- Débranchez le cordon d'alimentation et l'adaptateur secteur de la prise de courant s'il y a un risque de foudre ou avant une longue période d'inutilisation.
- N'allumez et n'éteignez pas l'appareil à intervalles rapprochés.
- Ne connectez pas l'appareil à un gradateur.
- Installez l'appareil dans un endroit bien ventilé.
- Ne placez jamais de matériau sur l'objectif.
- Laissez toujours un espace libre de 50 cm au moins autour de l'appareil pour assurer une ventilation correcte.
- Veillez à ce que la zone située sous le lieu de montage soit toujours inaccessible au public lors de l'installation ou de l'entretien de l'appareil.
- Pour une hauteur de montage >100 cm, fixez toujours l'appareil avec une élingue de sécurité idoine. Fixez l'élingue uniquement aux points de fixation. L'élingue de sécurité ne doit jamais être fixée aux poignées de transport!
- Ne regardez jamais directement le faisceau lumineux. Gardez présent à l'esprit que des changements rapides de lumière, par exemple une lumière clignotante, peuvent déclencher des crises d'épilepsie chez les personnes photosensibles ou épileptiques.
- Cet appareil n'est pas conçu pour fonctionner en permanence. Des pauses d'utilisation régulières assureront un fonctionnement sans problème sur le long terme.



ATTENTION : Si le cordon d'alimentation de l'appareil est équipé d'un contact de mise à la terre, il doit être connecté à une prise de courant avec une terre de protection. Ne jamais désactiver la terre de protection d'un cordon d'alimentation.

- Assurez-vous que l'appareil n'est pas exposé à une chaleur extrême, à l'humidité ou à la poussière.
- Nettoyez l'appareil à l'aide d'un chiffon sec.
- Ne touchez pas le projecteur à mains nues pendant son fonctionnement (le boîtier devient très chaud). Laissez le projecteur refroidir pendant 5 minutes au moins avant de le manipuler.
- Cet appareil est conçu exclusivement pour une utilisation à l'intérieur, n'utilisez pas cet appareil à proximité immédiate d'un liquide (ne s'applique pas aux équipements extérieurs spéciaux - dans ce cas, respectez les instructions spéciales indiquées ci-dessous). N'exposez pas cet appareil à des matériaux, liquides ou gaz inflammables.
- Si l'appareil a été exposé à des variations de température importantes (par ex. après un transport), ne l'allumez pas immédiatement. La condensation pourrait endommager votre appareil. Laissez l'appareil éteint jusqu'à ce qu'il atteigne la température ambiante.
- N'essayez jamais de bridger l'interrupteur thermostatique ou les fusibles.
- Ne démontez pas ou ne modifiez pas l'appareil.
- Pour le remplacement, utilisez uniquement des fusibles/ampoules de même type et de même puissance.
- Les réparations, l'entretien et le raccordement électrique ne doivent être effectués que par un technicien qualifié.
- La température ambiante doit toujours être comprise entre -5° C et +45° C.
- Si cet appareil est utilisé dans un but autre que celui décrit dans ce manuel, il peut subir des dommages, dans ce cas, la garantie est caduque.
- Les sacs en plastique doivent être gardés hors de portée des enfants.
- L'appareil doit être installé hors de portée des enfants. Ne laissez jamais l'appareil en marche sans surveillance.



Ce symbole sur le produit ou sur son emballage indique que ce produit ne doit pas être traité comme un déchet ménager. Il doit être déposé au point de collecte approprié pour le recyclage des équipements électriques et électroniques.

En vous assurant que ce produit est éliminé correctement, vous contribuerez à prévenir les conséquences négatives potentielles pour l'environnement et la santé humaine, qui pourraient autrement être causées par une manipulation inappropriée des déchets de ce produit. Le recyclage des matériaux contribuera à préserver les ressources naturelles. Pour de plus amples informations sur le recyclage de ce produit, veuillez contacter votre bureau municipal local, votre service d'élimination des déchets ménagers ou le magasin où vous avez acheté le produit.

INSTRUCTIONS DE DEBALLAGE

ATTENTION ! Dès réception du produit, déballez soigneusement le carton, vérifiez son contenu pour vous assurer que toutes les pièces sont présentes et qu'elles ont été reçues en bon état. Avisez immédiatement l'expéditeur et conservez le matériel d'emballage ; contrôlez si des pièces semblent endommagées lors de l'expédition ou si le colis lui-même montre des signes de mauvaise manipulation. Conservez l'emballage et tout le matériel d'emballage. Dans le cas où le produit doit être retourné à l'usine, il est important que le produit soit retourné dans son emballage d'origine.

Si l'appareil a été exposé à des variations de température importantes (par ex. après un transport), ne l'allumez pas immédiatement. La condensation pourrait endommager votre appareil. Laissez l'appareil éteint jusqu'à ce qu'il atteigne la température ambiante.

ALIMENTATION

Le type d'alimentation auquel le produit doit être connecté est indiqué sur l'étiquette à l'arrière du produit. Vérifiez que la tension secteur corresponde à cette tension, toutes les autres tensions que celles spécifiées peuvent endommager l'appareil. Le produit doit également être branché directement sur le secteur et peut être utilisé. Pas de gradateur ni d'alimentation réglable.

L'appareil est équipé d'un connecteur de sortie d'alimentation. En fonction des conditions locales, plusieurs appareils peuvent être reliés entre eux par l'entrée et la sortie du bloc d'alimentation. Connectez un maximum de quatre unités (si vous utilisez une tension de 230V/16A) à la suite. Utilisez un câble trois conducteurs homologué avec une section de 1,5 mm² au moins. Respectez les instructions de montage du fabricant et le code couleur du câble. N'éteignez pas l'appareil en retirant le cordon d'alimentation, mais utilisez l'interrupteur marche/arrêt ou schuko !

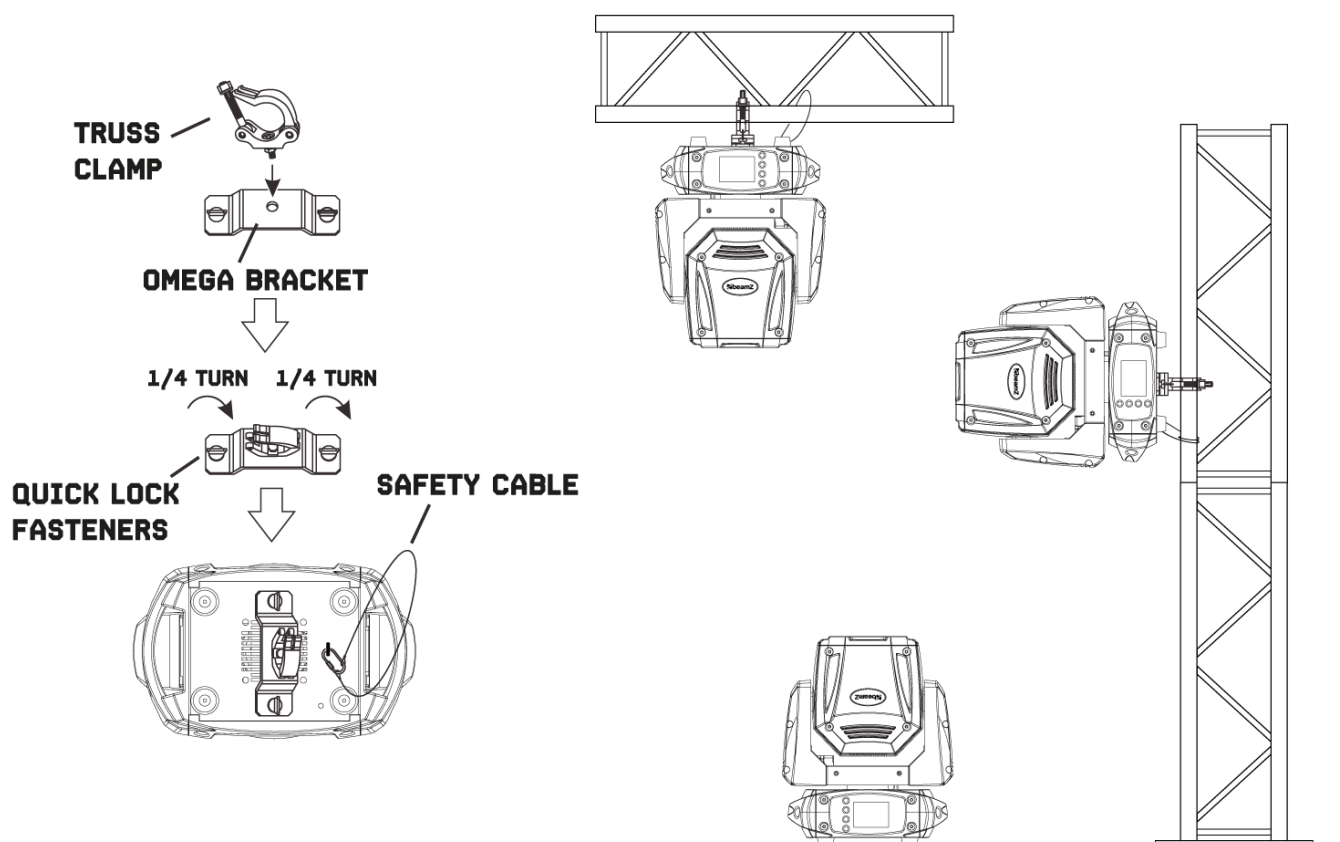


Reliez toujours l'appareil à un circuit protégé (disjoncteur ou fusible). Assurez-vous que l'appareil dispose d'une mise à la terre électrique appropriée pour éviter tout risque d'électrocution ou d'incendie.

FIXATION

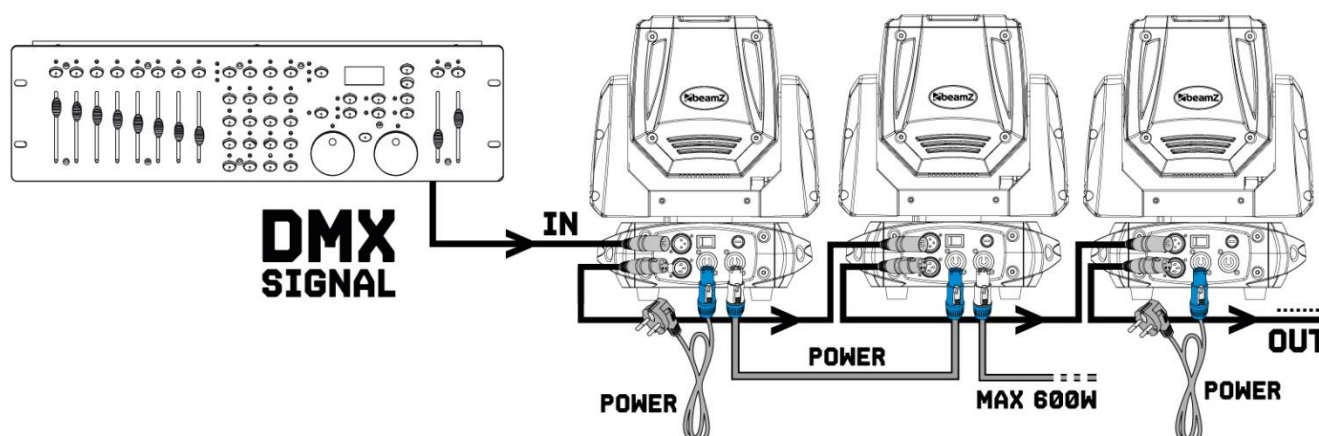
L'appareil peut être installé sur une surface stable et plane. Grâce aux possibilités de fixation de la plaque de base, l'appareil peut également être monté à l'envers sur une poutrelle, voir photo ci-dessous. Pour la fixation, il est nécessaire d'utiliser des colliers de serrage certifiés avec une capacité de charge correspondante. Comme indiqué sur le schéma, les boulons de verrouillage rapide des supports oméga sont placés dans les ouvertures prévues à cet effet dans la plaque de base et tournés dans le sens des aiguilles d'une montre jusqu'à leur blocage (jusqu'à la butée). L'emplacement de montage doit être suffisamment stable et pouvoir supporter un poids égal à 10 fois le poids de l'appareil. Fixez l'appareil à l'aide d'une élingue de sécurité afin qu'il ne puisse pas tomber.

Lors de toute installation, respectez toujours les directives européennes et nationales concernant l'accrochage des produits, les structures et toutes les autres questions de sécurité. Faites toujours vérifier l'installation par un revendeur agréé !

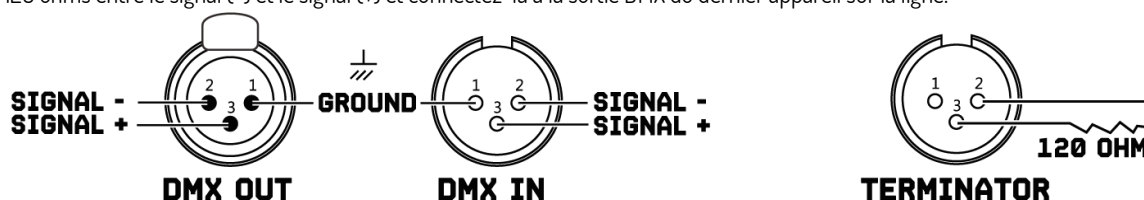


GESTION DMX512

Si vous utilisez un contrôleur DMX standard, vous pouvez connecter la sortie DMX du contrôleur directement à l'entrée DMX du premier appareil dans une chaîne DMX. Connectez toujours la sortie d'un appareil à l'entrée de l'appareil suivant jusqu'à ce que tous les appareils soient connectés entre eux.



Attention : sur le dernier appareil, vous devez terminer la ligne DMX avec une résistance. Prenez un connecteur XLR et soudez une résistance de 120 ohms entre le signal (-) et le signal (+) et connectez-la à la sortie DMX du dernier appareil sur la ligne.



TELECOMMANDE RF

- Sélectionnez le type d'appareil que vous souhaitez contrôler :
 - Appuyez 3 fois sur la touche "Spot" pour activer la fonction Fuze Spot
 - Appuyez 3 fois sur la touche "Beam" pour activer la fonction Beam Spot
 - Appuyez 3 fois sur la touche "Wash" pour activer la fonction Wash Spot
- Appuyez sur la touche "Dimmer" pour régler la luminosité. Appuyez directement sur la touche "+" ou "-" pour les réglages souhaités.
- Appuyez sur la touche "Strobe" pour activer / désactiver l'effet Stroboscope. Appuyez directement sur la touche "+" ou "-" pour les réglages voulus.
- Appuyez sur la touche "MUSIC" pour régler la vitesse du programme sonore ou régler la sensibilité de la gestion audio.
- Appuyez sur la touche "VOCAL" pour régler la vitesse du chase ou régler la sensibilité de la commande vocale.
- Appuyez sur la touche "1-9" pour sélectionner l'un des programmes activés automatiquement ou par le son.
- Appuyez sur la touche "REINIT" pour tout réinitialiser.
- Appuyez sur la touche "DMX" pour sélectionner la gestion via le signal DMX filaire.



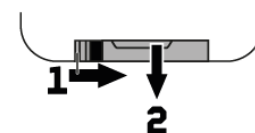
Remarque:

- Lorsque la fonction RF est activée, la lampe ne sera pas contrôlée par le signal DMX et la lampe est en mode de gestion RF. Chaque télécommande ne peut commander qu'une série d'appareils en même temps.
- Lorsque la fonction Wash ouvre "Dimmer" et "Strobe", il faut appuyer sur la touche numérique pour éclaircir la couleur correspondante. Dans ce mode, la touche numérique ne peut changer que la roue de couleurs, pas la couleur correspondante pour les fonctions Spot et Beam.
- Pour désactiver la fonction RF, vous disposez des méthodes suivantes :
 - Sélectionnez le mode d'entrée de signal souhaité, "DMX" peut quitter la fonction RF.
 - Passez à d'autres séries d'appareils "Spot", "Beam", "Wash".
 - Appuyez sur la touche Menu de l'écran d'affichage.



La télécommande est livrée avec une batterie. Une feuille de protection placée entre la batterie et les contacts évite que la batterie ne se décharge pendant le stockage. Avant la première utilisation, retirez la feuille de protection du support de batterie sur la face arrière de la télécommande. Sinon, la télécommande ne peut pas fonctionner.

Si la portée de la télécommande diminue, remplacez la batterie. Sur la face arrière de la télécommande, appuyez sur la petite languette avec la fente vers la droite (1) et simultanément, retirez le support de batterie (2). Une pile bouton 3 V, type CR2025 est nécessaire. Veillez à respecter la polarité, pôle plus de la pile bouton vers le haut.



NETTOYAGE

L'accumulation de poussière, de saleté et d'autres particules en suspension dans l'air réduira le rendement lumineux de l'appareil. Cela empêchera également le projecteur de refroidir correctement, ce qui réduira sa durée de vie. Le taux d'accumulation de saleté varie en fonction de facteurs environnementaux tels que la poussière en suspension dans l'air, l'utilisation de machines à fumée, le débit d'air des systèmes de ventilation, etc. Les ventilateurs de refroidissement de l'appareil accélèrent l'accumulation et les particules de fumée présentes dans l'atmosphère augmentent la tendance à l'encrassement.

Pour obtenir le meilleur rendement et la meilleure durée de vie de l'appareil, inspectez-le régulièrement et nettoyez-le dès que vous voyez des signes d'accumulation de saleté.

Évaluez l'environnement de fonctionnement à chaque utilisation du projecteur. Dans des conditions poussiéreuses ou enfumées, inspectez le projecteur après quelques heures et vérifiez fréquemment s'il capte la saleté plus rapidement que vous ne le pensez. Établissez un calendrier de nettoyage qui permettra d'éliminer la saleté avant qu'elle ne s'accumule.

Suivez les directives suivantes :

- Débranchez le projecteur du secteur et laissez-le refroidir complètement avant de le nettoyer.
- N'utilisez pas de solvants, d'abrasifs ou tout autre produit agressif pour nettoyer l'appareil.
- Passez l'aspirateur ou utilisez de l'air comprimé à basse pression pour enlever la poussière et les particules libres des surfaces et des ouïes d'aération. Empêchez les pales des ventilateurs de tourner avant de diriger un aspirateur ou un jet d'air vers le ventilateur, sinon vous risquez de faire tourner le ventilateur trop rapidement et de l'endommager.
- Nettoyez les composants en verre en les essuyant doucement avec un chiffon doux, propre, non pelucheux et humidifié avec une solution détergente douce. Posez la solution sur le chiffon et non sur la surface à nettoyer. Évitez de frotter les surfaces vitrées. Si des particules sont collées au verre, essayez de les enlever en les tamponnant à plusieurs reprises avec un coton-tige ou un chiffon humide non pelucheux.
- Séchez le projecteur avec un chiffon doux, propre et non pelucheux ou avec de l'air comprimé basse pression avant de le remettre sous tension.

REPLACEMENT DU FUSIBLE

Si le fusible est défectueux, remplacez-le par un fusible de même type et valeur. Avant de remplacer le fusible, débranchez le cordon secteur.



Procédure:

Étape 1 : Ouvrez le porte-fusible sur la face arrière avec un tournevis.

Étape 2 : Retirez l'ancien fusible du porte-fusible.

Étape 3 : Installez le nouveau fusible dans le porte-fusible.

Étape 4 : Remplacez le porte-fusible dans le boîtier.

RESOLUTION DE PROBLEMES

La liste ci-dessous peut vous aider en cas de problèmes lors de l'utilisation du produit.

Symptôme	Cause possible	Action suggérée
Pas de réponse de l'appareil.	L'appareil n'est pas alimenté. Le fusible a fondu ou problème interne.	Vérifiez que l'appareil est sous tension. Vérifiez les câbles et branchements. Remplacer le fusible moyen ou contacter le support Beamz ou un partenaire de service agréé Beamz. N'enlevez pas les couvercles de la base. N'essayez pas de remplacer un fusible ou d'effectuer des réparations ou un entretien qui ne sont pas décrits dans ce manuel d'utilisation à moins d'avoir l'autorisation du support Beamz ou du service autorisé Beamz.
L'appareil se réinitialise correctement mais ne répond pas (ou ne répond pas correctement) au contrôleur.	Le contrôleur DMX n'est pas relié. Mauvaise ligne DMX. La ligne DMX n'a pas de résistance terminale. Mauvais adressage de l'appareil. Un appareil est défectueux et perturbe la transmission des données dans la ligne DMX. Les pins 2 et 3 sont inversés dans la connexion XLR.	Reliez le contrôleur. Vérifiez les branchements et les câbles. Réparez ou remplacez les câbles défectueux. Insérez un bouchon DMX dans la prise de sortie DMX sur le dernier appareil de la ligne DMX. Vérifiez l'adresse de l'appareil et les réglages DMX. Débranchez les connecteurs DMX IN et OUT et reliez-les directement ensemble pour bridger un appareil à la fois jusqu'à ce que le fonctionnement soit rétabli. Faites appel à un technicien qualifié pour réparer l'appareil. Vérifiez les câbles et branchements. Installez un câble inversion de phase entre les appareils ou remplacez les broches 2 et 3 dans l'appareil qui se comporte de manière erratique.
Erreur après réinitialisation.	L'effet nécessite un réglage mécanique.	Vérifiez la version du logiciel de l'appareil et les messages d'erreur pour plus d'informations. Contacter le service après-vente Beamz ou un partenaire de service agréé Beamz.
Le flux lumineux coupe de manière intermittente.	L'appareil est trop chaud. Les LEDs sont endommagées Les réglages de l'alimentation ne correspondent pas à la tension AC et à la fréquence locales.	Laisser refroidir l'appareil. Réduire la température ambiante. Veillez à ce que l'air circule librement autour de l'appareil. Nettoyer l'appareil si nécessaire. Débrancher l'appareil et contacter le service après-vente Beamz ou un partenaire agréé Beamz.. Débranchez l'appareil. Vérifiez les réglages et corrigez si besoin.

INSTRUKCJA BEZPIECZEŃSTWA



OSTRZEŻENIE! Przed przystąpieniem do jakichkolwiek czynności związanych z urządzeniem, należy uważnie przeczytać niniejszą instrukcję i zachować ją z lekarstwem na przyszłość. Zawiera ważne informacje dotyczące instalacji, użytkowania i konserwacji urządzenia.

- Rozpakuj i sprawdź dokładnie, czy nie ma żadnych uszkodzeń transportowych przed użyciem urządzenia
- Przeczytaj uważnie te instrukcje i postępuj zgodnie z instrukcjami.
- Przestrzegaj wszystkich ostrzeżeń dotyczących bezpieczeństwa.
- Upewnij się, że żadne otwory wentylacyjne nie są zablokowane; w przeciwnym razie urządzenie się przegrzeje.



UWAGA: Przed podłączeniem urządzenia do gniazdka sieciowego należy najpierw sprawdzić, czy napięcie i częstotliwość sieci są zgodne z wartościami podanymi na urządzeniu. Jeśli urządzenie ma przełącznik wyboru napięcia, podłącz urządzenie do gniazdka sieciowego tylko wtedy, gdy wartości urządzeń i wartości sieciowe są zgodne. Jeśli dołączony przewód zasilający lub zasilacz nie pasują do gniazdka ściennego, skontaktuj się z elektrykiem.

- Po podłączeniu urządzenia sprawdź wszystkie kable, aby zapobiec uszkodzeniom lub wypadkom, na przykład z powodu potknięć.
- Upewnij się, że przewód zasilający nie jest zaciśnięty ani uszkodzony. Od czasu do czasu sprawdzaj urządzenie i przewód zasilający.
- Zawsze odłączaj zasilanie z sieci, gdy urządzenie nie jest używane lub przed czyszczeniem! Obsługuj przewód zasilający tylko za wtyczkę. Nigdy nie wyciągaj wtyczki, ciągnąc za przewód zasilający.
- Odłącz przewód zasilający i zasilacz od gniazdka, jeśli istnieje ryzyko uderzenia pioruna lub przed dłuższymi przerwami w pracy.
- Nie włączaj i wyłączaj urządzenia w krótkich odstępach czasu.
- Nie podłączaj urządzenia do dimmerpada.
- Zainstaluj urządzenie w dobrze wentylowanym miejscu.
- Nigdy nie kłaść żadnych materiałów na obiektywie.
- Zawsze należy zapewnić swobodną przestrzeń powietrzną o wysokości co najmniej 50 cm wokół urządzenia w celu wentylacji.
- Upewnij się, że obszar pod miejscem instalacji jest zablokowany podczas montażu, opróżniania lub serwisowania urządzenia.
- W przypadku wysokości montażu > 100 cm zawsze należy zamocować urządzenie odpowiednią liną zabezpieczającą. Przymocuj linę zabezpieczającą tylko w poprawnych punktach mocowania. Linka zabezpieczająca nie może być nigdy zamocowana na uchwytach transportowych!
- Nigdy nie patrz bezpośrednio na wiązkę światła. Zwróć uwagę, że szybkie zmiany w oświetleniu, np. szybko migające światło, może wywoływać napady padaczkowe u osób światłoczułych lub z padaczką.
- To urządzenie nie jest przeznaczone do ciągłej pracy. Spójne przerwy w działaniu zapewnią, że urządzenie będzie służyć przez długi czas bez wad.



UWAGA: Jeśli przewód zasilający urządzenia jest wyposażony w styk uziemiający, należy go podłączyć do gniazda z uziemieniem ochronnym. Nigdy nie należy dezaktywować uziemienia ochronnego przewodu zasilającego.

- Upewnij się, że urządzenie nie jest narażone na działanie wysokich temperatur, wilgoci lub kurzu.
- Wyczyść urządzenie za pomocą suchej szmatki.
- Nie należy dotykać urządzenia gołymi rękoma podczas pracy (obudowa staje się bardzo gorąca). Odczekaj przynajmniej 5 minut, aż urządzenie ostygnie.
- To urządzenie jest przeznaczone wyłącznie do użytku w pomieszczeniach, nie należy używać tego sprzętu w bezpośrednim sąsiedztwie płynu (nie dotyczy specjalnych urządzeń zewnętrznych - w takim przypadku należy przestrzegać specjalnych instrukcji podanych poniżej). Nie należy wystawiać tego urządzenia na łatwopalne materiały, płyny lub gazy.
- Jeśli urządzenie zostało narażone na drastyczne wahania temperatury (np. Po transporcie), nie włączaj go natychmiast. Powstająca woda kondensacyjna może uszkodzić urządzenie. Pozostaw urządzenie wyłączone, aż osiągnie temperaturę pokojową.
- Nigdy nie próbuj ominąć przełącznika termostatycznego ani bezpieczników.
- Nie demontuj ani nie modyfikuj urządzenia.
- Do wymiany używać bezpieczników / żarówek tego samego typu i tylko tego samego typu.
- Naprawy, serwisowanie i podłączenie elektryczne muszą być wykonywane przez wykwalifikowanego technika.
- Temperatura otoczenia musi zawsze wynosić od -5°C do $+45^{\circ}\text{C}$.
- Jeśli urządzenie jest eksploatowane w inny sposób niż opisany w niniejszej instrukcji, produkt może ulec uszkodzeniu, a gwarancja traci ważność.
- Plastikowe torby muszą być przechowywane w miejscu niedostępnym dla dzieci.
- Urządzenie musi być zainstalowane w miejscu niedostępnym dla dzieci. Nigdy nie pozostawiaj urządzenia bez nadzoru.



Ten symbol umieszczony na produkcie lub jego opakowaniu oznacza, że produkt ten nie może być traktowany jako odpad komunalny. Zamiast tego należy przekazać go do odpowiedniego punktu zbiórki w celu recyklingu sprzętu elektrycznego i elektronicznego.

Zapewniając prawidłową utylizację tego produktu, pomagasz zapobiegać potencjalnym negatywnym konsekwencjom dla środowiska i zdrowia ludzkiego, które mogłyby zostać spowodowane przez niewłaściwe postępowanie z odpadami tego produktu. Recykling materiałów pomoże chronić zasoby naturalne. Aby uzyskać bardziej szczegółowe informacje na temat recyklingu tego produktu, należy skontaktować się z lokalnym biurem obywatelskim, służbami oczyszczania miasta lub sklepem, w którym produkt został zakupiony.

ROZPAKOWYWANIE INSTRUKCJI

UWAGA! Natychmiast po otrzymaniu produktu ostrożnie rozpakuj karton, sprawdź zawartość, aby upewnić się, że wszystkie części są obecne i zostały odebrane w dobrym stanie. Natychmiast powiadomić dostawcę i zachować materiał do pakowania w celu sprawdzenia, czy jakkolwiek część wygląda na uszkodzoną przez przesyłkę lub samo opakowanie wykazuje oznaki niewłaściwego postępowania. Zapisz pakiet i wszystkie materiały do pakowania. W przypadku, gdy produkt musi zostać zwrócony do fabryki, ważne jest, aby produkt został zwrócony w oryginalnym opakowaniu fabrycznym i opakowaniu.

Jeśli urządzenie zostało wystawione na drastyczne wahania temperatury (np. Po transporcie), nie włączaj go natychmiast. Powstająca woda kondensacyjna może uszkodzić twoje urządzenie. Pozostaw urządzenie wyłączone, aż osiągnie temperaturę pokojową.

ZASILACZ

Na etykiecie z tyłu produktu jest wskazany jakiego typu zasilacz musi być podłączony. Sprawdź, czy napięcie w sieci jest właściwe do użytego zasilacza. Każde inne napięcie niż podane, może sprawić nieodwracalne uszkodzenie oświetlenia. Produkt musi być również bezpośrednio podłączony do sieci zasilającej i wtedy dopiero może być używany. Brak ściemniacza lub regulowany zasilacz.

Urządzenie ma wbudowane wyjście zasilania. W zależności od warunków w lokalu kilka urządzeń może być połączonych poprzez wejście i wyjście złącza zasilania. Podłącz w rzędzie maksymalnie cztery jednostki (jeśli używasz zasilania 230V/16A). Użyj zatwierdzonego, trzy-żyłowego kabla o przekroju co najmniej 1.5 mm². Należy przestrzegać instrukcji montażu producenta i oznaczenia kolorami kabla. Nie wyłączaj urządzenia poprzez odkręcanie złącza zasilania, ale użyj włącznika/wyłącznika zasilania lub schuko!

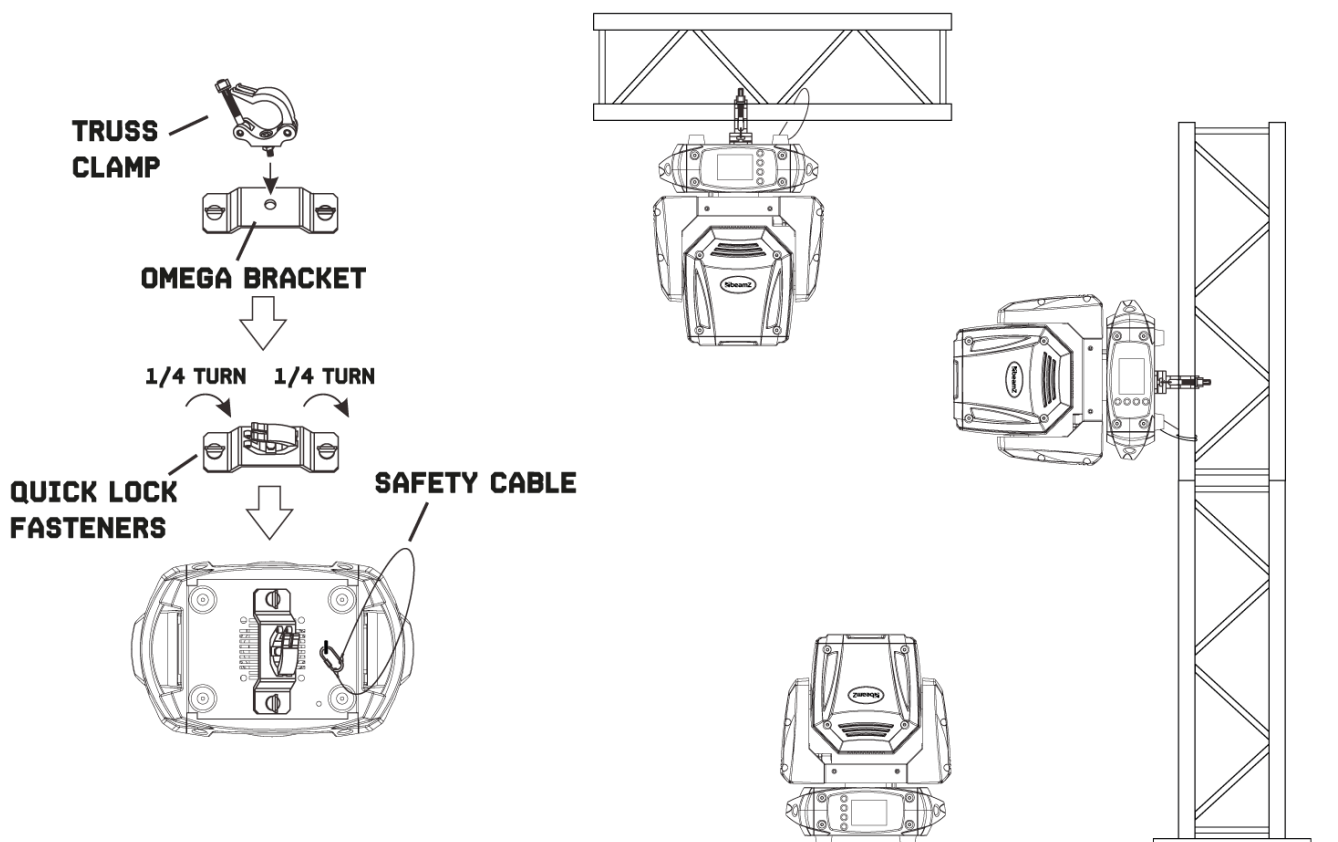


Zawsze podłączaj urządzenie do zabezpieczonego obwodu (wyłącznik lub bezpiecznik). Upewnij się, że urządzenie ma odpowiednie uziemienie elektryczne, aby uniknąć ryzyka porażenia prądem lub pożaru.

MOCOWANIE

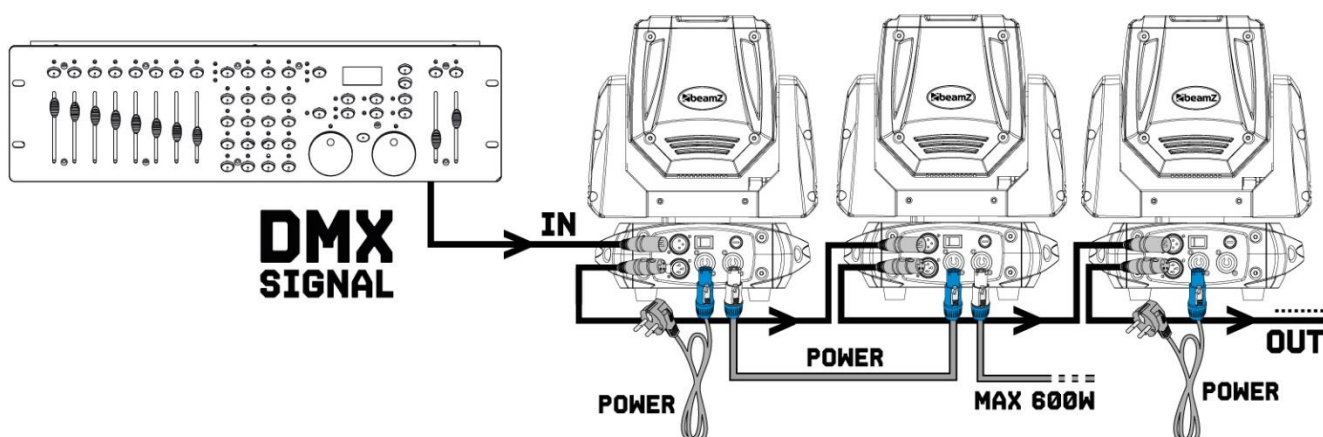
Oprawa powinna być ustawiona na stabilnej i równej powierzchni. Za pomocą elementów mocujących płyty podstawowej, urządzenie można również zamontować do góry nogami do kratownicy, patrz poniższy rysunek. Do zamocowania wymagane są certyfikowane zaciski o prawidłowym obciążeniu roboczym. Zgodnie z rysunkiem, śruby szybkiego blokowania wsporników omega są umieszczane w otworach przewidzianych w płycie podstawy i obracane zgodnie z ruchem wskazówek zegara aż do zablokowania (do zatrzymania). Miejsce montażu musi mieć wystarczającą stabilność i być w stanie utrzymać ciężar 10-krotności wagi urządzenia. Zabezpiecz urządzenie za pomocą linki zabezpieczającej, aby nie spadło.

Podczas wykonywania jakiegokolwiek instalacji należy zawsze przestrzegać europejskich i krajowych wytycznych dotyczących olinowania, wiązarów i wszystkich innych kwestii związanych z bezpieczeństwem. Zawsze pozwól, aby instalacja została sprawdzona przez autoryzowanego dealera!

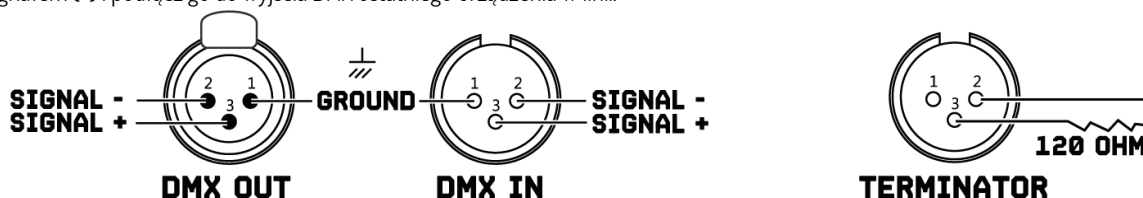


KONTROLA DMX512

Jeśli używasz standardowego kontrolera DMX, możesz podłączyć wyjście DMX kontrolera bezpośrednio do wejścia DMX pierwszego urządzenia w łańcuchu DMX. Zawsze podłącz wyjście jednego urządzenia do wejścia następnego urządzenia, aż wszystkie urządzenia zostaną podłączone.



Uwaga: Na ostatnim urządzeniu musisz mieć linię DMX z rezystorem końcowym. Weź złącze XLR i przyłutuj rezystor 120 Ohm między sygnałem (-) a sygnałem (+) i podłącz go do wyjścia DMX ostatniego urządzenia w linii.



RF PILOT

- Wybierz typ urządzenia, które będziesz kontrolować:
 - Naciśnij kilkakrotnie 3 razy przycisk "Spot", aby aktywować Fuze Spot Series
 - Naciśnij kilkakrotnie 3 razy przycisk "Beam", aby aktywować Beam Spot Series
 - Naciśnij kilkakrotnie 3 razy przycisk "Wash", aby aktywować Wash Spot Series
- Naciśnij przycisk "Dimmer", aby wyregulować jasność. Naciśnij bezpośrednio przycisk "+" lub "-", aby uzyskać pożądane ustawienia.
- Naciśnij przycisk "Strobe", aby włączyć / wyłączyć efekt stroboskopowy. Naciśnij bezpośrednio przycisk "+" lub "-", aby uzyskać pożądane ustawienia.
- Naciśnij przycisk "M", aby wyregulować prędkość programu dźwiękowego lub dostosować czułość sterowania dźwiękiem.
- Wciśnij przycisk "S", aby ustawić prędkość pościgu lub dostosować czułość sterowania głosem.
- Naciśnij przycisk "1-9", aby wybrać jeden z programów automatycznych lub aktywowanych dźwiękiem.
- Naciśnij przycisk "R", aby zresetować wszystkie.
- Naciśnij przycisk "DMX", aby wybrać sterowanie za pomocą przewodowego sygnału DMX.



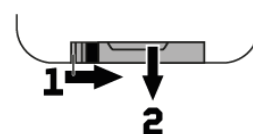
Wskazówki:

- Po włączeniu funkcji RF lampa nie będzie sterować sygnałem DMX, a lampa będzie w stanie sterowania RF. Każdy pilot zdalnego sterowania może kontrolować tylko serię urządzeń w tym samym czasie.
- Gdy seria Wash otworzy "Dimmer" i "Strobe", musi nacisnąć przycisk numeryczny, aby rozjaśnić odpowiedni kolor. W tym trybie przycisk numeryczny może przełączać tylko koło kolorów, ale nie odpowiada kolorowi klucza dla serii Spot i Beam.
- Aby wyłączyć funkcję RF, dostępne są następujące metody:
 - Wybierz wymagany tryb wprowadzania sygnału, "DMX" może wyjść z funkcji RF.
 - Przełącz na inną serię urządzeń "Spot", "Beam", "Wash".
 - Naciśnij przycisk menu na panelu wyświetlacza.



Pilot zdalnego sterowania jest dostarczany wraz z baterią. Aby uniknąć rozładowywania baterii podczas magazynowania sprzętu, pomiędzy baterią a stykami pilota znajduje się folia. Przed pierwszym użyciem należy wyciągnąć folię znajdującą się na dole pilota.

Jeśli zasięg działania pilota spada, wymień baterię. W tym celu, z tyłu urządzenia, przesun w prawo małą plastik (1) oraz w tym czasie wyciągnij tackę baterii (2). Do używania pilota wymagana jest jedna bateria CR 2025 3V. Podczas wkładania baterii <+> powinien być na górze.



CZYSZCZENIE

Nagromadzenie kurzu, brudu i innych cząstek unoszących się w powietrzu zmniejszy moc świetlną urządzenia. Uniemożliwi to również prawidłowe chłodzenie urządzenia, co skróci żywotność urządzenia. Szybkość gromadzenia się zanieczyszczeń będzie się różnić w zależności od czynników środowiskowych, takich jak pył unoszący się w powietrzu, użycie maszyn do dymu, przepływ powietrza z systemów wentylacyjnych itp. Wentylatory chłodzące urządzenia przyspieszą gromadzenie się, a wszelkie cząstki dymu obecne w atmosferze zwiększą tendencję aby brud się zatkał.

Aby uzyskać najlepszą wydajność i żywotność urządzenia, należy go regularnie sprawdzać i czyścić, gdy tylko pojawią się oznaki gromadzenia się brudu.

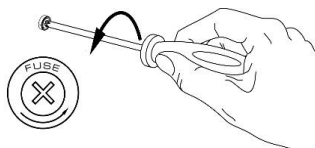
Oceniaj środowisko operacyjne za każdym razem, gdy zaczniesz korzystać z urządzenia. W warunkach dużego zapylenia lub zadymienia, sprawdzaj urządzenie po kilku godzinach i sprawdzaj często, czy urządzenie może przyciągnąć brud szybciej, niż się spodziewasz. Sporządź harmonogram czyszczenia, który zapewni, że brud zostanie usunięty, zanim zacznie się gromadzić.

Skorzystaj z następujących wskazówek:

- Odłącz urządzenie od zasilania i pozwól mu całkowicie ostygnąć przed czyszczeniem.
- Do czyszczenia urządzenia nie należy używać rozpuszczalników, materiałów ściernych ani żadnych innych agresywnych środków.
- Odkurz lub użyj sprężonego powietrza o niskim ciśnieniu, aby usunąć kurz i luźne cząsteczki z powierzchni i otworów wentylacyjnych. Zapobiegaj obracaniu się łopatek wentylacyjnych przed skierowaniem odkurzacza lub strumienia powietrza do wentylatora, lub możesz obracać wentylator zbyt szybko i go uszkodzić.
- Czyść elementy szklane wycierając delikatnie miękką, czystą, niestrzępiącą się szmatką zwilżoną słabym roztworem detergentu. Umieść roztwór na szmatce, a nie na czyszczonej powierzchni. Unikaj tarcia szklanych powierzchni. Jeśli cząstki przyklejają się do szkła, spróbuj je podnieść, kilkakrotnie dotykając bawełnianym wacikiem lub zwilżoną, niepozostawiającą włókien ściereczką.
- Przed ponownym użyciem należy osuszyć urządzenie miękką, czystą, niestrzępiącą się szmatką lub sprężonym powietrzem pod niskim ciśnieniem.

WYMIANA BEZPIECZNIKA

Jeśli bezpiecznik jest uszkodzony, należy wymienić bezpiecznik tego samego rodzaju i wartości. Przed wymianą bezpiecznika odłącz przewód zasilający.



Procedura:

- Krok 1: Otwórz uchwyt bezpiecznika na tylnym panelu za pomocą śrubokręta montażowego.
- Krok 2: Usuń stary bezpiecznik z uchwytu bezpiecznika.
- Krok 3: Zainstaluj nowy bezpiecznik w uchwycie bezpiecznika.
- Krok 4: Wymień uchwyt bezpiecznika w obudowie.

ROZWIĄZYWANIE PROBLEMÓW

Poniższa lista kontrolna może pomóc w rozwiązaniu problemu w mało prawdopodobnym przypadku wystąpienia problemu podczas korzystania z produktu:

Objaw	Możliwa przyczyna	Sugerowane działanie
Brak odpowiedzi z urządzenia.	Brak zasilania urządzenia.	Sprawdź, czy zasilanie jest włączone. Sprawdź kable i połączenia. Wymień średni bezpiecznik lub skontaktować się z pomocą techniczną Beamz lub autoryzowanym partnerem serwisowym Beamz. Nie zdejmuj osłon podstawy lub jarzma. Nie należy wymieniać bezpieczników ani przeprowadzać napraw lub usług, które nie są opisane w niniejszej instrukcji obsługi, chyba że posiadasz autoryzację od Beamz lub autoryzowanego partnera serwisowego Beamz.
	Przepalony bezpiecznik lub błąd wewnętrzny.	
Urządzenie resetuje się prawidłowo, ale nie reaguje (lub nie reaguje poprawnie) na kontroler.	Kontroler nie jest podłączony.	Podłącz kontroler.
	Zła linia DMX.	Sprawdź połączenia i kable. Popraw nieprawidłowe połączenia. Napraw lub wymień uszkodzone kable.
	Linia DMX nie ma oporności końcowej.	Włóż wtyczkę terminatora DMX do gniazda wyjścia danych ostatniego urządzenia na linii DMX.
	Niepoprawne adresowanie urządzeń.	Sprawdź adres urządzenia i ustawienia trybu DMX.
	Urządzenie jest wadliwe i zakłóca transmisję danych na linii DMX.	Odłącz złącza DMX IN i OUT i podłącz je bezpośrednio, aby ominąć jedno urządzenie naraz, aż do odzyskania normalnej pracy. Zleć wadliwe urządzenie serwisowemu upoważnionemu technikowi.
	Pin 2 i 3 są odwrócone w połączeniu XLR.	Sprawdź połączenia i kable. Zamontuj kabel zmiany fazy pomiędzy urządzeniami lub sworzniem zamieniającym 2 i 3 w urządzeniu, które zachowuje się chaotycznie.
Błąd po zresetowaniu urządzenia.	Efekt wymaga mechanicznej regulacji.	Sprawdź wersję oprogramowania i komunikaty o błędach urządzenia, aby uzyskać więcej informacji. Skontaktuj się z Beamz lub autoryzowanym partnerem serwisowym Beamz.
Strumień świetlny odcina się z przerwami.	Urządzenie zbyt gorące.	Pozwól urządzeniu ostygnąć. Zmniejsz temperaturę otoczenia. Zapewnij swobodny przepływ powietrza wokół oprawy. W razie potrzeby wyczyść urządzenie.
	Diody LED uszkodzone	Odłącz urządzenie i skontaktuj się z pomocą techniczną Beamz lub autoryzowanym partnerem serwisowym Beamz.
	Ustawienia zasilania nie pasuje do lokalnego napięcia przemiennego i częstotliwości.	Odłącz urządzenie. Sprawdź ustawienia i poprawić w razie potrzeby.

CONTROL MENU

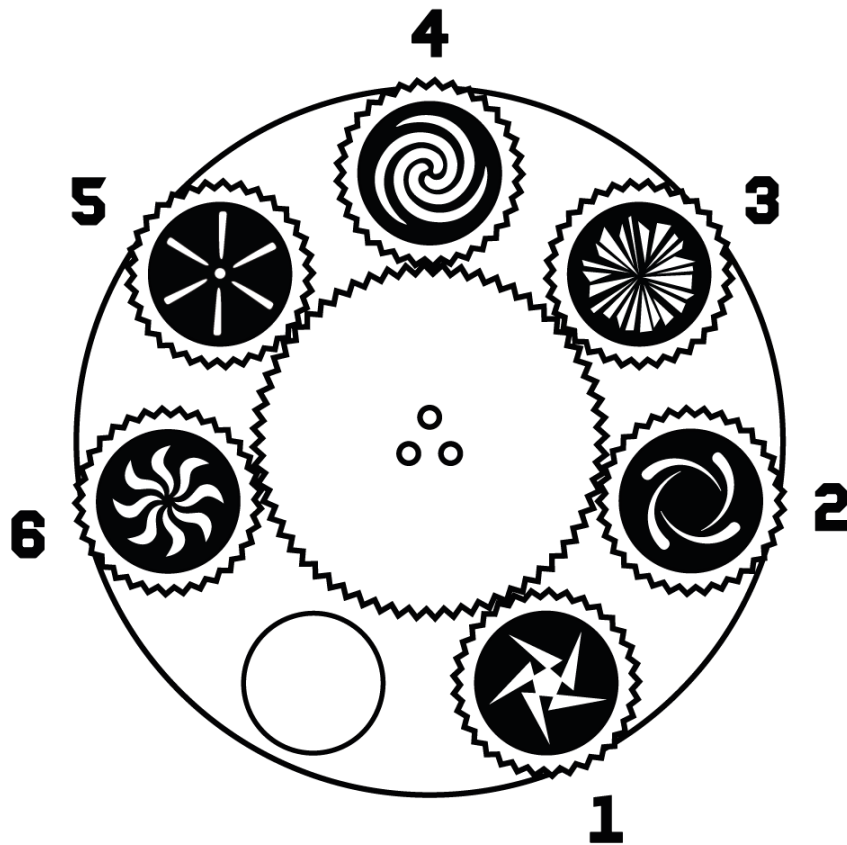
MENU	DESCRIPTION		
DMX ADDR	A000-Axxx		DMX address setting
AUTO PLAY	Auto run	Internal program 1-9	Master/Alone
	Music Run	Internal program 1-9	Master/Alone
RESET	ALL Reset	On / Off	ALL Reset
	Scan Reset	On / Off	Scan Reset
	Color Reset	On / Off	Color Reset
	GOBO Reset	On / Off	GOBO Reset
	Other Reset		Other Reset
REVERSE PAN	On / Off		Reverse Pan
REVERSE TILT	On / Off		Reverse Tilt
SPECIAL	To default	On / Off	Reset Default
	Calibrat	Code	Calibration code
		PAN, TILT, Color Wheel, Gobo Wheel 1, Gobo Wheel 2, Focus, Prism	Calibration of the channel
	Temperatur	xxx °C / F	Current temperature
	Manual Ctrl	PAN = xxx	Manual control
	Mic SET	0-99%	Sensitivity of mic
	RF Remote	On / Off	Switch remote control function on /off
DMX MODE	13CH MODE		Standard Mode
	11CH MODE		Basic Mode
SCAN DEGREE	PAN Degree	630° / 540° / 360°	Select TILT Degree, default is 540°
	TILT Degree	270° / 180° / 90°	Select PAN Degree, default is 270°
VERSION	Vx.xx		Software version

DMX CHANNELS

16 BIT	8 BIT	FUNCTION	VALUE	DESCRIPTION
1	1	PAN	000-255	PAN movement
2		PAN FINE	000-255	Fine control of Pan movement
3	2	TILT	000-255	Tilt movement
4		TILT FINE	000-255	Fine control of Tilt movement
5	3	COLOR WHEEL	000-014	Open /White
			015-029	Color 1
			030-044	Color 2
			045-059	Color 3
			060-074	Color 4
			075-089	Color 5
			090-104	Color 6
			105-119	Color 7
			120-127	Color 8
			128-189	Forwards rainbow effect from fast to slow
			190-193	Color rotation stop
			194-255	Backwards rainbow effect from slow to fast
6	4	GOBO WHEEL	000-009	Open
			010-019	Gobo 1
			020-029	Gobo 2
			030-039	Gobo 3
			040-049	Gobo 4
			050-059	Gobo 5
			060-069	Gobo 6
			070-089	Gobo 1 shake, slow to fast
			090-109	Gobo 2 shake, slow to fast
			110-129	Gobo 3 shake, slow to fast
			130-149	Gobo 4 shake, slow to fast
			150-169	Gobo 5 shake, slow to fast
			170-189	Gobo 6 shake, slow to fast
			190-255	Rot. gobo wheel cont. rotation slow to fast
7	5		SHUTTER	000-031
		032-063		Shutter open
		064-095		Strobe, slow to fast
		096-127		Shutter open
		128-144		Pulse-effect in sequences, slow to fast
		145-159		Pulse-effect in sequences, fast to slow
		160-191		Shutter open
		192-223		Strobe random, slow to fast
		224-255		Shutter open
8	6	DIMMER	000-255	Intensity 0-100%
9	7	FOCUS	000-255	In (near) to out (far)
10	8	PRISM	000-005	Prism OFF
			006-255	Prism ON
11	9	GOBO / PRISM ROTATION	000-003	No function
			004-127	Forwards gobo & prism rotation from fast to slow
			128-131	Gobo / Prism rotation, stop
			132-255	Backwards gobo & prism rotation from slow to fast

12	10	PAN / TILT SPEED	000-225	Max to min speed
			226-235	Blackout by movement
			236-245	Blackout by wheel changing
			246-255	No function
13	11	SPECIAL FUNCTIONS	000-019	No function
			020-029	No function
			030-039	No function
			040-079	No function
			080-084	All Motor reset
			085-087	Scan motor reset
			088-090	Colors motor reset
			091-093	Gobo motor reset
			094-096	No function
			097-099	Other motor reset
			100-119	Internal program 1
			120-139	Internal program 2
			140-159	Internal program 3
			160-179	Internal program 4
			180-199	Internal program 5
			200-219	Internal program 6
			220-239	Internal program 7
240-255	Internal Sound program 1			

GOBO WHEEL



TECHNICAL SPECIFICATIONS

Light source	Single Color LED
LED Colors	White
LED power (single LED)	75W
Quantity of LEDs	1
Color wheel	8 Colors + open
Dispersion	12°
Illuminance	70.000lx@1m
Head movement: Pan	630
Head movement: Tilt	270
Rotating gobos: Quantity	6
Gobo shake	Yes
Interchangeable gobos	Yes
Gobo dimensions	15.98mm
Prisma 1	3 Facet
Flash rate per second	1 - 11Hz
Modes	Automatic programs, DMX, Manual, Master/Slave
Sound to light mode	Yes
DMX channels	11, 13
DMX connection	3-pin XLR
Display	LCD
IP rating	IP20
Cooling	Temperature controlled fan
Power plug	Power-connector
Power consumption	1.6 - 0.8A
Power supply	100-240VAC 50/60Hz
Dimensions (L x W x H)	245 x 230 x 290
Weight	5,30
Included accessories	Remote control (wireless), Mounting bracket, Safety cord, Power cable, DMX cable

Design and product specifications are subject to change without prior notice.

The products referred to in this manual is conforming European and UK legislation directives to which they are subject:

European Union

Tronios B.V.,
Bedrijvenpark Twente Noord 18,
7602KR Almelo, The Netherlands

2014/35/EU
2014/30/EU
2011/65/EC



United Kingdom

Tronios Ltd.,
130 Harley Street,
London W1G 7JU, United Kingdom

S.I. 2016:1101
S.I. 2016:1091
S.I. 2012:3032





A series of horizontal dotted lines for writing, spanning the width of the page.



A series of horizontal dotted lines spanning the width of the page, providing a guide for handwriting practice.



BEAMZ

**YOUR FUTURE
YOUR SKILLS
YOUR PLATFORM
YOUR PARTY
YOUR EVENT**



is a leading developer of lighting products, including intelligent DMX moving heads, wireless battery operated DMX effects, static washes, sound-activated club effects, strobes & blacklights, LED lighting, fog and special effects machines, lasers and indoor and outdoor architectural lighting, as well as lighting controllers and protective bags.

