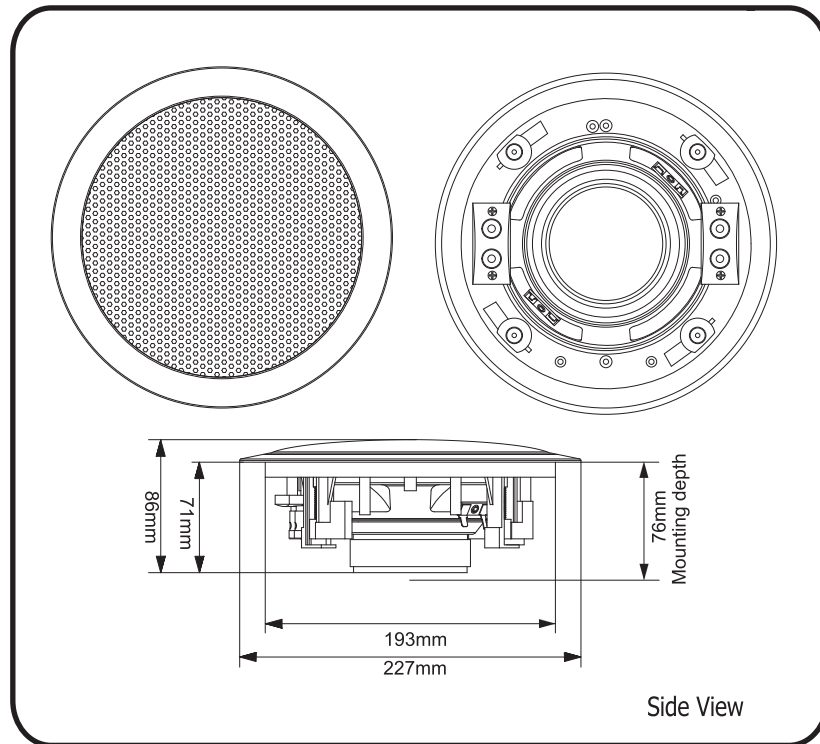




952.537UK

2 WAY CEILING SPEAKER



www.avsl-adastra.com

952.537UK

Technical Specifications

Rated power	25 Watts RMS + 25 Watts RMS
Driver impedance	2x8 Ohms
Effective frequency range (BS6840)	70-20 KHz
S.P.L.@1m, 1watt, dB, Test Signal Bandwidth 100Hz - 10KHz	85 Hz
S.P.L.@ Full power Octave Bandwidth	82 dB (± 2 dB)
Acoustic Power (dB, PWL@1 watt) 1k/2kHz	80/80 dB
Overall diameter	Φ227 mm
Net weight	1.4 Kgs
Colour/Finish	White
Material	Plastic Baffle ABS with UV inhibitors Metal Driver Chassis & Grille
Mounting Depth	76mm
Cut-out	Φ193mm

